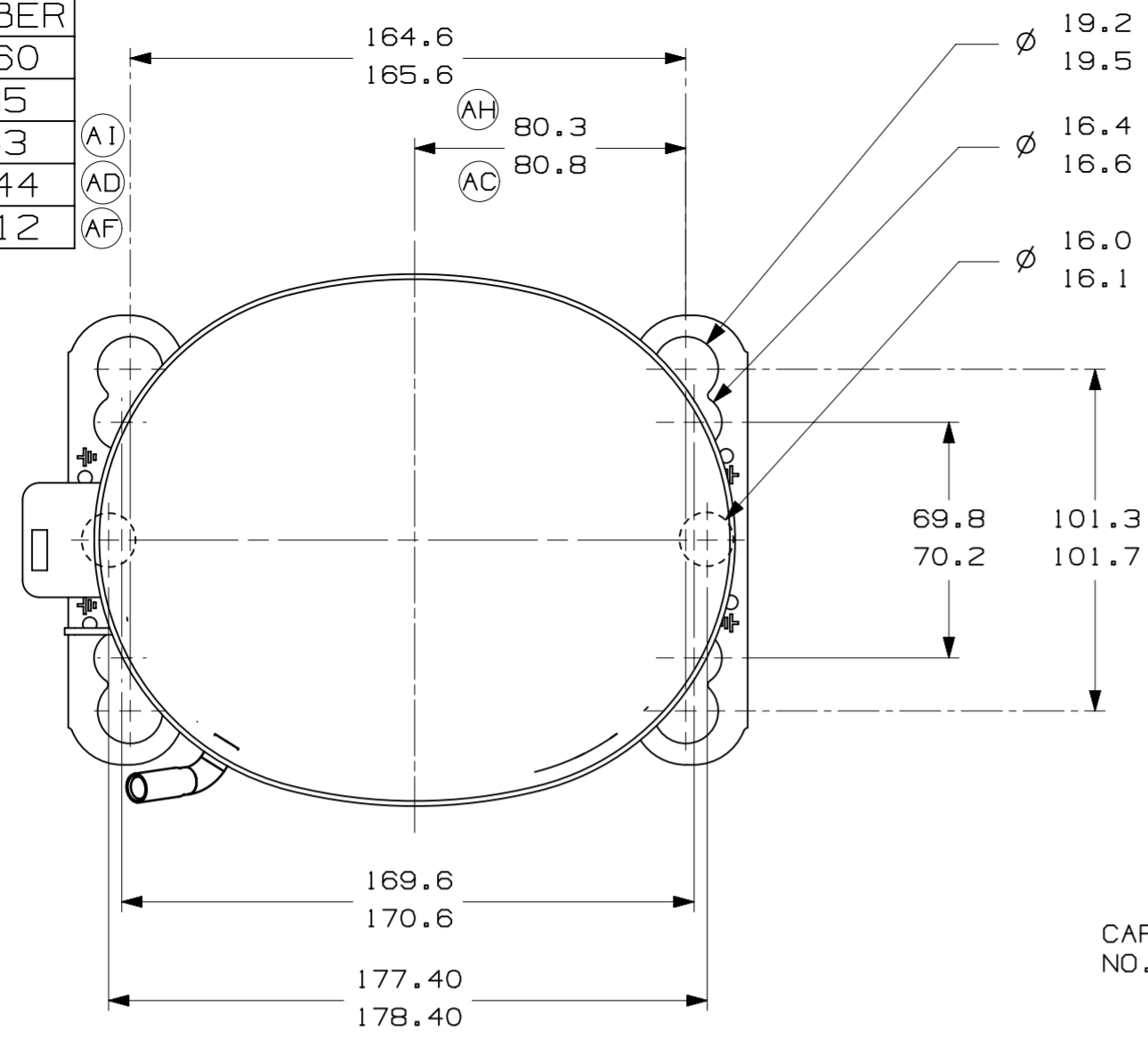
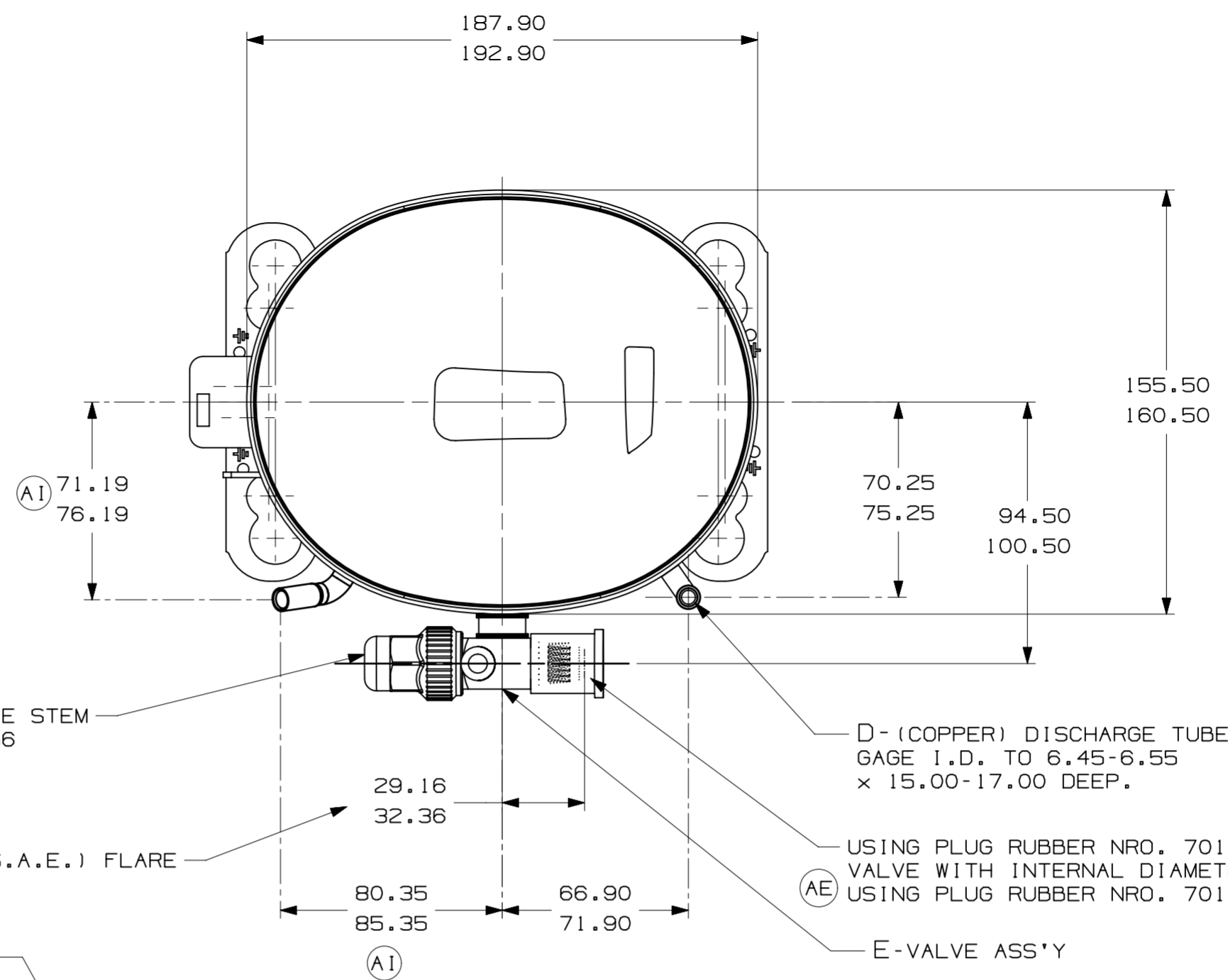


ITEM	PART NUMBER
A	320-10260
B	14963285
C	14947663
D	580-10244
E	BRA156512



- AUXILIARY VIEW -
FASTENING DIMENSIONS



CAP VALVE STEM
NO. 40856

END OF (3/8" S.A.E.) FLARE

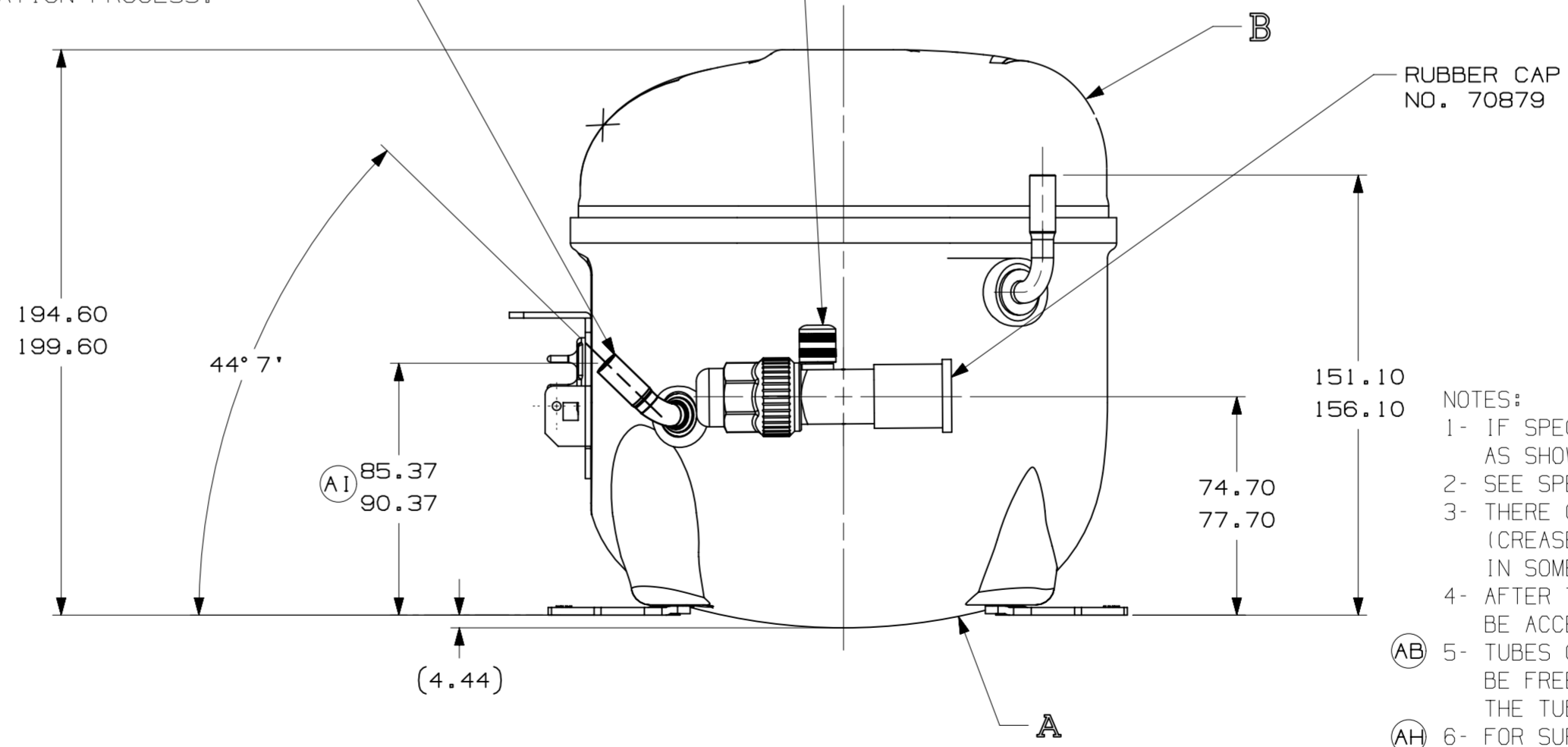
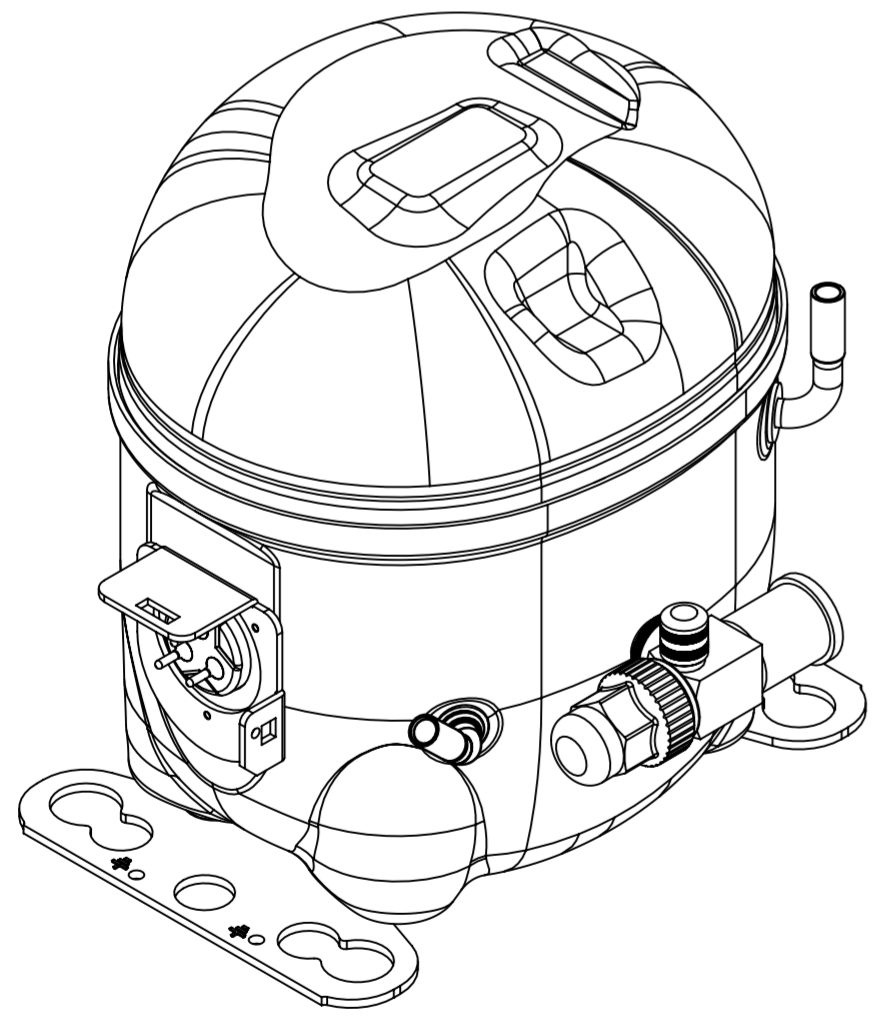
D - (COPPER) DISCHARGE TUBE
GAGE I.D. TO 6.45-6.55
x 15.00-17.00 DEEP.

USING PLUG RUBBER NRO. 70111-2 AND
VALVE WITH INTERNAL DIAMETER (8mm)
USING PLUG RUBBER NRO. 70111-3.

E-VALVE ASS'Y

C - (COPPER) PROCESS TUBE
GAGE I.D. TO 6.45-6.55
x 15.00-17.00 DEEP.
THIS TUBE MUST BE SEALED
AND WELDED WITH PHOSCOPPER
IN THE FINAL AFTER THE
DEHYDRATION PROCESS.

SEALING COVER ASS'Y
NO. 14954368



- NOTES:
- IF SPECIFIED IN BM. ASSEMBLE PARTS AS SHOWN.
 - SEE SPEC. "A-B" & A-C FOR PROCESS.
 - THERE CAN BE NO CREASES IN THE TUBES. (CREASES ARE SIGNS OR MARKS THAT ARE IN SOMETHING THAT BENDS)
 - AFTER THE FOLDS IN THE TUBES, CANNOT BE ACCELERATED TO AREA EXCEEDING 30%.
 - TUBES OF SUCTION, DISCHARGE AND PROCESS MUST BE FREE OF INK ON 15.8mm (5/8") FROM TOP OF THE TUBES AS SPEC. T.P.Co. A-B4.
 - FOR SUPPLIER ENVIRONMENTAL REGULATORY REQUIREMENTS, SEE TECUMSEH GLOBAL SPEC. 08.

LT	LC	CHANGE	DATE
B5	ERA	91.60-96.60	EC102387 02-05-22 GM. R6.
D4	ERA	86.60-91.60	EC80775 14-02-18 PS. R6.
E5	ERA	72.10-77.10	EC70368 08-06-16 AMP. WC.
F8	ERA	14963573	EC70373 29-03-16 AMP. P.
A1			EC68976 08-03-16 PS. R6.
AH		ALTERADA MEDIDA (AREA ISENTA DE PINTURA)	EC59887 03-03-15 PS. R6.
AS		RETRADADO DETALHE (AREA ISENTA DE PINTURA)	EC49188 31-01-14 R6.
AF	F/7	REVISADO ITEM E ERA: BR31580-2	EC52840 AMP. R6. 13-08-13
AE	D/3	REVISADA NOTA DO PLUG 70111-2	EC47521 12/11/12 PS. R6.
AD	F/8	ALTERADO TUBO D ERA: 14963519	
AC	F/7	ALTERADA MEDIDA ERA: 80.3-80.8	
AB	A2	ADICIONADO NOTA	
AA		LIBERACAO	

THIRD ANGLE PROJECTION

UNITS: mm

DRAWING SIZE: A2

0. A SYMBOLS AS PROCEDURE 2.01.031 TECUMSEH OF BRAZIL

NAME: SALES COMPRESSOR

PART NO.: DCAE215

SCALE: 1:2

PAGE: 1/1

DATE: 21/08/12

REF.

FAMILY: AE2