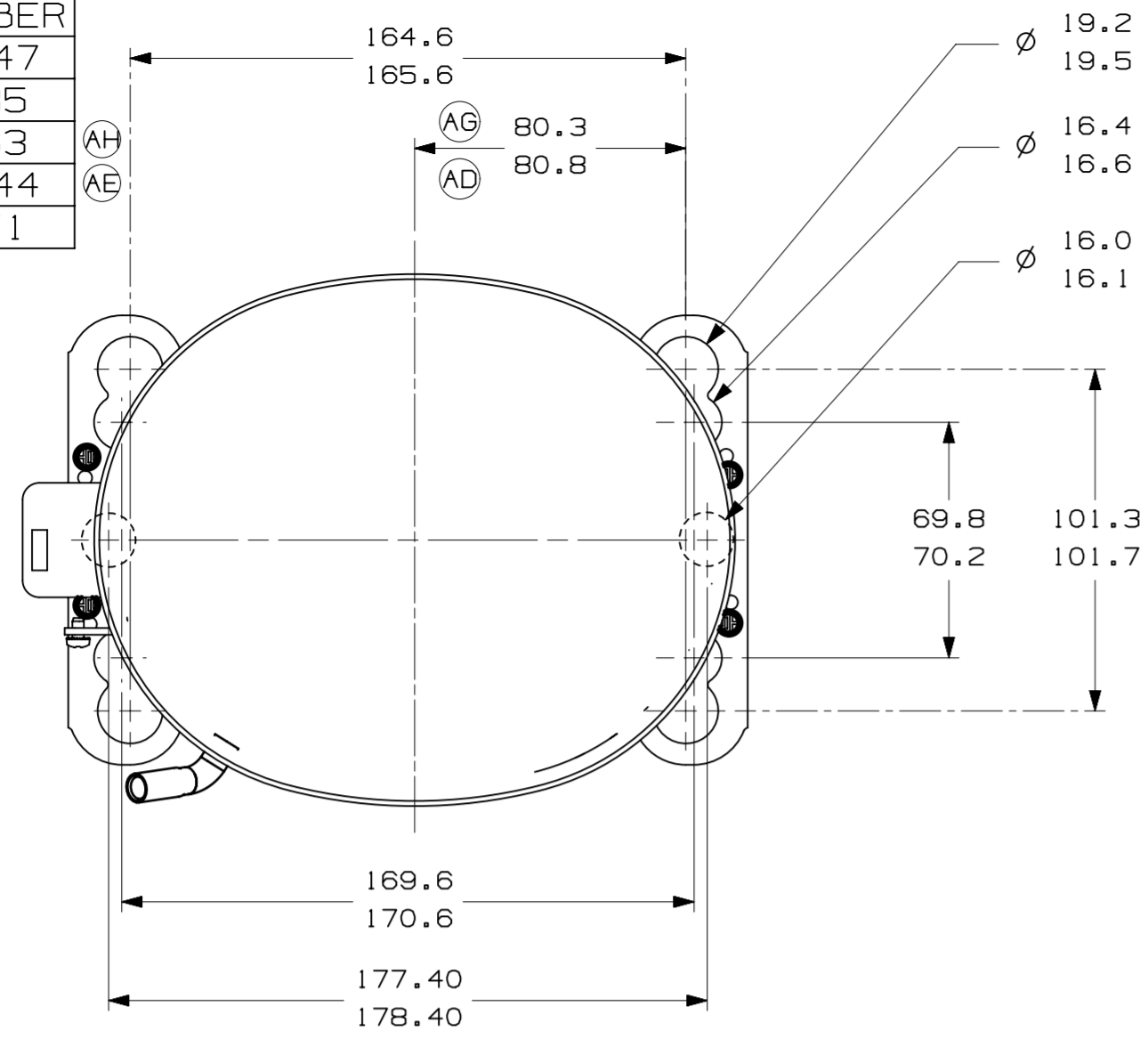
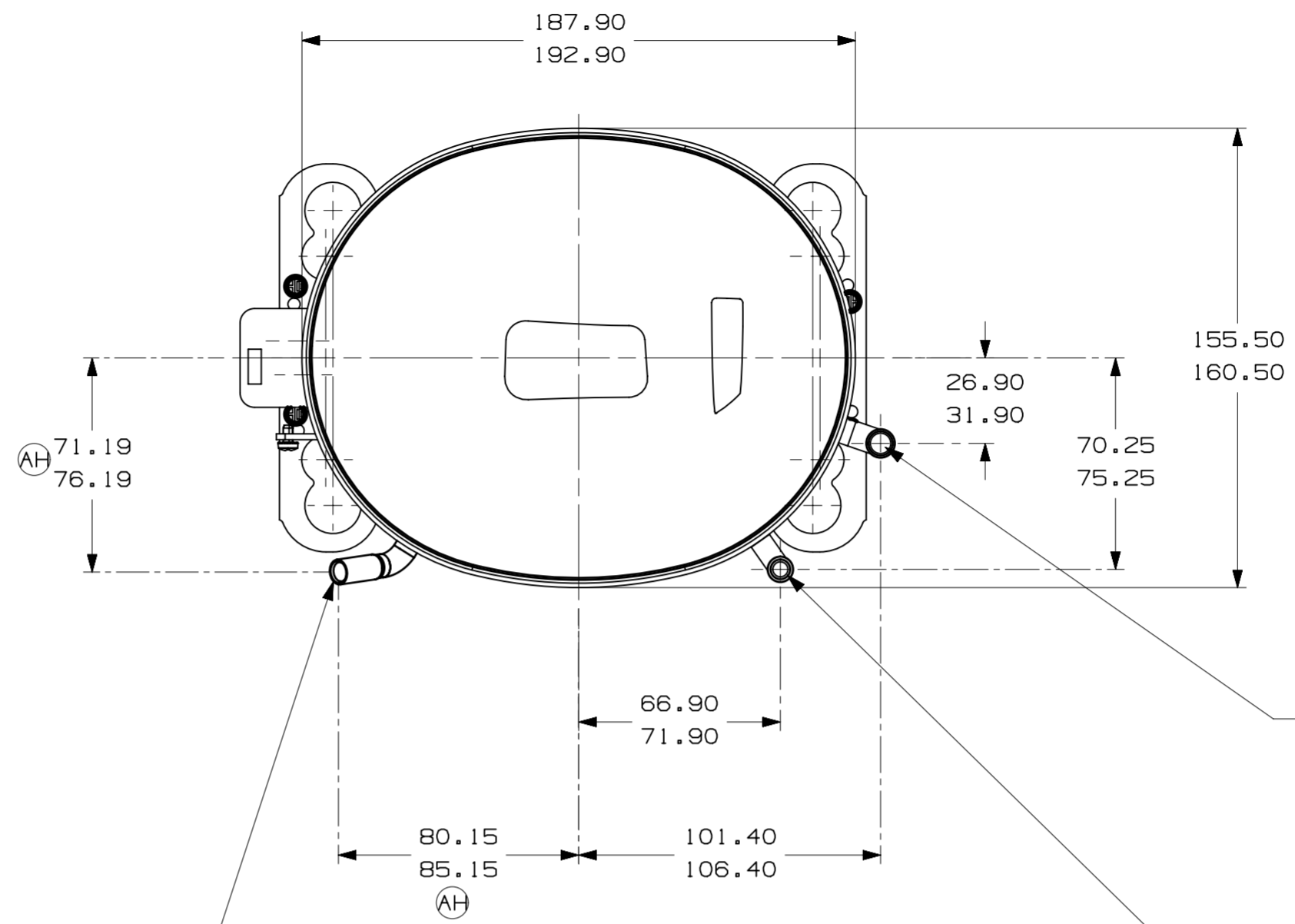


ITEM	PART NUMBER
A	320-10147
B	14963285
C	14947663
D	580-10244
E	14963571



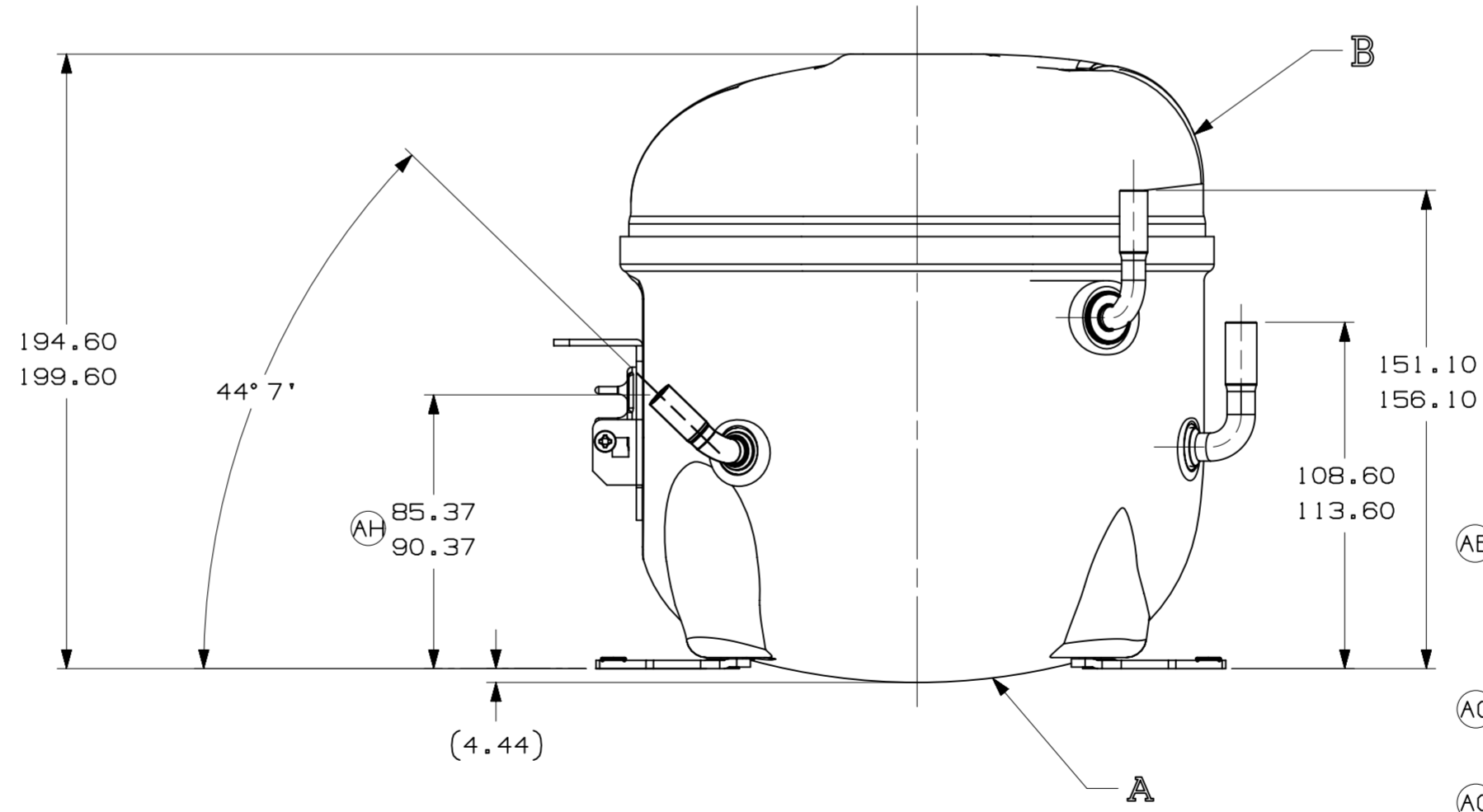
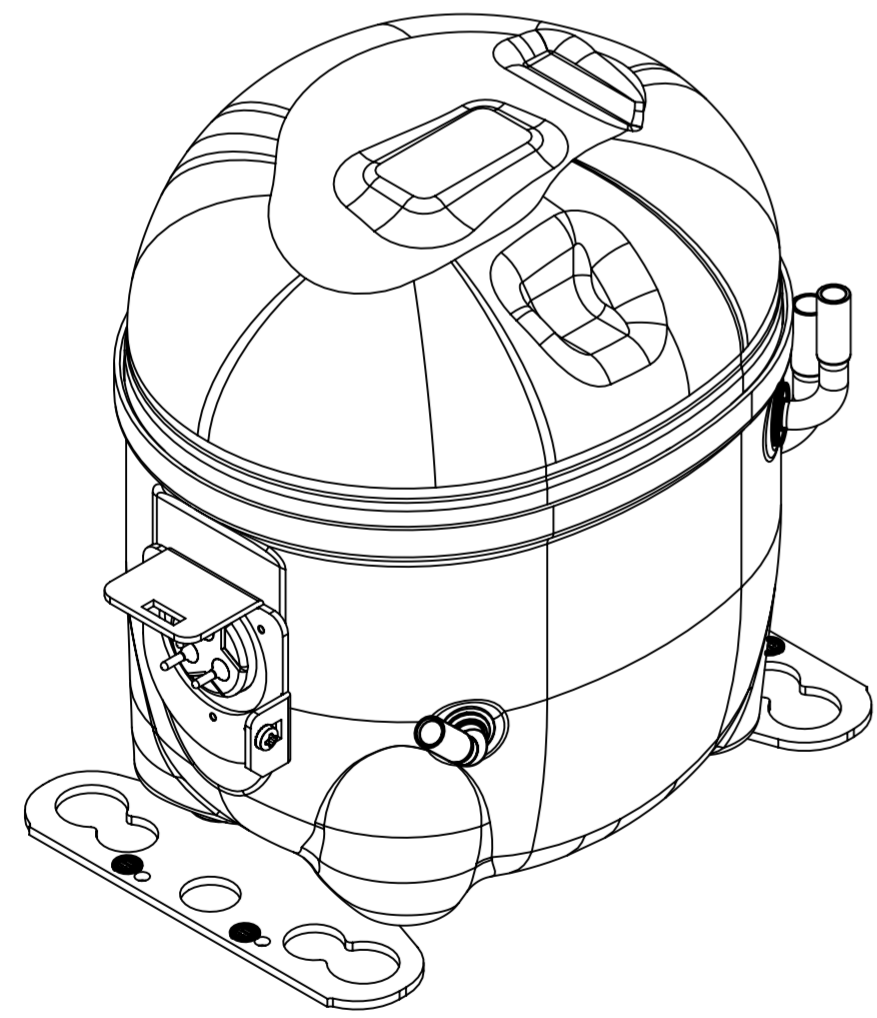
- AUXILIARY VIEW -
FASTENING DIMENSIONS



E- (COPPER) SUCTION TUBE
GAGE I.D. TO 8.00-8.10
× 15.00-17.00 DEEP.

C- (COPPER) PROCESS TUBE
GAGE I.D. TO 6.45-6.55
× 15.00-17.00 DEEP.

D- (COPPER) DISCHARGE TUBE
GAGE I.D. TO 6.45-6.55
× 15.00-17.00 DEEP.



- NOTES:
- 1- IF SPECIFIED IN BM. ASSEMBLE PARTS AS SHOWN.
 - 2- SEE SPEC. "A-B" & A-C FOR PROCESS.
 - 3- THERE CAN BE NO CREASES IN THE TUBES. (CREASES ARE SIGNS OR MARKS THAT ARE IN SOMETHING THAT BENDS)
 - 4- AFTER THE FOLDS IN THE TUBES, CANNOT BE ACCELERATED TO AREA EXCEEDING 30%.
 - 5- TUBES OF SUCTION, DISCHARGE AND PROCESS MUST BE FREE OF INK ON 15.8mm (5/8") FROM TOP OF THE TUBES AS SPEC. T.P.Co. A-B4.
 - 6- FOR SUPPLIER ENVIRONMENTAL REGULATORY REQUIREMENTS, SEE TECUMSEH GLOBAL SPEC. 08.

EC102387 02-05-22 GM. RG.	EC90775 14-02-18 PS. RG.	EC70388 08-06-16 AMP. WC.	EC59887 03-03-15 PS. RG.	EC49189 31-01-14 PS. RG.	EC52840 AMP. WC. 13-09-13	EC44036 08/06/12 PS. A.M.	EC40829 28/08/11 J.B. / A.M.	DATE	THIRD ANGLE PROJECTION		<h1>Tecumseh</h1>										
B5 ERA 91.60-96.60	D4 ERA 86.60-91.60	ES ERA 72.10-77.10	F8 ERA 14963573	A/3 ALTERADA MEDIDA (AREA ISENTA DE PINTURA) ERA: 82.30-82.80 F/7 E ACRESC. NOTA 6	AF --	AE F/B ALTERADO TUBO D ERA: 14963519	AD F/7 ALTERADA MEDIDA ERA: 80.30-80.80	AC A/2 ADICIONADO NOTA	A/2 REVISADA NOTAS 3 E 4			A/2 ACRESCENTADA NOTAS 3 E 4	AA LIBERACAO								
LT	LC	CHANGE	DATE	<small>THIS DRAWING OR PRINT (1) IS THE PROPERTY OF TECUMSEH DO BRASIL LTDA. AND CONTAINS PROPRIETARY AND CONFIDENTIAL INFORMATION BELONGING TO TECUMSEH DO BRASIL. IT IS TO BE USED ONLY FOR THE SPECIFIC CONDITION THAT APPLIES TO THE INFORMATION CONTAINED THEREON OR DISCLOSED OR MADE AVAILABLE TO OTHERS WITHOUT THE EXPRESS AND SPECIFIC WRITTEN CONSENT OF TECUMSEH DO BRASIL AND SHALL NOT BE COPIED OR IN ANY MANNER REPRODUCED OR TRANSMITTED IN ANY FORM OR BY ANY MEANS, ELECTRONIC OR MECHANICAL, INCLUDING PHOTOCOPYING, RECORDING, OR BY ANY INFORMATION STORAGE AND RETRIEVAL SYSTEM. ALL RIGHTS ARE RESERVED. (1/1) SHALL NOT BE COPIED OR IN ANY MANNER REPRODUCED OR TRANSMITTED IN ANY FORM OR BY ANY MEANS, ELECTRONIC OR MECHANICAL, INCLUDING PHOTOCOPYING, RECORDING, OR BY ANY INFORMATION STORAGE AND RETRIEVAL SYSTEM. ALL RIGHTS ARE RESERVED. (1/1) SHALL NOT BE COPIED OR IN ANY MANNER REPRODUCED OR TRANSMITTED IN ANY FORM OR BY ANY MEANS, ELECTRONIC OR MECHANICAL, INCLUDING PHOTOCOPYING, RECORDING, OR BY ANY INFORMATION STORAGE AND RETRIEVAL SYSTEM. ALL RIGHTS ARE RESERVED. (1/1)</small>								<small>DO NOT SCALE THIS DRAWING. ALL PERFORATED MATERIALS MUST NOT BE MAGNETIZED AS RECEIVED OR AT ASSEMBLY</small>	<small>UNITS: mm</small> <small>DRAWING SIZE: A2</small>	<small>0. A. SYMBOLS AS PROCEDURE 2.01.031 TECUMSEH OF BRAZIL</small> <small>★ = CATEGORY I</small> <small>▲ = CATEGORY II</small> <small>■ = CATEGORY III</small> <small>□ = CATEGORY IV</small>	<small>NAME</small> SALES COMPRESSOR	<small>PART NO.</small> DCAE212	<small>SCALE</small> 1:2	<small>PAGE</small> 1/1	<small>DATE</small> 12/09/11	<small>REF.</small>	<small>FAMILY</small> AE2