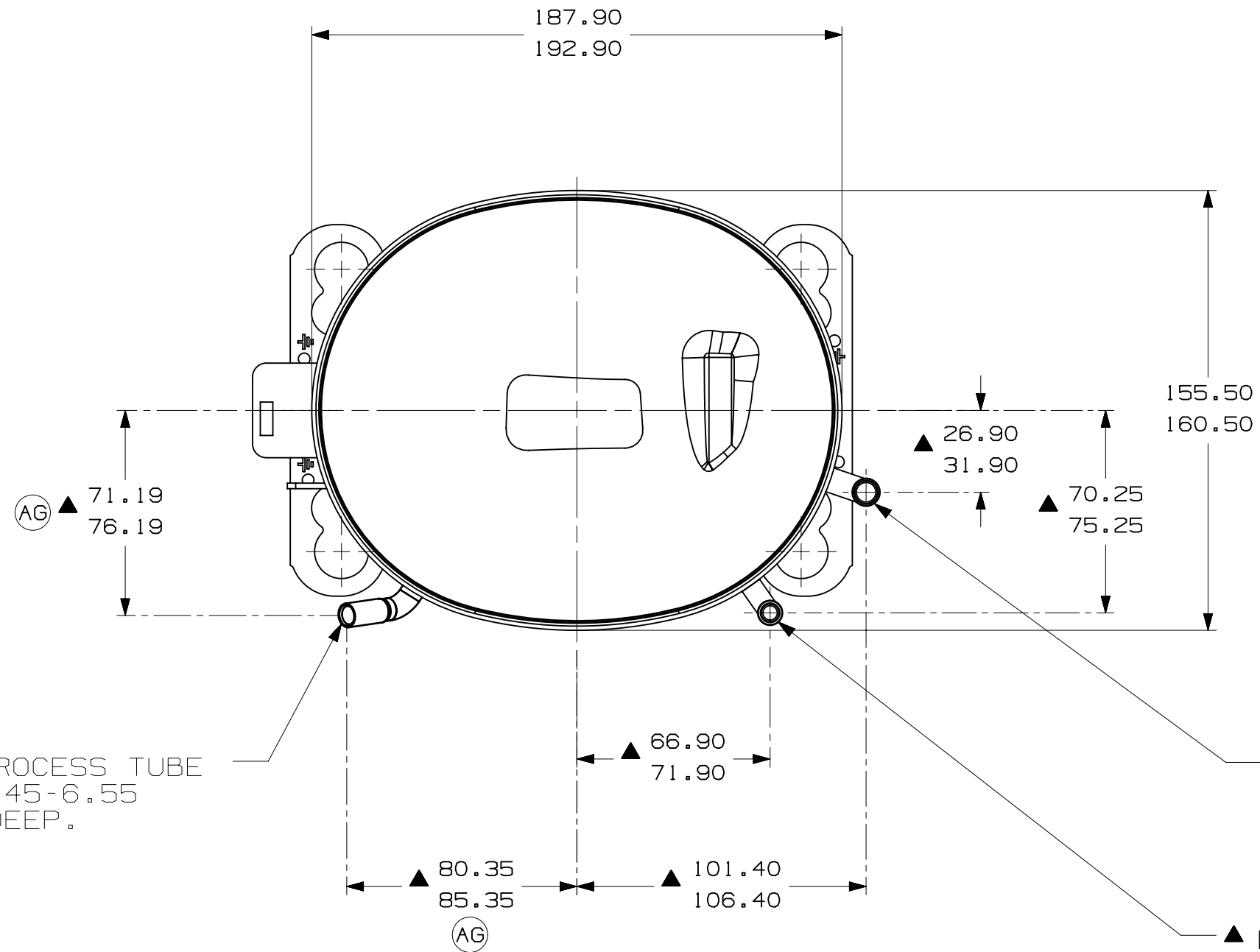


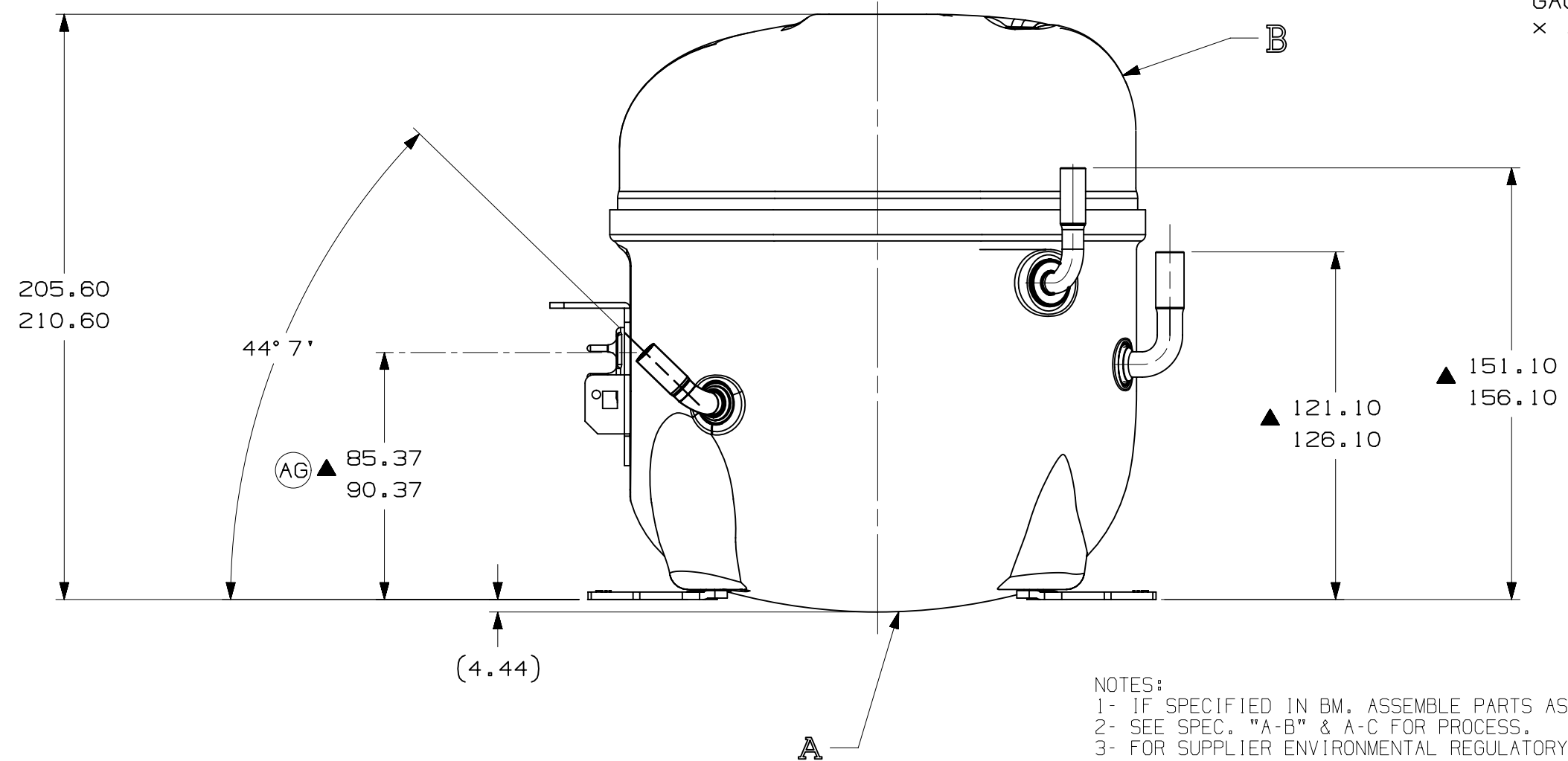
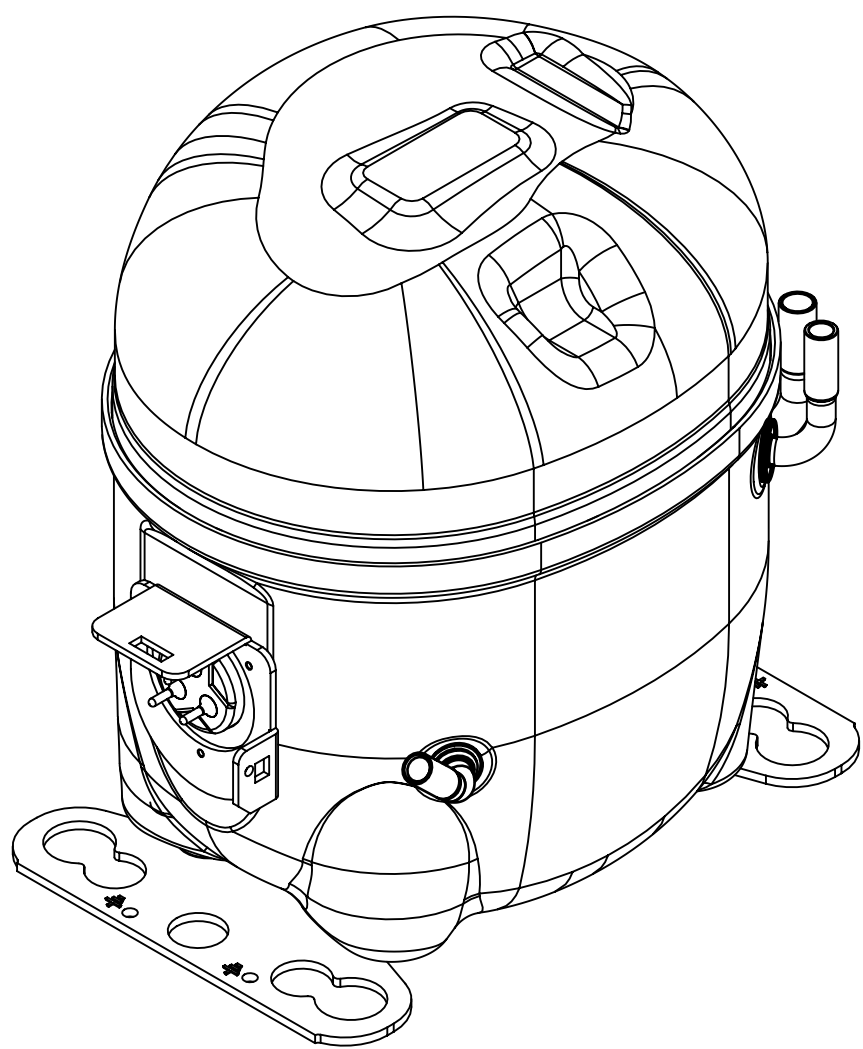
- AUXILIARY VIEW -  
FASTENING DIMENSIONS



▲ C - (COPPER) PROCESS TUBE  
GAGE I.D. TO 6.45-6.55  
× 15.00-17.00 DEEP.

▲ E - (COPPER) SUCTION TUBE  
GAGE I.D. TO 8.00-8.10  
× 15.00-17.00 DEEP.

▲ D - (COPPER) DISCHARGE TUBE  
GAGE I.D. TO 6.45-6.55  
× 15.00-17.00 DEEP.



NOTES:

- 1- IF SPECIFIED IN BM, ASSEMBLE PARTS AS SHOWN.
- 2- SEE SPEC. "A-B" & A-C FOR PROCESS.
- 3- FOR SUPPLIER ENVIRONMENTAL REGULATORY REQUIREMENTS, SEE TECUMSEH GLOBAL SPEC. 08
- 4- THERE CAN BE NO CREASES IN THE TUBES. (CREASES ARE SIGNS OR MARKS THAT ARE IN SOMETHING THAT BENDS)
- 5- AFTER THE FOLDS IN THE TUBES, CANNOT BE ACCELERATED TO AREA EXCEEDING 30%.
- 6- TUBES OF SUCTION, DISCHARGE AND PROCESS MUST BE FREE OF INK ON 15.8mm (5/8") FROM TOP OF THE TUBES AS SPEC. T.P.Co. A-B4.

ITEM	PART NUMBER
A	320-10229
B	14963286
C	14947663
D	580-10243
E	14963571

AG  
AD

LT	LC	CHANGE	DATE
B5	ERA	91.60-96.60	EC102397 03-06-12 GM. R6.
D4	ERA	86.60-91.60	EC80775 14-02-18 PS. R6.
E5	ERA	72.10-77.10	EC70368 08-06-16 MP. R6.
B1	ERA	14963573	EC59687 03-03-15 PS. R6.
F7	ALTERADA MEDIDA	ERA: 82.30-82.80	EC48188 21-01-14 R6.
AE	RETIRADO DETALHE (AREA ISENTA DE PINTURA)		EC52840 AMP. R6. 13-09-13
AD A/1	ALTERADO TUBO D	ERA: 14963518	EC45076 15/05/12 P.S. A.M.
AD F/7	ALTERADA MEDIDA	ERA: 80.30-80.80	
AB A/3	ADICIONADO NOTA		
AA	LIBERACAO		

THIS DRAWING OR PRINT (1) IS THE PROPERTY OF TECUMSEH DO BRASIL LTDA. AND CONTAINS PROPRIETARY AND CONFIDENTIAL INFORMATION BELONGING TO TECUMSEH DO BRASIL. IT IS TO BE USED ONLY FOR THE MANUFACTURE OF THE EXPRESS AND SPECIFIC CONDITION THAT NEITHER IT NOR THE INFORMATION CONTAINED THEREIN OR DISCLOSED OR MADE AVAILABLE TO OTHERS WITHOUT THE EXPRESS AND SPECIFIC WRITTEN CONSENT OF TECUMSEH DO BRASIL AND NOT BE REPRODUCED OR TRANSMITTED IN ANY FORM OR BY ANY MEANS, ELECTRONIC OR MECHANICAL, INCLUDING PHOTOCOPYING, RECORDING, OR BY ANY INFORMATION STORAGE AND RETRIEVAL SYSTEM. THIS DRAWING IS NOT TO BE USED FOR ANY OTHER PURPOSE WITHOUT THE EXPRESS AND SPECIFIC WRITTEN CONSENT AND (1) SHALL BE RETURNED BY THE RECIPIENT LATTER'S REQUEST PROMPTLY AFTER SUCH REQUEST IS MADE. DO NOT SCALE THIS DRAWING. ALL FERROUS MATERIALS MUST NOT BE MAGNETIZED AS RECEIVED OR AT COMPRESSION.

THIRD ANGLE PROJECTION  
UNITS: mm  
DRAWING SIZE: A2  
D. A. SYMBOLS AS PROCEDURE 2.01.031 TECUMSEH OF BRAZIL  
★ = CATEGORY I  
▲ = CATEGORY II  
■ = CATEGORY III  
● = CATEGORY IV

SALES COMPRESSOR

NAME: SALES COMPRESSOR

PART NO.: DCAE679

SCALE: 1:2

PAGE: 1/1

DATE: 19/04/12

REF.

FAMILY: AE2