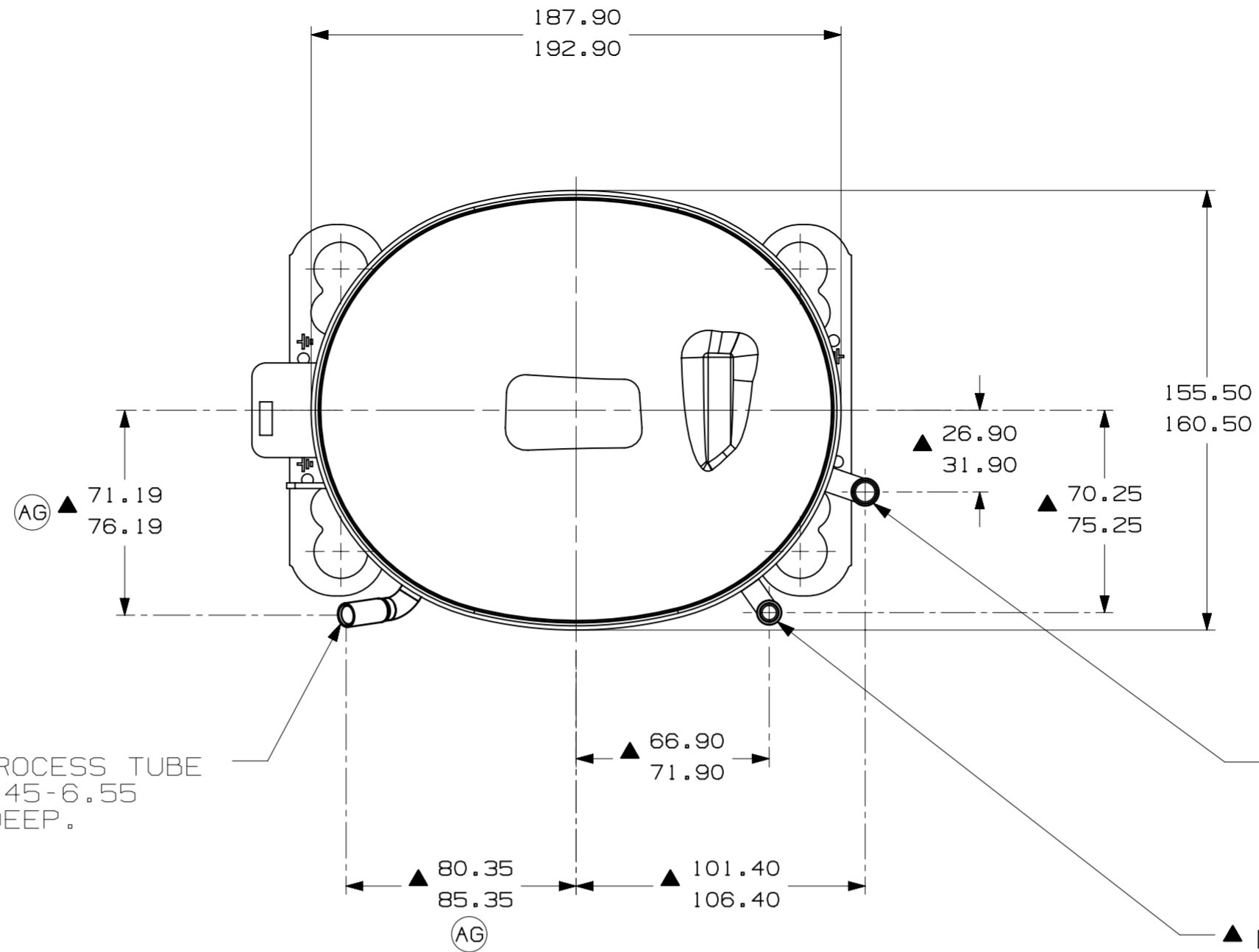


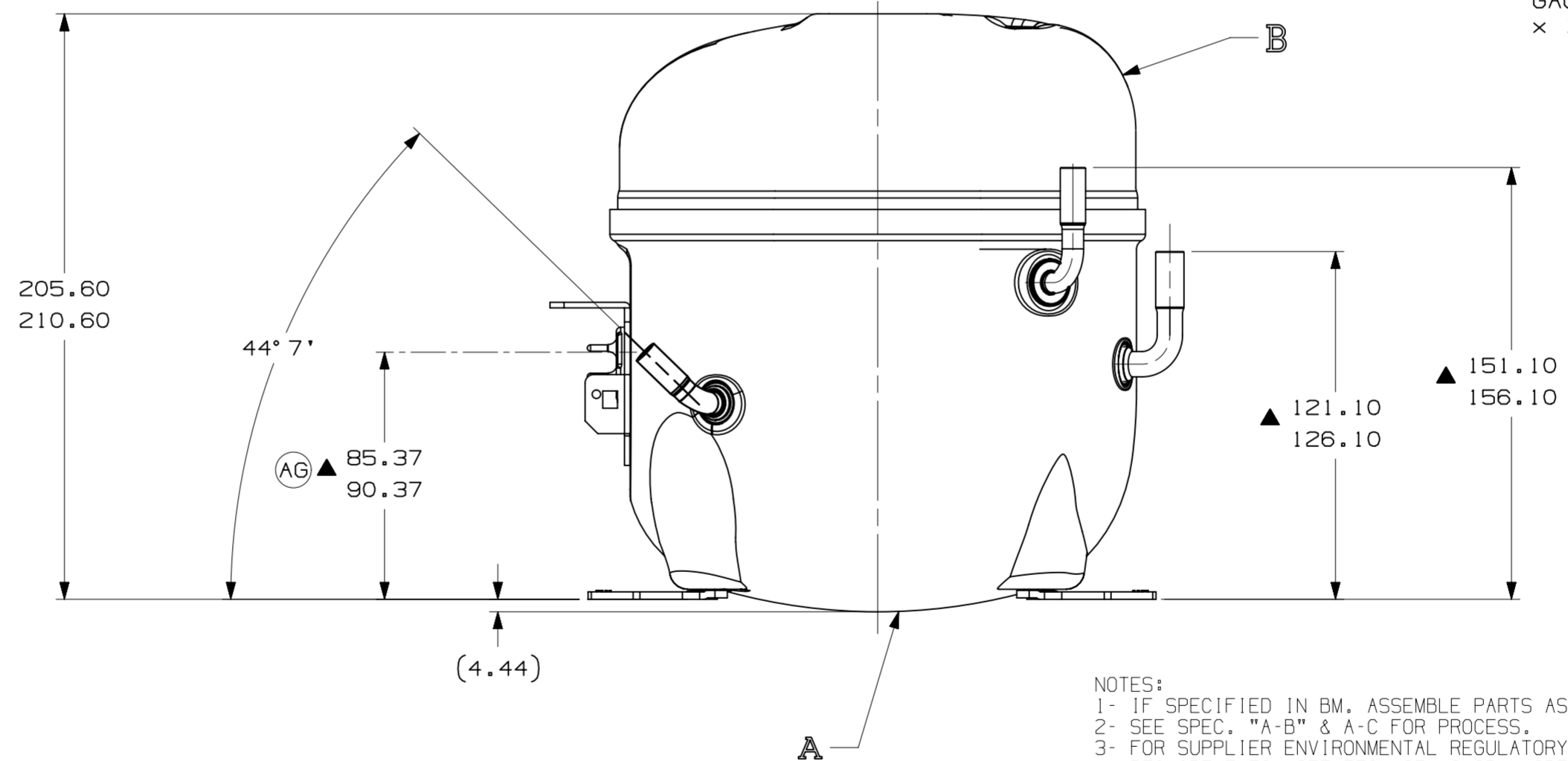
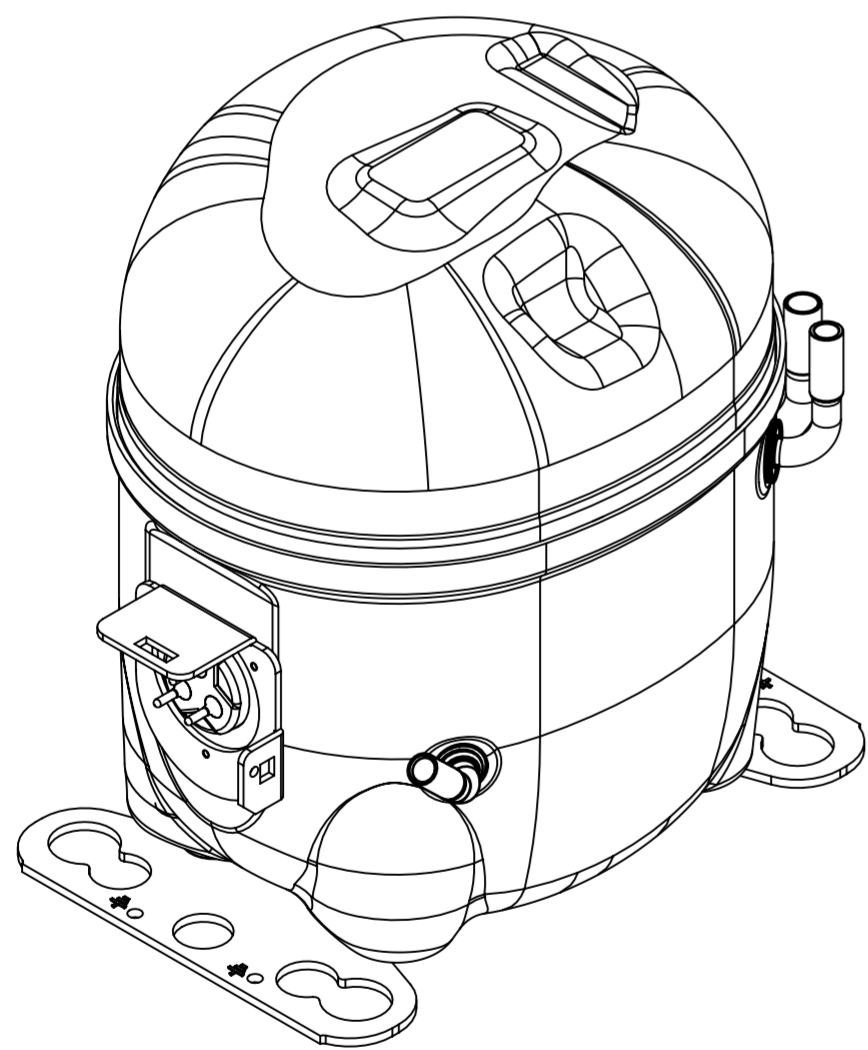
- AUXILIARY VIEW -
FASTENING DIMENSIONS



▲ C - (COPPER) PROCESS TUBE
GAGE I.D. TO 6.45-6.55
× 15.00-17.00 DEEP.

▲ E - (COPPER) SUCTION TUBE
GAGE I.D. TO 8.00-8.10
× 15.00-17.00 DEEP.

▲ D - (COPPER) DISCHARGE TUBE
GAGE I.D. TO 6.45-6.55
× 15.00-17.00 DEEP.



NOTES:

- IF SPECIFIED IN BM, ASSEMBLE PARTS AS SHOWN.
- SEE SPEC. "A-B" & A-C FOR PROCESS.
- FOR SUPPLIER ENVIRONMENTAL REGULATORY REQUIREMENTS, SEE TECUMSEH GLOBAL SPEC. 08
- THERE CAN BE NO CREASES IN THE TUBES. (CREASES ARE SIGNS OR MARKS THAT ARE IN SOMETHING THAT BENDS)
- AFTER THE FOLDS IN THE TUBES, CANNOT BE ACCELERATED TO AREA EXCEEDING 30%.
- TUBES OF SUCTION, DISCHARGE AND PROCESS MUST BE FREE OF INK ON 15.8mm (5/8") FROM TOP OF THE TUBES AS SPEC. T.P.Co. A-B4.

ITEM	PART NUMBER
A	320-10229
B	14963286
C	14947663
D	580-10243
E	14963571

AG
AD

LT	LC	CHANGE	DATE
B5	ERA	91.60-96.60	EC102397 03-06-12 GM. R6.
D4	ERA	86.60-91.60	EC80775 14-02-18 PS. R6.
E5	ERA	72.10-77.10	EC70368 08-06-16 MP. R6.
B1	ERA	14963573	EC59687 03-03-15 PS. R6.
F7	ALTERADA MEDIDA	ERA: 82.30-82.80	EC48188 21-01-14 R6.
AE	RETIRADO DETALHE (AREA ISENTA DE PINTURA)		EC52840 AMP. R6. 13-09-13
AD A/1	ALTERADO TUBO D	ERA: 14963518	EC45076 15/05/12 P.S. A.M.
AD F/7	ALTERADA MEDIDA	ERA: 80.30-80.80	
AB A/3	ADICIONADO NOTA		
AA	LIBERACAO		

THIS DRAWING OR PRINT (1) IS THE PROPERTY OF TECUMSEH DO BRASIL LTDA. AND CONTAINS PROPRIETARY AND CONFIDENTIAL INFORMATION BELONGING TO TECUMSEH DO BRASIL. IT IS TO BE USED ONLY FOR THE PURPOSES SPECIFIED HEREIN AND NOT BE REPRODUCED, COPIED, EITHER WHOLLY OR IN PART, OR TRANSMITTED IN ANY FORM OR BY ANY MEANS, WITHOUT THE WRITTEN CONSENT OF TECUMSEH DO BRASIL AND WITHOUT THE WRITTEN CONSENT OF THE RECIPIENT. (1) IT SHALL NOT BE COPIED OR TO ANY EXTENT WITH-OUT THE WRITTEN CONSENT AND (2) IT SHALL BE RETURNED BY THE RECIPIENT LATTER'S REQUEST PROMPTLY AFTER SUCH REQUEST IS MADE. DO NOT SCALE THIS DRAWING. ALL FER-ROUS MATERIALS MUST NOT BE MAGNETIZED AS RECEIVED OR AT ASSEMBLY.

THIRD ANGLE PROJECTION
UNITS: mm
DRAWING SIZE: A2
D. A. SYMBOLS AS PROCEDURE 2.01.031 TECUMSEH OF BRAZIL
★ = CATEGORY I
▲ = CATEGORY II
■ = CATEGORY III
● = CATEGORY IV

NAME: SALES COMPRESSOR
PART NO.: DCAE679
SCALE: 1:2
PAGE: 1/1
DATE: 19/04/12
REF.:
FAMILY: AE2