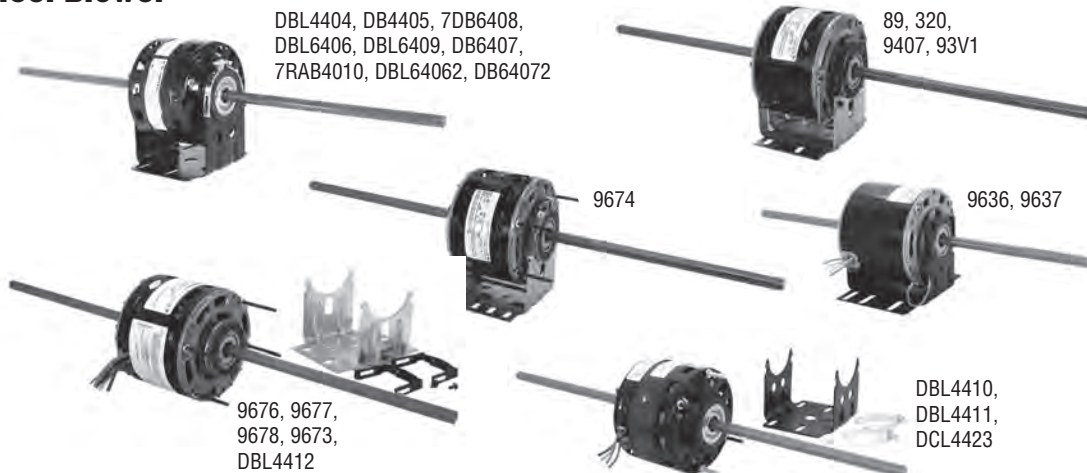


5" Diameter Double Shaft Fan/Blower Motors Resilient Base

Fan Coils - Dual Wheel Blower

Features:

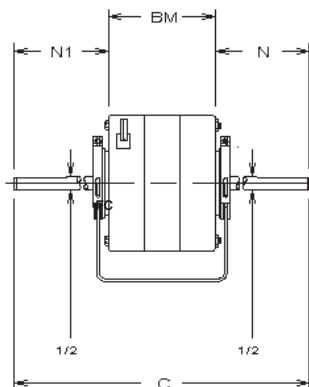
- Auto Protector
- Continuous Air Over
- Open Construction
- Resilient Base
- Sleeve Bearing
- 1/2" Dia.- Flatted Shafts
- 40° C Ambient
- 3-1/2" Shaft Height
- 60 HZ only
- 42 Frame (5.0" Dia.)



HP	RPM	Speeds	Volts	Amps	Stock Number	Rotation	Dim. Ref.	Notes
SHADED POLE								
1/35~1/60~1/100~1/150	1050	4	115	2.0-1.1-.88-.67	9673	CCWLE	12	24
1/15~1/20~1/30~1/50	1050	4	115	2.4-1.6-1.1-0.8	9674	CWLE	6	6,47
1/15~1/25~1/40	1050	3	208-230	1.3-.71-.50	320	CWLE	5	6
1/10~1/15	1050	2	115	3.7-2.6	DBL64062	CCWLE	9	294
1/10~1/15~1/20~1/25	1050	4	115	3.4-2.0-1.7-1.5	DBL6406	CCWLE	2	
1/10~1/15~1/20~1/25~1/30	1050	5	115	3.5-2.8-2.2-1.9-1.6	DBL6409	CCWLE	3	
1/10~1/20~1/30~1/40~1/70	1050	5	115	3.2-2.3-1.7-1.4-.96	93V1	CWLE	8	47,150
1/10~1/20~1/30~1/40~1/70	1050	5	115	3.2-2.3-1.7-1.4-.96	89	CWLE	7	6
1/10~1/15	1050	2	208-230	1.9	DB64072	CCWLE	1	294
1/10~1/15~1/20~1/25	1050	4	208-230	1.6-0.9-0.8-0.7	DB6407	CCWLE	1	
1/10~1/15~1/20~1/25	1050	4	277	1.3.08-.07-.06	7DB6408	CCWLE	1	
1/10~1/15~1/20~1/25	1050	4	277	1.6-1.1-.83-.74	7RAB4010	CCWLE	11	288,294
1/10~1/15~1/20	1550	3	115	3.5-1.7-1.4	DBL4404	CCWLE	1	
1/10~1/15~1/20	1550	3	115	4.0-2.5-1.7	9407	CCWLE	4	
1/10~1/12~1/20~1/25	1550	4	115	3.5-2.6-1.9-1.6	DBL4410	CCWLE	1	24
1/10~1/12~1/20~1/25	1550	4	115	3.5-2.6-1.9-1.6	DBL4411	CCWLE	1	24,47
1/10~1/15~1/20	1550	3	230	1.8-0.9-0.7	DB4405	CCWLE	2	
1/10~1/12~1/15~1/20	1550	4	208-230	2.1-1.5-1.2-1.0	DBL4412	CCWLE	13	24,47
1/8~1/12~1/15~1/20	1050	4	115	4.4-3.0-2.3-2.1	9676	CCWLE	14	24
1/6~1/8	1050	2	115	5.8-3.6	9636	CCWLE	10	
1/6~1/10~1/12~1/15	1050	4	115	8.6-4.2-3.1-2.6	9677	CCWLE	10	24
1/6	1050	2	230	2.9	9637	CCWLE	10	
1/6~1/10~1/12~1/15	1550	4	115	4.0-2.4-1.9-1.6	DCL4423	CCWLE	13	24
1/4~1/8~1/10~1/12	1050	4	115	8.5-4.7-3.8-3.4	9678	CCWLE	15	24

Notes:

- 6. 60/50 HZ
- 24. Mounting accessories packaged with motor
- 47. 3/8" dia. shaft
- 150. Rated 50/60 HZ
- 288. 26" leads (minimum)
- 294. 2.6" shaft height



Approximate Dimensions

Ref.	BM	FC	N1/N
1	3-3/8	22	9-5/16
2	3-3/8	24	10-5/16
3	3-3/8	24	10-5/16
4	3-3/4	22-1/2	9-3/8
5	3-1/4	20-7/8	8-7/8
6	3-1/2	19-7/8	8-3/16
7	3-1/2	24-7/8	10-11/16
8	3-1/2	23-1/2	10
9	3-3/8	24	9-3/4
10	4-1/4	21-1/4	8-1/2
11	3-13/16	21-1/2	8-13/16
12	3-3/4	20-3/4	8-1/2
13	4	21	8-1/2
14	4	25	10-1/2
15	5-1/4	22-3/4	8-3/4