

Ductless

The Model 850 Fan Pack marries with the Aprilaire Model 800 Steam Humidifier to provide comfortable humidity levels in homes without duct work.

No Accessories Required

Model 800, Model 850 fan pack, Model 65 digital humidistat and Model 4208 drain tap assembly, steam hose and drain tube.

Quality and Reliability

Proven design using electrode technology perfected by Dri-Steam® a subsidiary of Research Products.

High Capacity

One unit can provide between 11.5 and 34.6 gallons per day.

Easy to Install

Recessed into a wall and connects directly to the Model 800 Steam Humidifier.

Easy to Maintain

No cleaning or scrubbing, simply remove canister and replace.

Quiet

operation makes the Model 850 Fan pack practically unnoticeable.

Aesthetically Pleasing

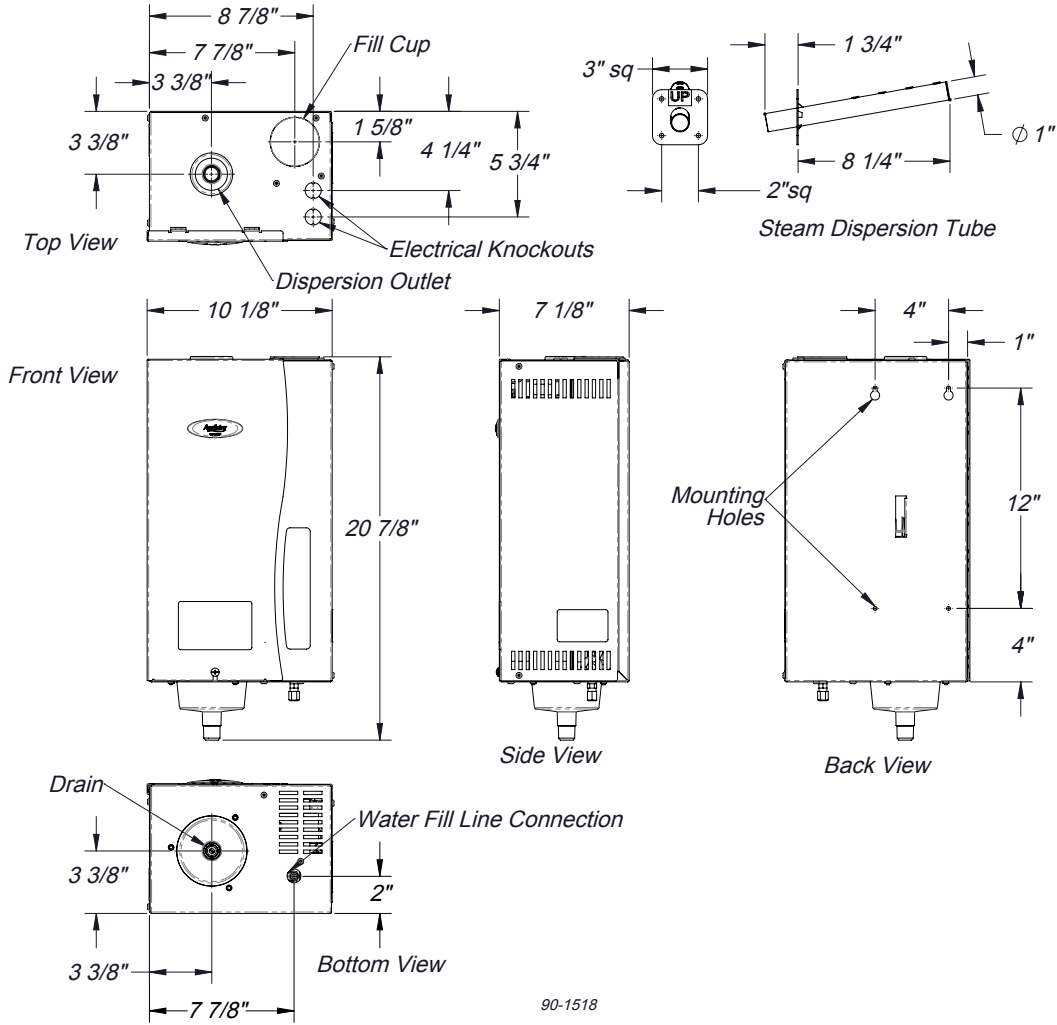
Designed to blend into a home's environment.



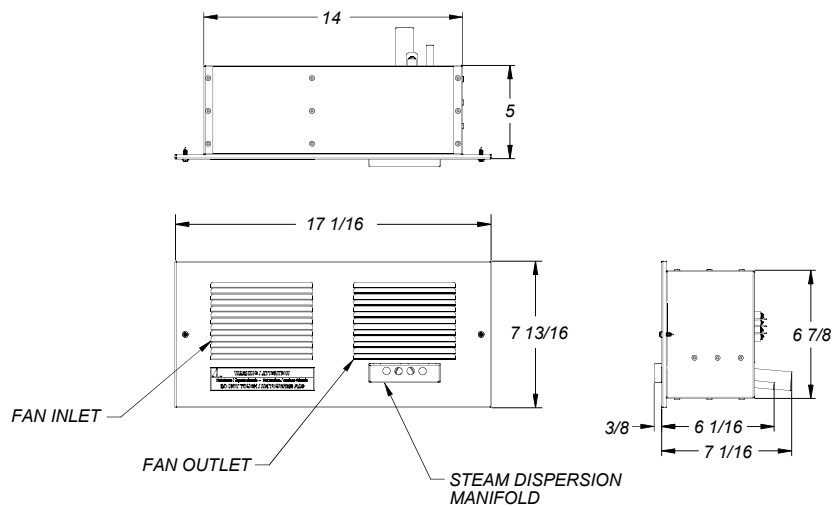
Steam Capacity gal/day	Voltage	Current draw	
		Amps	Kw
11.5	120V	11.5	1.4
16.0		16.0	1.9
20.5	208V	11.5	2.4
30.0		16.0	3.3
23.3	240V	11.5	2.8
34.6		16.0	3.8

- Water Hardness – 3 to 36 grain per gallon, water filtration not necessary
- Water Conductivity – 125-1250 micro Siemens per centimeter ($\mu\text{S}/\text{cm}$)
- Supply water pressure must be between 25 psi and 120 psi
- Drain water flushed and tempered with cold fresh inlet water
- Electrical draw 11.5 amps or 16 amps
- Canister replacement once per humidifier season under normal conditions. Canister life will depend on water quality and run time. Unit will automatically notify when canister must be replaced.
- Operating Weight - up to 27 lbs.

MODEL 865 STEAM HUMIDIFIER



MODEL 850 FAN PACK



RESEARCH PRODUCTS RESERVES THE RIGHT TO CHANGE SPECIFICATIONS WITHOUT NOTICE.