

Project: _____

Dealer: _____

Architect: _____

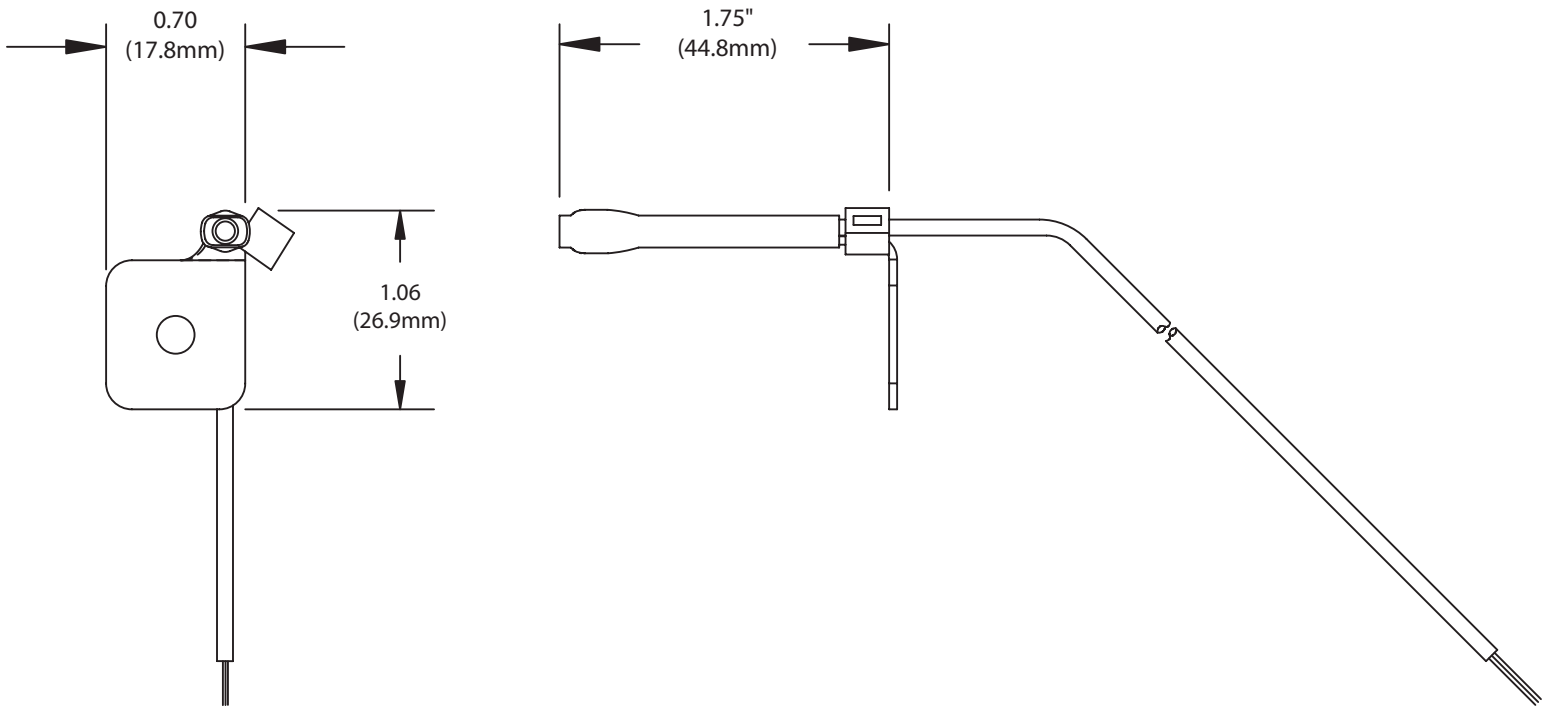
Engineer: _____

Contractor: _____

Location: _____

Supplier: _____

Date: _____



NOTES – Compatible with:

| |
|--|
| Aprilaire Model 8061 Remote Temperature Sensor, supports 2 separate temperatures |
| Aprilaire Model 8062 Remote Temperature & Humidity Sensor, control or monitor |
| Aprilaire Model 8570 Thermostat |
| All Aprilaire Zone Control Panels (Models 6202, 6203, 6303 and 6404) |

The submittal is intended to show general, overall product dimensions and provide guidance for installation clearance. Drawings are not to scale. Ensure submittals are current. Research Products reserves the right to make product changes without notification or obligation.