



AutoFill™ AUTOMATIC FAST-FILLING VALVE

CALEFFI
Hydronic Solutions



Heating & Cooling

Components for today's modern hydronic systems



PRODUCT FEATURES

■ Automatic Fast-filling:

Fast fills the system to set pressure then automatically shuts off the water feed. No levers to flip or valves to close.

■ Built-in shut-off valve and check valve:

Allows isolation of system from supply and check valve prevents loss of system pressure if the supply water drops below system pressure.

■ Maintains stable pressure at pre-setting:

Fill the system to a set pressure and maintain that pressure setting regardless of inlet pressure variations.

■ Pre-calibration:

Before charging the system, use a screwdriver to turn dial to intended system pressure. Downstream pressure gauge is not required.

■ Anti-scale polymer materials:

Prevents scaling on internal sliding surfaces, assuring stable pressure control and long operating life.

■ Optional pre-assembly with low-lead ASSE 1012 double-check backflow preventer:

Saves time and reduces space requirements.

Set it and Forget it!

The CALEFFI AutoFill™ is unlike traditional boiler fill valves, AutoFill™ automatically and quickly fills the system to the preset pressure and shuts off. With the optional pressure gauge the system pressure can be viewed and adjusted as needed, no more guessing.

PRODUCT RANGE - AutoFill™

CONNECTION SIZE	OUTLET PRESSURE GAUGE	CODE					
		AutoFill™		AutoFill™ COMBINED WITH BACKFLOW PREVENTER			
		MNPT x FNPT	SWEAT x FNPT	FNPT x FNPT	PRESS	PRESS x FNPT	SWEAT x FNPT
1/2"	--	553542A	553549A	573002A	573006A	573007A	573009A
	√	553642A	553649A	573012A	573016A	573017A	573019A

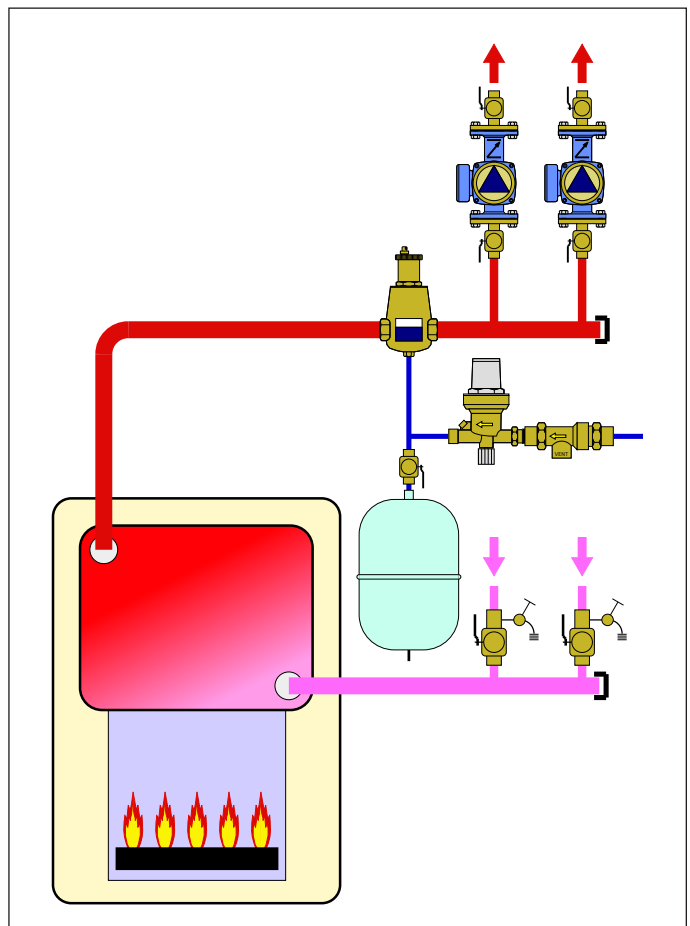
ASSE 1012



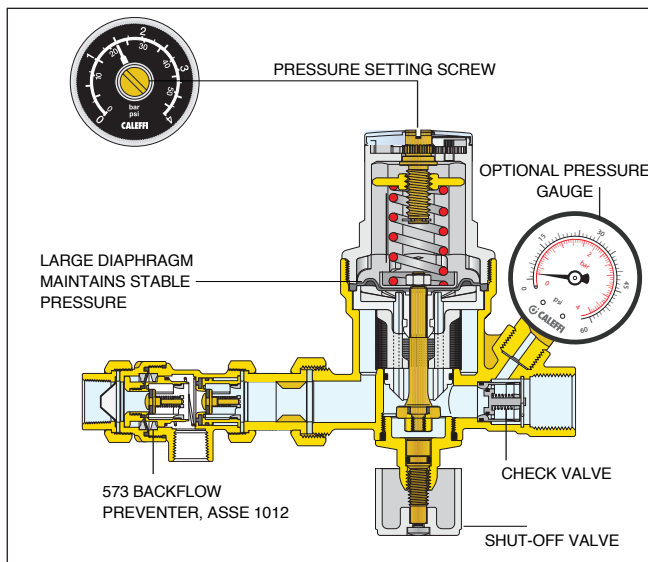
PERFORMANCE

MAX. WORKING PRESSURE-AUTOFILL	230 psi (16 bar)
MAX. WORKING PRESSURE-COMBO	175 psi (12 bar)
SETTING PRESSURE RANGE	3 – 60 psi (0.2–4 bar)
PRESSURE GAUGE SCALE	0 – 60 psi (0–4 bar)
MAX. WORKING TEMPERATURE	150°F (65°C)

APPLICATION DIAGRAM



CONSTRUCTION



Caleffi Partner:



ONLINE
CATALOG

CALEFFI
Hydronic Solutions

03591-17 NA