



Submittal Data Information

Pressure Reducing Valves, Dual Controls

101-005

Numbers: 329, 329T, 335, 334, 334T

Supersedes: October 1, 1989

Effective: January 1, 2003

Job: _____ Engineer: _____ Contractor: _____ Rep: _____

ITEM NO.	MODEL NO.	

Features

- Fast Fill Rate on All Models.
- Exclusive Fast Fill Lever Lock.
- Built-In Check to Prevent Emptying the System if Incoming Pressure Fails.
- Adjustable Set Pressure of 10 to 25 psi.
- Pressure Setting Adjustment Separated from Fast Fill Lever for Easy, Fast Adjustment.

Performance Data

Pressure Reducing Valves

- Maximum Fluid Temperature: 212°F (100°C)
- Maximum Supply Side Pressure: 100 psi (689kpa)
- Set Pressure Range: 10 - 25 psi (69 - 172kpa)
- Factory Setting of System Side: 12 psi (83kpa)

Performance Data

Dual Controls

- Maximum Fluid Temperature: 212°F (100°C)
- Maximum Supply Side Pressure: 100 psi (689kpa)
- Relief Valve Set to Release at: 30 psi (207kpa)

Connection Sizes

- Model 329: 1/2" Sweat Union Inlet, 1/2" NPT Outlet
- Model 329-T: 1/2" NPT Union Inlet, 1/2" NPT Outlet
- Model 335: 3/4" NPT Union Inlet, 3/4" NPT Outlet
- Model 334: 1/2" Sweat Union Inlet, 1/2" NPT Outlet
- Model 334-T: 1/2" NPT Union Inlet, 1/2" NPT Outlet

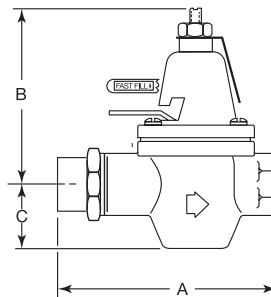
Purpose

To automatically feed water to a system whenever pressure in the system drops below the pressure setting of the valve. The Dual Control combines the Boiler Feed Valve with an in-line Pressure Relief Valve connected at the outlet end.

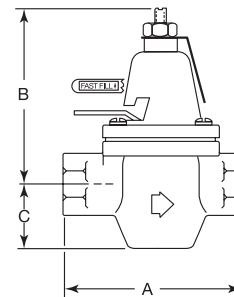
Pressure Reducing Valves Dimensions & Weights

Model	Material	A		B		C		Ship Wt.		Ship Wt. Ctn. 6	
		in.	mm	in.	mm	in.	mm	lbs.	Kg	lbs.	Kg
329	Cast Iron	4-1/4	108	3-3/4	95	1-3/8	35	2.4	1.4	30	14
329-T	Cast Iron	4-3/8	111	3-3/4	95	1-3/8	35	2.4	1.4	30	14
335	Bronze	3-3/4	95	3-3/4	95	1-3/8	35	2.4	1.4	30	14

Models 329 & 329-T



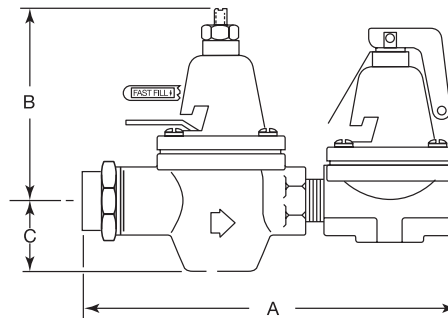
Model 335



Dual Controls Dimensions & Weights

Model	Material	A		B		C		Ship Wt.		Ship Wt. Ctn. 6	
		in.	mm	in.	mm	in.	mm	lbs.	Kg	lbs.	Kg
334	Cast Iron	7-1/4	184	3-3/4	95	1-3/8	35	3.9	1.8	24	11
334-T	Cast Iron	7-3/8	187	3-3/4	95	1-3/8	35	3.9	1.8	24	11

Models 334 & 334-T



Taco, Inc., 1160 Cranston Street, Cranston, RI 02920 | Tel: (401) 942-8000 | FAX: (401) 942-2360

Taco (Canada), Ltd., 8450 Lawson Road, Suite #3, Milton, Ontario L9T 0J8 | Tel: (905) 564-9422 | FAX: (905) 564-9436

Visit our web site: www.TacoComfort.com | Printed in USA | ©2015 Taco, Inc.

