



# SERVICE PARTS LIST

**BULLETIN NO.**  
**54-26-2990**

SPECIFY CATALOG NO. AND SERIAL NO. WHEN ORDERING PARTS		REVISED BULLETIN	DATE
<b>M18™ FUEL™ 1/4" Hex Impact Driver</b>			Feb. 2022
CATALOG NO. <b>2953-20</b>	STARTING SERIAL <b>M67A</b>	WIRING INSTRUCTION <b>See Pages 3 &amp; 4</b>	

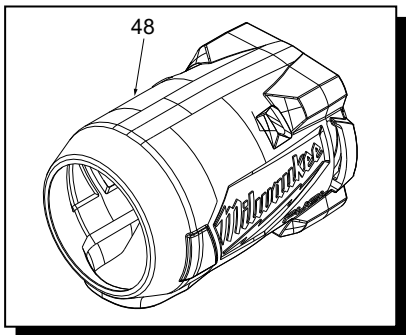
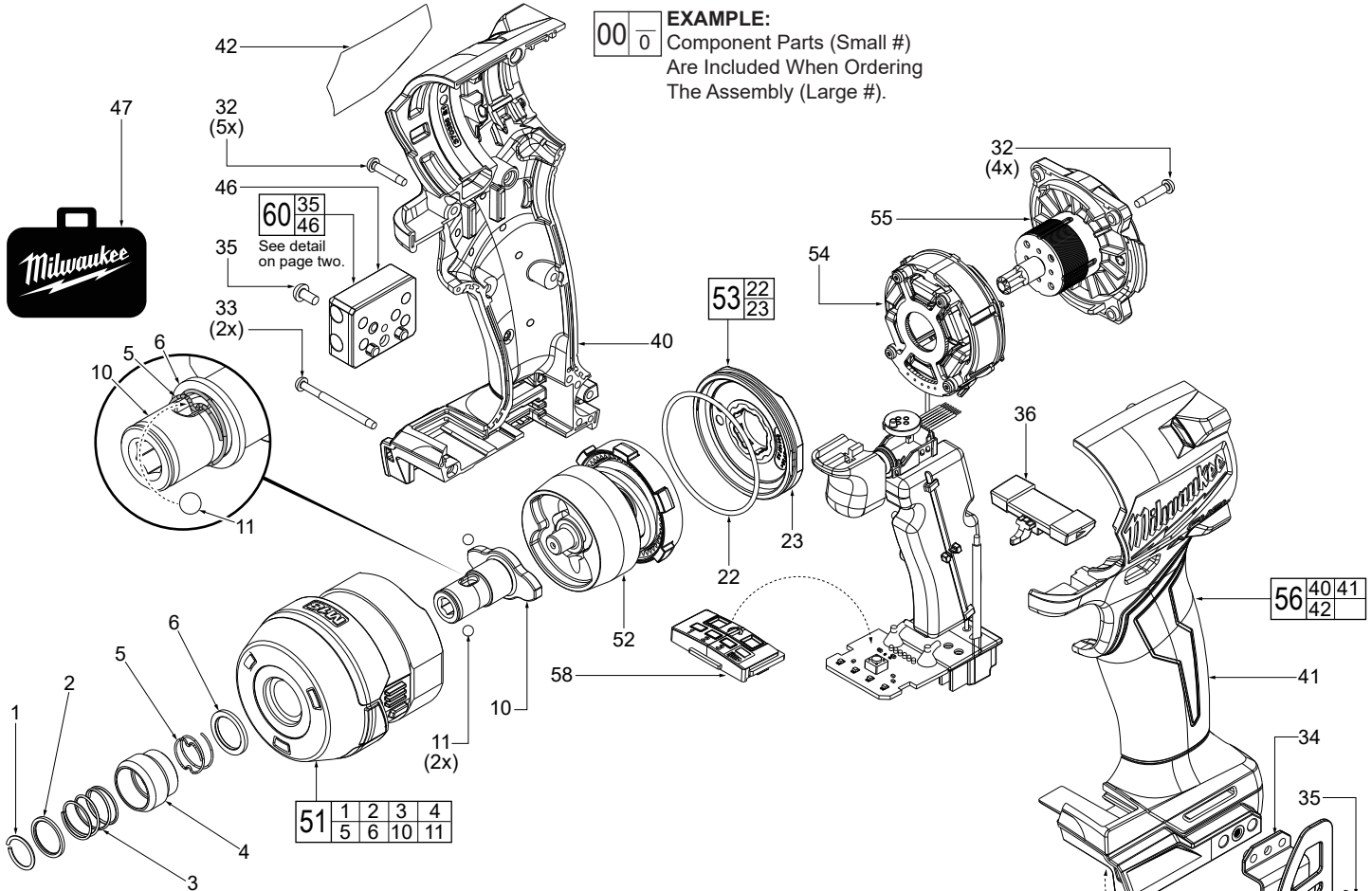
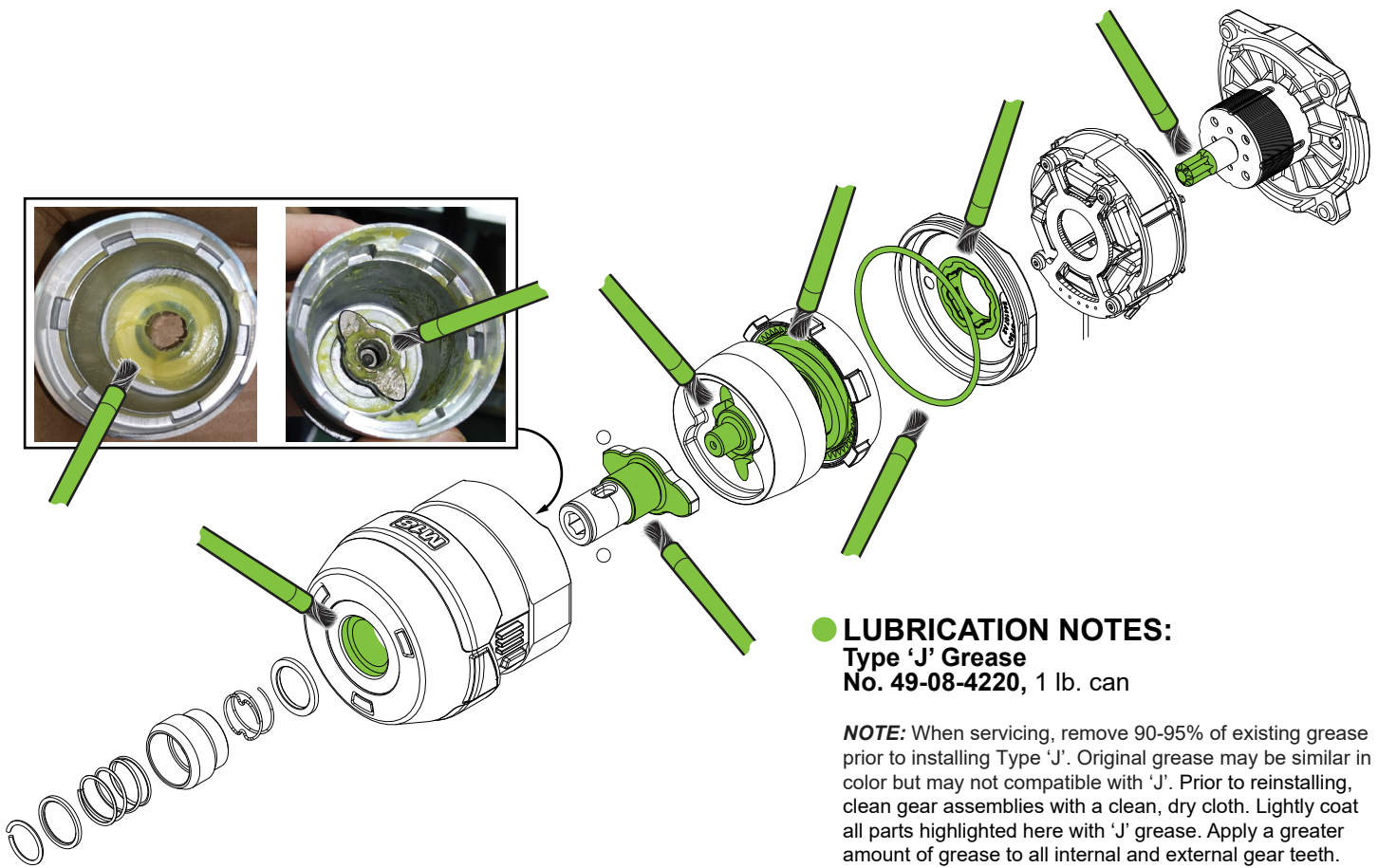
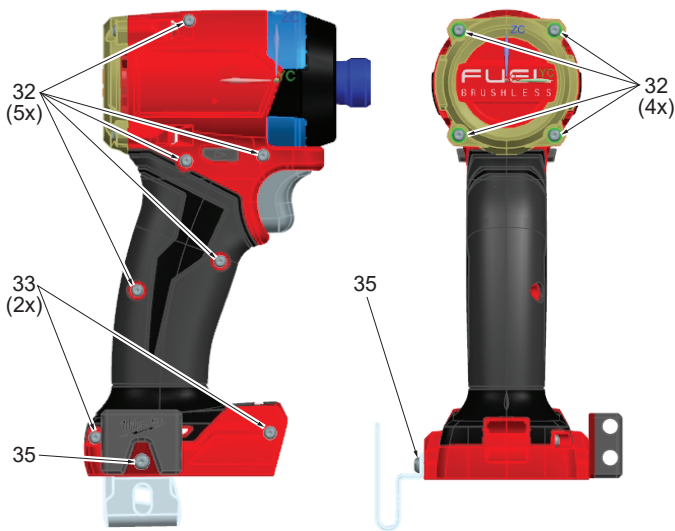


FIG.	PART NO.	DESCRIPTION OF PART	NO. REQ.
1	05-92-1010	Retaining Ring	(1)
2	45-88-2026	Washer	(1)
3	40-50-0056	Spring	(1)
4	42-76-0019	Sleeve	(1)
5	40-50-9215	Anvil Spring	(1)
6	45-88-1547	Washer	(1)
10	42-06-7033	1/4" Hex Anvil	(1)
11	02-02-1100	Steel Ball	(2)
22	34-40-0596	O-Ring	(1)
23	-----	Gearcase Cap	(1)
32	06-82-6351	M3 x 16mm Pan Hd. ST T-10 Screw	(9)
33	06-82-2367	M3 x 38mm Pan Hd. ST T-10 Screw	(2)
34	-----	Belt Clip	(1)
35	06-82-2500	6-32 x 7mm Pan Hd. Phillips Mach. Scr.	(2)
36	45-24-8005	Forward/Reverse Shuttle	(1)
40	-----	Right Handle Halve - Cover	(1)
41	-----	Left Handle Halve - Support	(1)
42	12-20-2480	Service Nameplate	(1)
46	-----	Bit Holder	(1)
47	42-55-8995	Blow Molded Carrying Case	(1)
48	49-16-2953	Rubber Boot (Accessory)	(1)
51	14-29-5377	Gearcase/Anvil Svc. Kit w/ Tri-LED Lighting	(1)
52	14-30-2810	Impacting Assembly	(1)
53	44-66-2560	Gearcase Cap Service Kit	(1)
54	14-20-6550	Electronics Assembly	(1)
55	16-01-3045	Rotor/End Cap Service Assembly	(1)
56	14-34-2420	Housing Service Kit	(1)
57	42-70-0950	Belt Clip Service Kit	(1)
58	45-24-2660	Speed Selector Service Assembly	(1)
60	49-16-3697	Bit Holder Kit (Accessory, Optional)	(1)
61	-----	QR Code Label	(1)

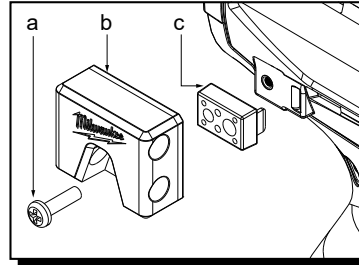


**LUBRICATION NOTES:**  
**Type 'J' Grease**  
**No. 49-08-4220, 1 lb. can**

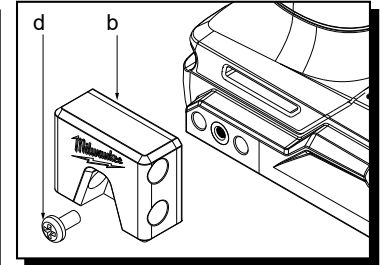
**NOTE:** When servicing, remove 90-95% of existing grease prior to installing Type 'J'. Original grease may be similar in color but may not be compatible with 'J'. Prior to reinstalling, clean gear assemblies with a clean, dry cloth. Lightly coat all parts highlighted here with 'J' grease. Apply a greater amount of grease to all internal and external gear teeth.



**Bit Holder on M12™ Products**



**Bit Holder on M18™ Products**

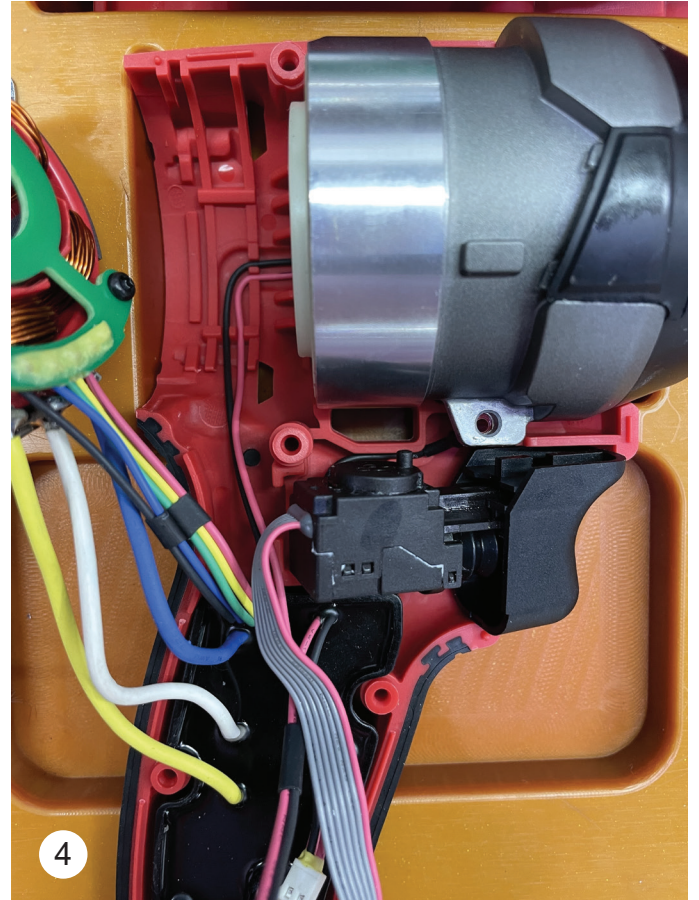
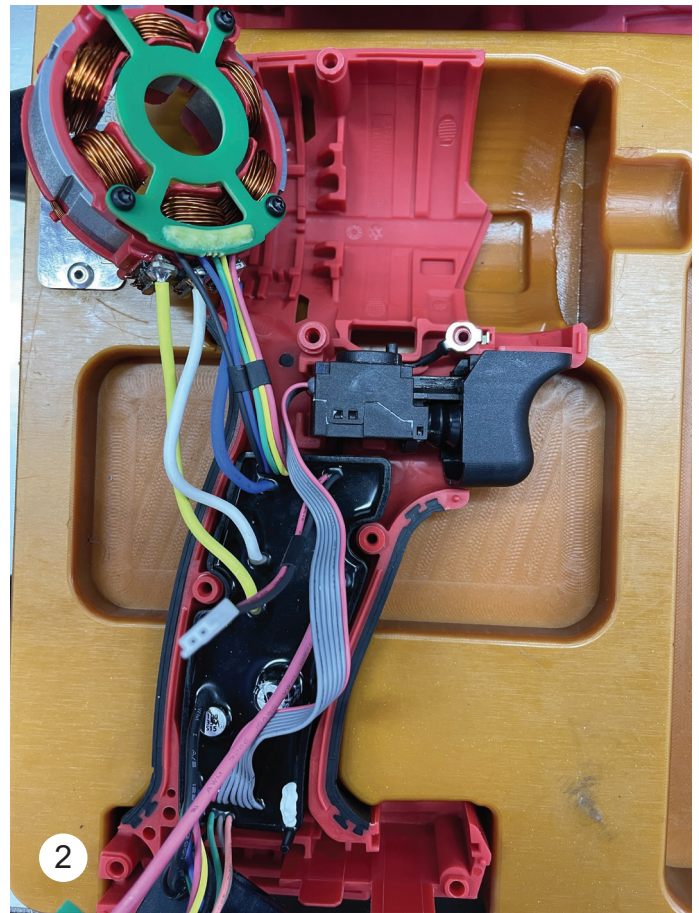
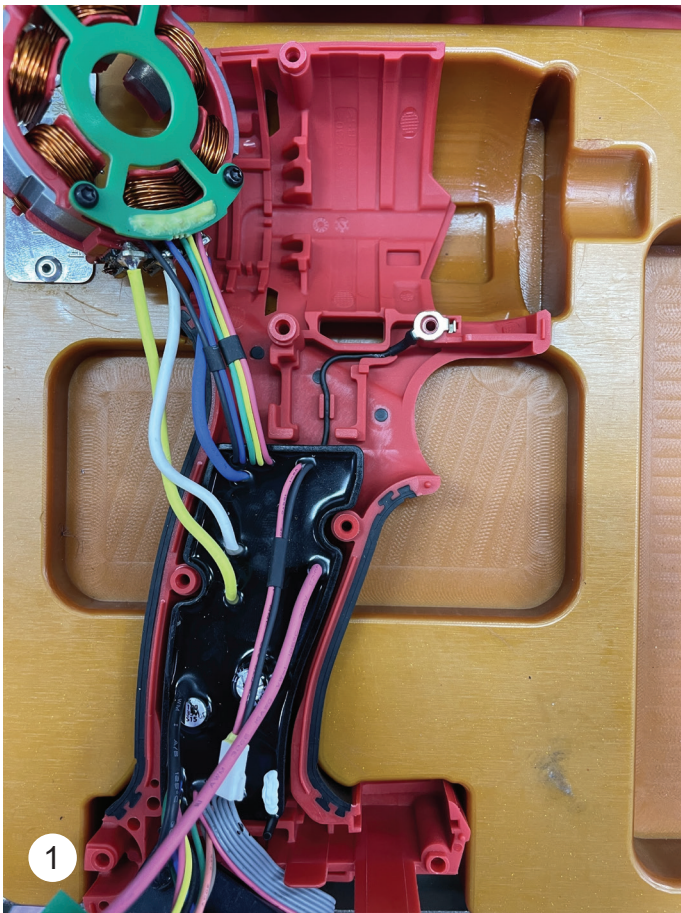


**49-16-3697 BIT HOLDER (ACCESSORY)**

FIG.	PART NO.	DESCRIPTION OF PART
a	06-82-3008	6-32 x 12.7mm Pan Hd. Phillips Screw (For M12™ Tools)
b	-----	Bit Holder
c	-----	Adapter (For M12™ Tools)
d	06-82-2500	6-32 x 7mm Pan Hd. Phillips Screw (For M18™ Tools)

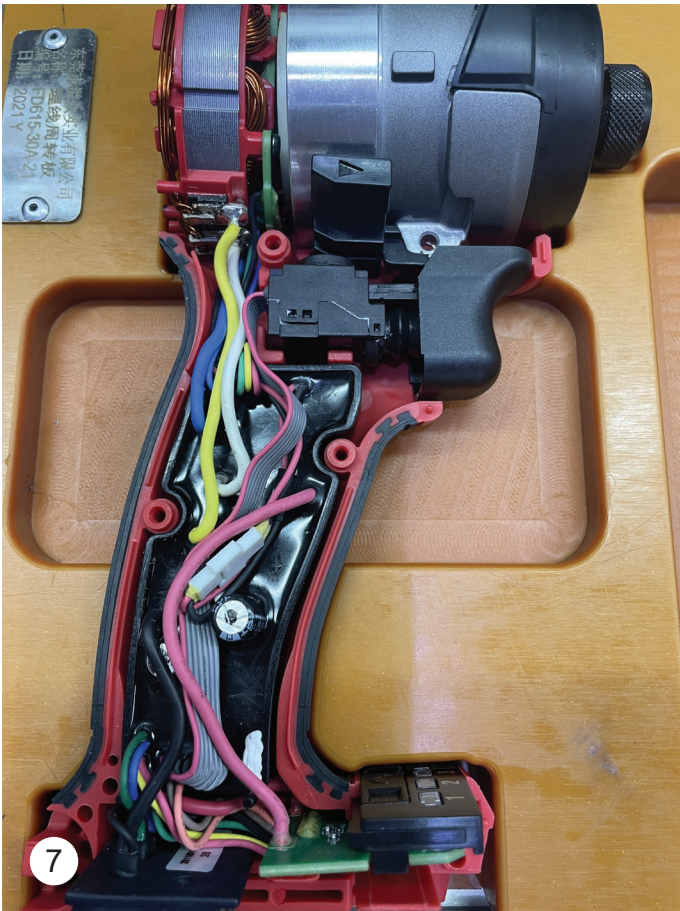
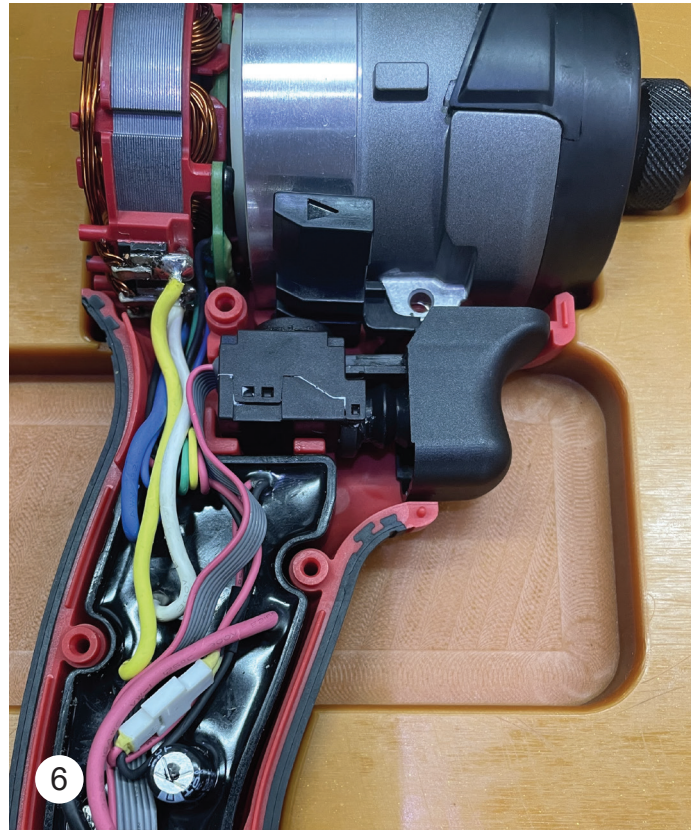
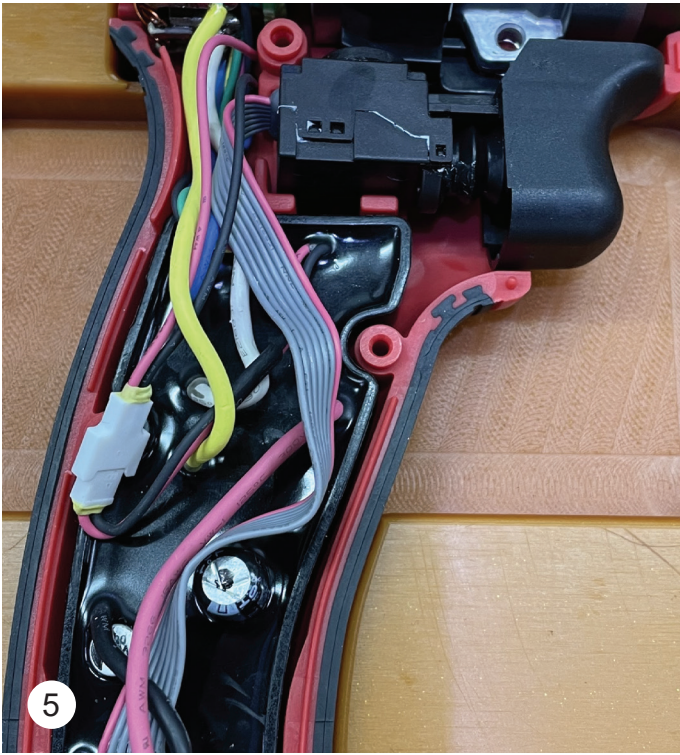
**SCREW TORQUE SPECIFICATIONS**

FIG.	PART NO.	DESCRIPTION OF FASTENER	WHERE USED	SEAT TORQUE	
				(KGF/CM)	(LBF/IN)
32	06-82-6351	M3 x 16mm Pan Hd. ST T-10 Screw	Right Handle Halve - Handle Cover (Qty. of 5)	9±1	7.81±1
32	06-82-6351	M3 x 16mm Pan Hd. ST T-10 Screw	Rotor/End Cap Service Assembly (Qty. of 4)	7±1	6.07±1
33	06-82-2367	M3 x 38mm Pan Hd. ST T-10 Screw	Right Handle Halve - Handle Cover (Qty. of 2)	9±1	7.81±1
35	06-82-2500	6-32 x 7mm Pan Hd. Phillips Screw	Bit Holder	16±2	13.88±1
35	06-82-2500	6-32 x 7mm Pan Hd. Phillips Screw	Belt Clip	16±2	13.88±1



1. Place potted boat PCBA in handle half as shown. Insert Speed Selector Assembly in handle slot. Assemble Battery Terminal Block in corresponding handle slot. Install ground wire terminal and route wire through traps as shown. Be sure that wire is pressed down completely in each trap.
2. Install On-Off Switch in handle cavity as shown.
3. Route wires from Shadowless LED Assembly as shown. Secure wires to Gearcase with a piece of tape (approximately 35mm long).
4. Install Gearcase/Shadowless LED Assembly onto handle half. Route wires from Shadowless LED Assembly in traps as pictured. Be sure that wires are pressed down completely in each trap.

Continue on next page...



5. Assemble connector from the Shadowless LED Assembly to the connector on the Potted Boat PCBA. Lightly tug at the connectors to assure that they are joined properly.
6. Install Stator into handle half. Route stator wires from bottom to top (gray, purple and black). Be sure that the Stator, Gearcase and Shadowless LED Assembly are seated firmly and squarely in the handle half cavities. Install the Forward/Reverse Shuttle over On-Off Switch and into shuttle opening of handle. Be sure On-Off Switch is seated firmly and squarely in the handle half cavity.
7. Prior to installing Cover (Right Handle Halve), check that all electrical components are seated firmly and squarely in the handle cavities. Be sure all wires and connectors are tucked in place and are not interfering with the trigger movement of the On-Off Switch. Be sure wires are not going to be pinched.

As an aid to reassembly, take notice of wire routings and position in wire guides and traps while dismantling the tool.

Before securing Cover (Right Handle Halve) onto Support (Left Handle Halve), check for proper functionality of the Switch trigger as well as the Forward/Reverse Shuttle.

Install battery and depress switch trigger to assure tool is operating properly.