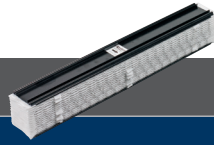


# Media Specifications



REPLACEMENT MEDIA				
Media No.	Used with Aprilaire Air Cleaner Models	Nominal Size (in inches)	Static Pressure Drop (in. w.c.) @ 1200 CFM	Maximum Airflow Capacity (in CFM)
<b>501</b>	5000	16" x 25"	0.14	2000
<b>113</b>	1110	16" x 20"	0.29	1200
<b>213</b>	1210, 1620, 2210, 3210, 4200*	20" x 25"	0.15	2000
<b>313</b>	1310, 2310, 3310, 4300*	20" x 20"	0.23	1200
<b>413</b>	1410, 1610, 2410, 3410, 4400*	16" x 25"	0.17	2000
<b>513</b>	1510	31" x 28"	0.07	3000
<b>110</b>	1110	16" x 20"	0.20	1200
<b>210</b>	1210, 1620, 2210, 3210, 4200*	20" x 25"	0.11	2000
<b>310</b>	1310, 2310, 3310, 4300*	20" x 20"	0.19	1200
<b>410</b>	1410, 1610, 2410, 3410, 4400*	16" x 25"	0.12	2000
<b>510</b>	1510	31" x 28"	0.05	3000
<b>201</b>	2200 Space-Gard, 2200 Aprilaire	20" x 25"	0.14	2000
<b>401</b>	2400 Space-Gard, 2400 Aprilaire	16" x 25"	0.14	2000

EAC

MERV 13

MERV 11

MERV 10

UPGRADE KITS					
Media No.	Used With Space-Gard & Aprilaire Air Cleaner Models	Nominal Size (in inches)	Included Media	Static Pressure Drop (in. w.c.) @ 1200 CFM	Maximum Airflow Capacity* (in CFM)
<b>1213</b>	2200*	20" x 25"	213	0.15	2000
<b>1413</b>	2400*	16" x 25"	413	0.17	2000

MERV 13

REMOVAL EFFICIENCY (Based on Particle Size)			
	0.3-1.0 Microns	1.0-3.0 Microns	3.0-10 Microns
<b>EAC</b>	89%	95%	98%
<b>MERV 13</b>	63%	88%	93%
<b>MERV 11</b>	37%	67%	92%
<b>MERV 10</b>	22%	56%	92%

\*Air cleaner models no longer available.

Test Method - EAC - AHRI 680-2009, MERV 10-13 - ASHRAE 52.2.2012

COMPATIBLE				
Upgrade Kit	Fits Air Cleaner Size	Filters	Fits Air Cleaner Models by:	Maximum Airflow Capacity (in CFM)
Model 4897	16" x 25"	610, 613	Carrier General Honeywell Lennox Trion Ultravation	2000
	20" x 25"	810, 813		2000
Model 4898	16" x 20"	110, 113		1200
	20" x 20"	310, 313		1200

PRESSURE DROP CHART															
Media No.	Static Pressures at Variable CFM (in. w.c.)														
	200	400	600	800	1000	1200	1400	1600	1800	2000	2200	2400	2600	2800	3000
<b>501</b>	0.02	0.04	0.05	0.08	0.10	0.14	0.17	0.21	0.25	0.29	-	-	-	-	-
<b>113</b>	0.03	0.07	0.11	0.16	0.22	0.29	-	-	-	-	-	-	-	-	-
<b>213</b>	0.02	0.04	0.06	0.09	0.12	0.15	0.19	0.23	0.27	0.31	-	-	-	-	-
<b>313</b>	0.03	0.05	0.09	0.13	0.17	0.23	-	-	-	-	-	-	-	-	-
<b>413</b>	0.02	0.05	0.07	0.10	0.14	0.17	0.22	0.26	0.31	0.37	-	-	-	-	-
<b>513</b>	0.01	0.02	0.04	0.05	0.05	0.07	0.08	0.10	0.11	0.13	0.15	0.17	0.18	0.20	0.23
<b>613</b>	0.02	0.05	0.07	0.10	0.14	0.17	0.22	0.26	0.31	0.37	-	-	-	-	-
<b>813</b>	0.02	0.04	0.06	0.09	0.12	0.15	0.19	0.23	0.27	0.31	-	-	-	-	-
<b>110</b>	0.02	0.05	0.06	0.10	0.14	0.20	-	-	-	-	-	-	-	-	-
<b>210</b>	0.02	0.03	0.04	0.06	0.08	0.11	0.13	0.16	0.19	0.22	-	-	-	-	-
<b>310</b>	0.02	0.04	0.06	0.10	0.14	0.19	-	-	-	-	-	-	-	-	-
<b>410</b>	0.02	0.03	0.05	0.07	0.09	0.12	0.15	0.19	0.22	0.27	-	-	-	-	-
<b>510</b>	0.02	0.02	0.03	0.04	0.04	0.05	0.06	0.07	0.09	0.10	0.12	0.14	0.15	0.17	0.19
<b>610</b>	0.02	0.03	0.05	0.07	0.09	0.12	0.15	0.19	0.22	0.27	-	-	-	-	-
<b>810</b>	0.02	0.03	0.04	0.06	0.08	0.11	0.13	0.16	0.19	0.22	-	-	-	-	-
<b>201</b>	0.02	0.04	0.05	0.08	0.10	0.14	0.17	0.21	0.25	0.29	-	-	-	-	-
<b>401</b>	0.02	0.04	0.05	0.08	0.10	0.14	0.17	0.21	0.25	0.29	-	-	-	-	-

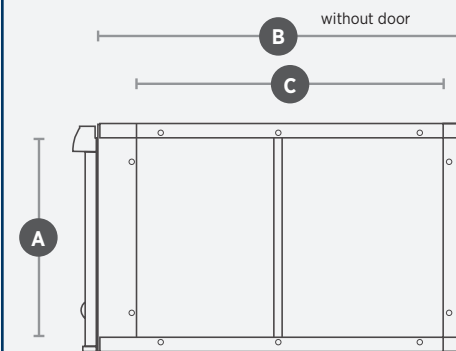
EAC  
MERV 13  
MERV 11  
MERV 10

# 1000 Series WHOLE-HOME AIR CLEANER

## 1000 SERIES SPECIFICATIONS AND SIZING SUMMARY

Model	Nominal Size	Shipping Weight	Replacement Media	
			Ships With	Upgrade To
1110	16" x 20"	13 lbs.	Model 110	Model 113
1210	20" x 25"	18 lbs.	Model 210	Model 213
1310	20" x 20"	15 lbs.	Model 310	Model 313
1410	16" x 25"	17 lbs.	Model 410	Model 413

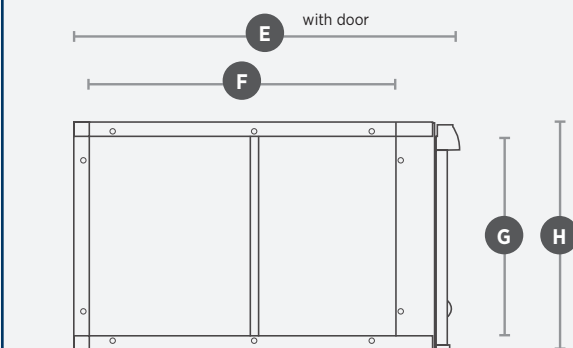
### Inlet Side Return Duct Connection



### Front



### Outlet Side Furnace Connection



Dim.	Description	Model			
		1110	1210	1310	1410
A	Inlet Opening Height	15 1/8" (392mm)	19 3/4" (502mm)	18 1/8" (459mm)	15 1/8" (392mm)
B	Outer Housing Depth without Door	20 1/8" (509.5mm)	25 3/8" (645mm)	20 1/8" (509.5mm)	28 1/8" (713mm)
C	Inlet Opening Width	17 3/8" (441mm)	21 3/8" (538mm)	15 7/8" (403mm)	23 3/8" (606mm)
D	Unit Width	6 3/4" (171mm)	6 3/4" (171mm)	6 3/4" (171mm)	6 3/4" (171mm)
E	Outer Housing Depth with Door	22 1/8" (560mm)	27 3/8" (695mm)	22 1/8" (560mm)	30 1/8" (763mm)
F	Outlet Opening Width	17 3/8" (441mm)	21 3/8" (538mm)	15 7/8" (403mm)	23 3/8" (606mm)
G	Outlet Opening Height	15 1/8" (392mm)	19 3/4" (502mm)	18 1/8" (459mm)	15 1/8" (392mm)
H	Unit Height	17 3/4" (451mm)	22 1/8" (560mm)	20 3/8" (518mm)	17 3/4" (451mm)



With multiple sizes and narrow profile, Aprilaire has the right solution for any application, including new installs, system replacements or add-ons.

Protect equipment, reduce callbacks and grow revenue with our patented media.

## ► FEATURES

- + Ships with MERV 11 filter
- + Can be upgraded to MERV 13 filter with simple media change
- + Minimal maintenance required — simply replace media annually
- + Made of corrosion-resistant heavy gauge galvanized steel
- + Proprietary door design and Self-Seal™ media virtually eliminates air bypass, delivering MERV performance as rated
- + UL classified cabinet and media
- + Load rated up to 400 lbs.
- + 5-year warranty on cabinet from date of installation

## ► BENEFITS

- + Offers equipment protection from dust buildup
- + Assured equipment performance
- + Media revenue — HVAC channel only
- + Superior performance over one inch panel filters and four inch cartridge filters