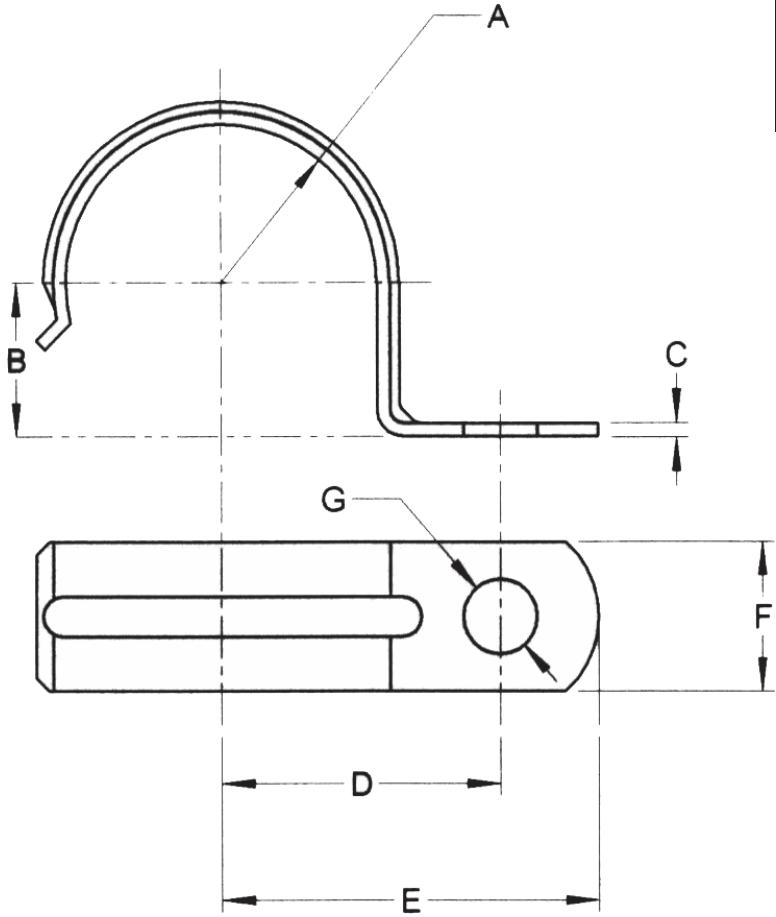


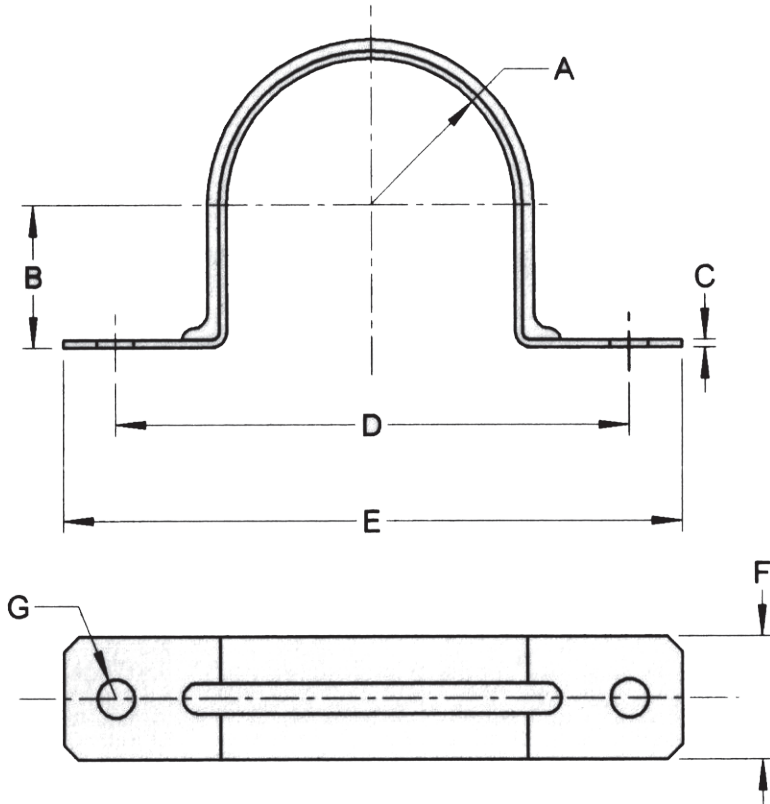
ITEM NO.	SIZE	A	B	C	D	E	F	G
14843	3/8	.340	.300	.057-.065	.937	1.250	.562	.250
14844	1/2	.420	.390	.065-.073	.937	1.375	.625	.250
14845	3/4	.525	.500	.072-.080	1.031	1.562	.750	.250
14846	1	.655	.620	.089-.095	1.250	1.812	.875	.312
14847	1-1/4	.830	.800	.098-.110	1.500	2.000	.875	.375
14848	1-1/2	.950	.920	.098-.110	1.875	2.500	1.000	.437
14849	2	1.185	1.150	.115-.125	2.125	2.75	1.125	.562



MATERIAL: C-1008 STEEL
FINISH: ZINC PLATING

REVISIONS	1 HOLE RIGID STRAPS	
UPDATED ITEM NUMBERS 01-2024		
THICKNESS TOLERANCE 01-2006		
REDRAWN 01-2006	DATE: 08-27-1997	

ITEM NO.	SIZE	A	B	C	D	E	F	G
14856	3/8	.35	.32	.028-.032	1.56	2.00	.50	.188
14857	1/2	.42	.39	.028-.032	1.78	2.25	.56	.188
14858	3/4	.52	.50	.028-.032	2.18	2.62	.62	.188
14859	1	.65	.62	.033-.038	2.53	3.20	.75	.250
14860	1-1/4	.83	.80	.033-.038	3.16	4.00	.87	.250
14861	1-1/2	.95	.92	.043-.050	3.37	4.20	.93	.250
14862	2	1.18	1.15	.043-.050	4.25	5.12	1.00	.375



MATERIAL: G-60 STEEL OR EQUIVALENT

UL LISTED: FILE NO. E 186443



REVISIONS

UPDATED ITEM NUMBERS 01-2024
cUL LISTING ADDED 03-2008
CSA REMOVED 03-2008
THICKNESS TOLERANCE 01-2006
REDRAWN 01-2006

2 HOLE RIGID STRAPS

DATE: 08-27-1997