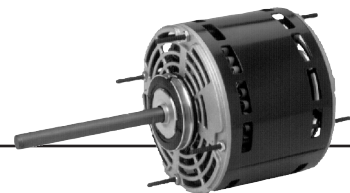


# Permanent Split Capacitor Direct Drive Fan & Blower

## 5.6" Diameter, Open, Air Over

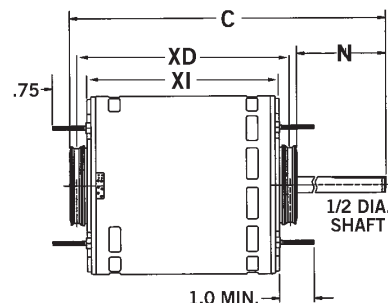


### APPLICATIONS:

Residential and commercial condensing unit fan motors.

### FEATURES:

- Stud Extensions On Popular Models
- Designed for use with 370V Capacitors
- Class B Insulation
- 24" Leads
- Continuous Duty, Air Over
- Sleeve Bearings Have All Angle Thrust System
- Reversible Rotation
- Automatic Reset Thermal Overload Protector
- Connection And Capacitor Information Furnished In The Nameplate Data
- 2.5" Dia. Hub Rings Included
- Discount Symbol: DS-3HAC



### Hub Ring Mount (2.5") except as noted, Without Capacitor

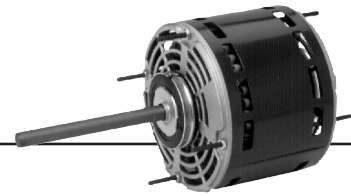
HP	RPM/Spd.	Volts	Catalog Number	List Price	Cap. MFD	Amps	Shaft N	Base XD	Shell XI	Total C	Ship Wgt.	Notes	OEM
1/8	1075	230	3484	\$148	5.0	1.0	2.3	-	3.6	6.4	9	LA	RH
1/6	1050	115/230	8479	\$121	5.0	1.0	4.0	4.5	4.1	9.2	12	5	
	1075/3	277	5827	\$144	5	0.90	6.0	-	4.3	11.4	13	LA	
1/5	1075	115	8481	\$140	5.0	3.0	4.0	4.5	4.1	9.2	11	5	
1/4	1075	115	1345	\$106	5.0	4.0	2.5	4.7	4.3	7.7	12	5	
	1075	115/208-230	8485	\$135	4.0	3.0	4.0	4.7	4.3	9.4	14	5	
	1050/3	115	1344	\$108	5.0	4.8	5.0	4.7	4.3	10.2	12	5	
	1075/3	115	1863	\$88	5.0	3.9	5.0	4.9	4.3	10.4	12		
	1625/3	115	1690	\$138	10.0	2.7	5.0	4.9	4.3	10.4	13		
	1075/3	208-230	1971	\$90	5.0	1.8	5.0	4.9	4.3	10.4	11		
	1075/3	277	600	\$144	4.0	1.6	5.0	5.1	4.6	10.7	14	3	
1/3	1625/3	208-230	1691	\$140	5.0	1.4	5.0	5.0	4.3	10.4	12		
	1075/3	115	1864	\$90	7.5	5.0	5.0	5.1	4.6	10.7	12		
	1075/3	115	1346	\$123	5.0	6.7	5.0	5.0		10.4	13	5	
	1075/4	115	1410	\$191	7.5	5.3	2.5	5.5	4.8	8.4	16		CA
	1075/3	208-230	1972	\$93	5.0	2.4	5.0	4.9	4.3	10.4	13		
	1075/3	208-230	8060	\$231	5.0	2.0	2.5	-	3.8	6.9	11	LA	LE
	1075/3	277	601	\$148	4.0	2.2	5.0	5.2	4.7	10.7	14	3	
1/2	1625/3	208-230	1693	\$150	5.0	2.1	5.0	5.1	4.6	10.7	13		
	825/2	208-230	8064	\$194	20.0	4.4	2.5	5.6	6.1	9.0	21	3	LE
	1075/3	115	1865	\$109	10.0	7.4	4.0	6.0	5.4	10.4	19		
	1625/3	115	1694	\$163	15.0	5.5	5.0	5.9	5.3	11.4	17	6	
	1075/3	208-230	1973	\$113	7.5	3.3	5.0	5.9	5.3	11.4	19		
	1075/3	277	602	\$200	6.0	3.4	5.0	5.5	4.9	10.9	16	3	
	1075/4	115	6491	\$124	7.5	8.8	5.0	-	5.1	10.1	16	3, 7	
1625/3	208-230	1695	\$165	7.5	3.0	5.0	5.9	5.3	11.4	17			

Note 2 Class B Insulation, Studs Shaft Side Only, Ball Bearings  
 Note 3 No Stud Extension  
 Note 4 36" Leads, 2.25" Dia. Hubs With 2.5" Dia. Kit Included.  
 Note 5 Shaft-End Studs Only  
 Note 6 Class A Insulation

Note 7 Band Mount  
 Note 8 CCWLE, Non Reversible Hubless  
 Note 9 Ball Bearings  
 Note LA Limited Availability

# Permanent Split Capacitor Direct Drive Fan & Blower

## 5.6" Diameter, Open, Air Over



### APPLICATIONS:

Residential and commercial condensing unit fan motors.

Discount Symbol: DS-3HAC

HP	RPM/Spd.	Volts	Catalog Number	List Price	Cap. MFD	Amps	Shaft N	Base XD	Shell XI	Total C	Ship Wgt.	Notes	OEM
3/4	1625/3	115	1696	\$189	15.0	8.6	5.0	6.1	5.6	11.7	20		
	1625/3	208-230	1697	\$193	10.0	4.0	5.0	6.1	5.6	11.7	18	6	
	1075/3	115	8904	\$123	15.0	9.1	4.0	6.0	5.4	10.4	19	3	
	1075/3	208-230	8905	\$125	10.0	4.6	4.0	6.0	5.4	10.4	19	3	
	1075/3	208-230	8066	\$225	10.0	4.5	2.5	4.6	5.1	8.7	18	LA	LE
	1075/3	277	5847	\$219	15	4.1	6.0	6.7	-	13.2	21	9, LA	
	1075/3	460	8067	\$293	12.5	2.3	2.5	-	5.1	8.1	16	8, LA	LE
	1075/4	115	3340	\$214	7.5	12.1	6.0	4.8	5.3	12.4	18		CA
	1075/4	115	6452	\$141	15.0	11.2	5.0	-	5.8	10.8	18	3, 7	
	1075/5	208-230	8057	\$313	-	4.6	2.5	-	5.3	8.9	19	LA	
1	1625/3	115	1699	\$205	25.0	11.1	6.0	6.4	5.9	12.9	21	4	
	1625/3	208-230	1700	\$206	20.0	5.1	6.0	5.9	5.4	12.4	21	4, LA	
	1075/3	115	8906	\$221	20.0	12.1	5.0	6.6	6.1	12.2	20	2	
	1075/3	208-230	8907	\$224	20.0	5.2	5.0	6.6	6.1	12.2	21	2	
	1075/3	277	5852	\$250	30.0	6.9	6.0	7.2	-	13.7	24	LA	

Note 2 Class B Insulation, Studs Shaft Side Only, Ball Bearings

Note 3 No Stud Extension

Note 4 36" Leads, 2.25" Dia. Hubs With 2.5" Dia. Kit Included.

Note 5 Shaft-End Studs Only

Note 6 Class A Insulation

Note 7 Band Mount

Note 8 CCWLE, Non Reversible Hubless

Note 9 Ball Bearings

Note LA Limited Availability