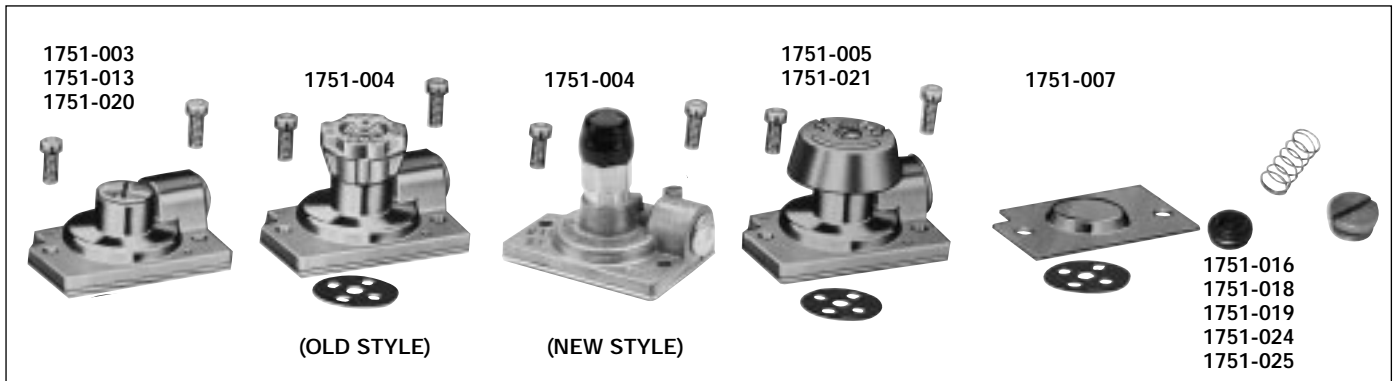


## 1751 ADD-ON PRESSURE REGULATOR KITS

The 1751 Series Add-on pressure regulator kits are available for use on the following factory model types; 7000, 7010, 7100, 7200 & 7222. Consult order chart below for specific application specifications.

Each 1751 pressure regulator kit provides "straight-line" regulation and includes all the necessary parts including instructions to convert a specific factory model gas valve.



### ORDERING DATA

UNI-LINE ORDER NO.	REGULATOR TYPE	700 SERIES (MODEL 7000)							ADJ. W.C. PRESSURE		SUITABLE FOR	
		700 SERIES (MODEL 7000) ★	710 SERIES (MODEL 7000 LC)	700 SERIES (MODEL 7100)	720 SERIES (MODEL 7200)	700 SERIES (MODEL 7100) STEP-OPENING ONLY	720 SERIES (MODEL 7200) STEP-OPENING ONLY	722 SERIES (MODEL 2000)	LOW	HIGH	NAT. GAS	L.P. GAS
1751-003	3.5" W.C. NAT. GAS	★	•						3"	7"	•	
1751-004	3.5" W.C. NAT. & 11.0" W.C. L.P. GAS	★	•								•	•
1751-005	HI-LOW (ADJ. OUTPUT)	★	•						1.7"	3.5"	•	
1751-007	REGULATOR COVER PLATE	★	•								•	•
1751-013	11.0" W.C. L.P. GAS	★	•						8"	12"		•
1751-016	11.0" W.C. L.P. GAS			•	•				8"	12"		•
1751-018	3.5" W.C. NAT. GAS			•	•				3"	7"	•	
1751-019	11.0" W.C. L.P. GAS					•	•		8"	12"		•
1751-020	10.0" L.P. GAS	★	•						8"	12"		•
1751-021	HI-LOW ADJ. OUTPUT L.P. GAS	★	•						2.7"	11"		•
1751-024	3.5" W.C. NAT. GAS							•	3"	6"	•	
1751-025	11.0" L.P. GAS							•	8"	12"		•

★ Except hydraulic models which cannot be field converted.

† Converts a regulated 700 or 710 series gas valve to a non-regulated valve for use in a system with an external pressure regulator.

## 4080 SERIES APPLIANCE PRESSURE REGULATORS

Complete specifications and ordering information on the 4080 Series pressure regulator can be found on page E27.

