

# Gas Ball Valve

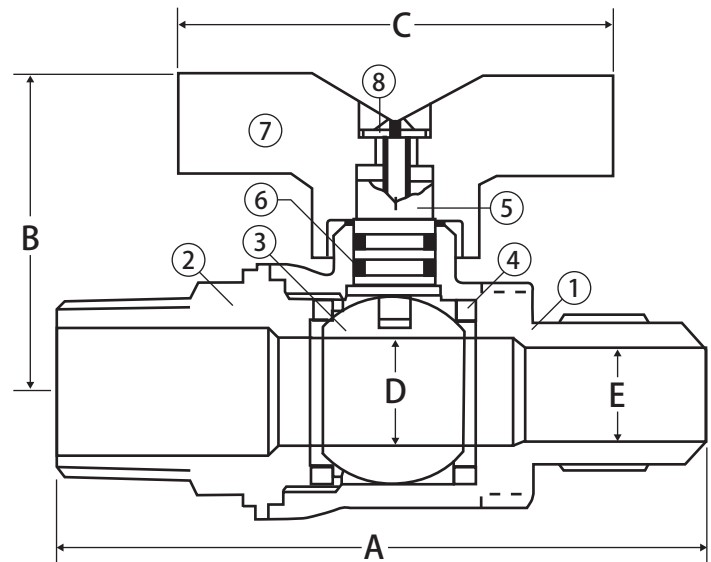


## 2 Piece • MIP x Flare Connection • 600 WOG



**T-204 MIP x FL**

CRN# 0C16887.5469870YTN



### Features

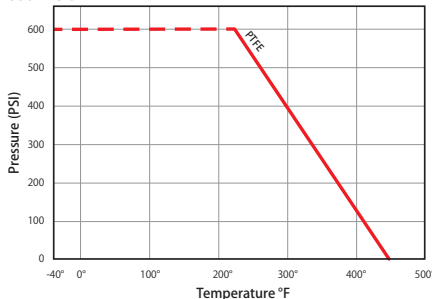
- T-Handle and Teardrop Handle Available on Most Configurations
- Valve Can be Locked in Closed Position by Reversing Handle
- 2 NBR O-Rings
- 100% Leak Tested
- 100% Made in Italy
- Leakproof Stem - Lifetime Warranty
- Use Model T-100NE for Sizes Above 3/4"

### Approvals

- UL Listed
  - YQNZ - Compressed Gas Shut-Off Valves
  - YRPV - Gas Shut-Off Valves
  - YSDT - LP Gas Shut-Off Valves
  - MHKZ - Manual Valves
  - YRBX - Flammable Liquid Shut-Off Valves
  - SFJQ - Valves, Refrigerant
- CSA Certified
  - ANSI Z21.15 (.5 PSIG)
  - ASME B16.44 (5 PSI)
  - CSA 9.4:21 (5 PSIG) – indoor/outdoor uses
- ANSI B1.20.1
- MSS SP-110
- Flare Connection in Accordance with NFPA 54/ANSI Z223.1
- Buy American Act Compliant

### Valve Seat Rating

600 WOG




### Material Specifications

No.	Part	Materials
1	Body	Brass - C37700
2	End Connection	Brass - C37700
3	Ball	Chrome Plated Brass - C38500
4	Seat (2)	PTFE
5	Stem	Brass - C38500
6	Stem O-ring (2)	NBR
7	Handle	Aluminum
8	Handle Screw	Steel - Geomet® Plated

### Dimensions

Part No.	Size	A	B	C	D	E
101-702	1/2" MIP x 3/8" FL	2.84	1.63	2.32	0.47	0.40
101-703	1/2" MIP x 1/2" FL	3.00	1.63	2.32	0.47	0.40

 **WARNING:** This product can expose you to chemicals including lead, which is known to the State of California to cause cancer, and lead, which is known to the State of California to cause birth defects or other reproductive harm. For more information go to [www.P65Warnings.ca.gov](http://www.P65Warnings.ca.gov).

