

4

3

2

1

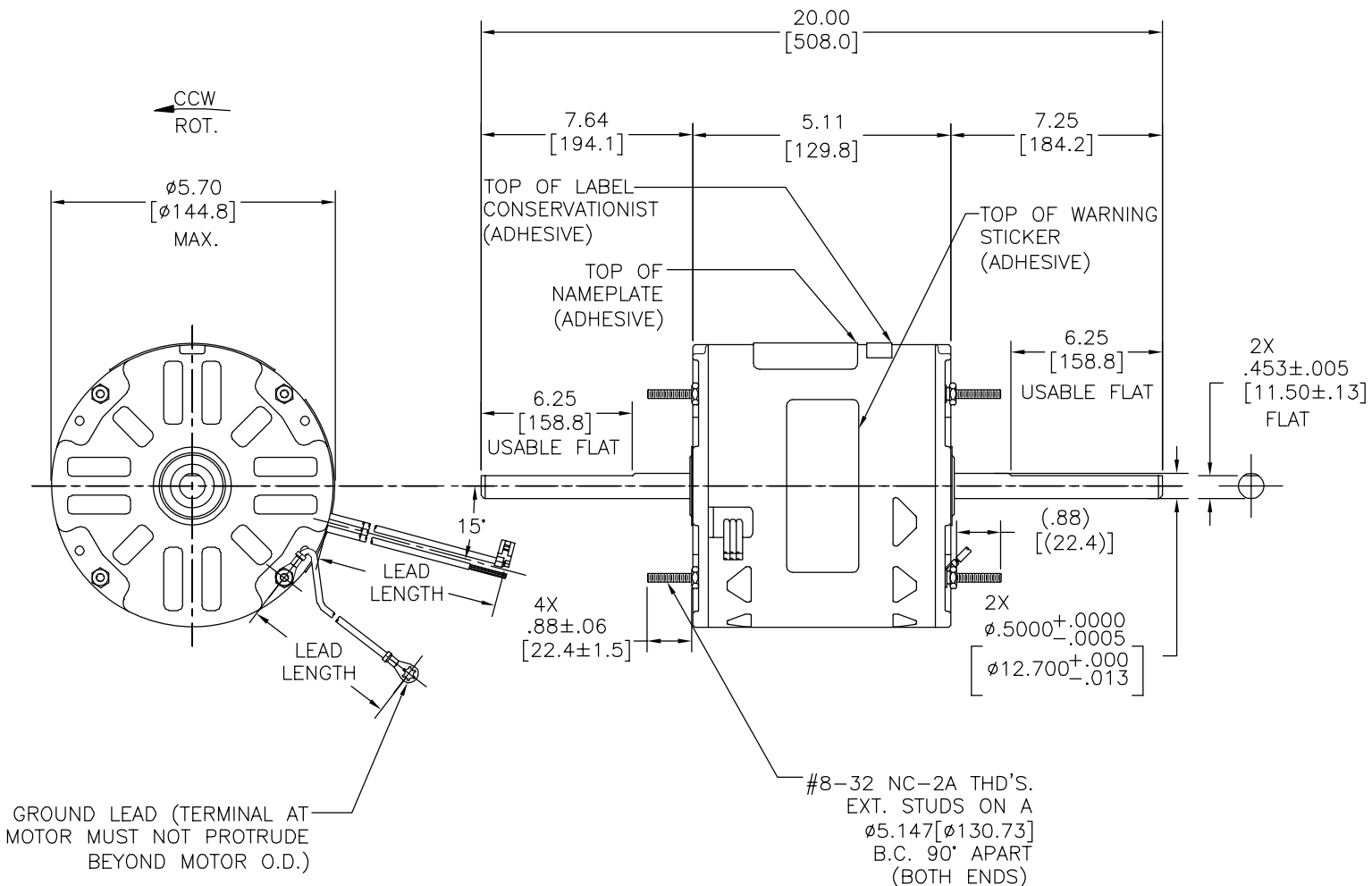
REV	ECO	REV BY	DATE	APPD	DATE
D	ECO-0024313	C.ZHANG	02-16-2012	B.C.SHEN	02-16-2011

GENERAL INFORMATION:

SHAFT RUNOUT: .001[.03] T.I.R. PER INCH LENGTH OF EXTENSION.  
 END PLAY: .010[.25] TO .063[1.60]  
 BEARINGS: SLEEVE  
 MOUNTING POSITION: HORIZONTAL

ELECTRICAL DATA:

OVERLOAD PROTECTOR: AUTOMATIC RESET (T.I. 7AM 036)  
 LEADS: NO. 18 GA., .06[1.5] THK. PVC 105°C INSUL.  
 GROUND LEAD: NO. 18 GA., .03[.8] THK., (GREEN) INSUL.



NAMEPLATE DATA:	EXTERNAL CONNECTION DIAGRAM
MODEL NO.: F48E66A01 CUST. P/N: SA1056 HP: 1/2 ROT.: CCWLE RPM: 1075/3 SPD. TYPE: UF FRAME: 48Y VOLTS: 208-230 PH: 1 AMPS: 2.7(3.4 MAX.) HZ: 60 INS.: B AMB.: 60° C DUTY: AIR OVER CAP.: 7.5 MFD/370V ENCL: SEMI-ENCL. CSA LOGO UL LOGO THERMALLY PROTECTED	
	614131-106

COLOR	LENGTH	TERMINAL OR STRIP LENGTH
GREEN(GRD)	29.0/31.0 [737/787]	#10 EYELET
BROWN/WHITE	35.0/37.0 [889/940]	.25[6.4] FLAG
BROWN	35.0/37.0 [889/940]	.25[6.4] FLAG
WHITE	35.0/37.0 [889/940]	.60[15.2] SKIN
BLACK	35.0/37.0 [889/940]	.60[15.2] SKIN
BLUE	35.0/37.0 [889/940]	.60[15.2] SKIN
RED	35.0/37.0 [889/940]	.60[15.2] SKIN

ENCLOSURE	CUSTOMER	DISTRIBUTION SERVICE
MAIN FRAME - OLE	SEMI-ENCLOSED	
END FRAME - OLE	OPEN	
MAIN FRAME - LE	SEMI-ENCLOSED	
END FRAME - LE	OPEN	

PERFORMANCE CURVE NO.	TORQUE @ 1100 RPM (25°C)	APPROVED SAMPLE	UL COMPONENT FILE #	CCN #	CSA FILE #	CLASS #
C23004	42.5 OZ. FT.	EX11257	E46412	PRGY2	LR43341	4211-01

GEOMETRIC CHARACTERISTICS & SYMBOLS	REGAL-BELOIT CORPORATION (RBC) PROVIDES TECHNICAL ASSISTANCE TO OUR CUSTOMERS IN SEVERAL AREAS. SINCE RBC DOES NOT RECEIVE ALL DATA CONCERNING THE USE AND APPLICATION OF THE MOTOR, THE SUITABILITY OF THE MOTOR FOR THE APPLICATION MUST BE DETERMINED BY THE CUSTOMER.
□ FLATNESS — STRAIGHTNESS ∠ ANGULARITY ⊥ PERPENDICULARITY (SQUARENESS) ∥ PARALLELISM ○ ROUNDNESS (CIRCULARITY) ∅ CYLINDRICITY △ PROFILE OF ANY SURFACE ∩ PROFILE OF ANY LINE ↗ RUNOUT ⊕ TRUE POSITION ⊙ CONCENTRICITY = SYMMETRY	DIMENSIONS WITHOUT TOLERANCES ARE FOR REFERENCE ONLY. ASME Y14.5M 1994

REGAL-BELOIT CORPORATION (RBC) PROVIDES TECHNICAL ASSISTANCE TO OUR CUSTOMERS IN SEVERAL AREAS. SINCE RBC DOES NOT RECEIVE ALL DATA CONCERNING THE USE AND APPLICATION OF THE MOTOR, THE SUITABILITY OF THE MOTOR FOR THE APPLICATION MUST BE DETERMINED BY THE CUSTOMER.

DR BY:	C.ZHANG	02-16-2012
APPD:	B.C.SHEN	02-16-2012
THIRD ANGLE PROJECTION		
EDS DATE	11-11-2011	
FORMAT REV	G	

CONFIDENTIAL: THIS DRAWING AND ITS INFORMATION ARE THE EXCLUSIVE AND CONFIDENTIAL PROPERTY OF REGAL-BELOIT CORPORATION AND ARE NOT TO BE DISCLOSED, DUPLICATED, DISTRIBUTED OR OTHERWISE USED WITHOUT THE WRITTEN CONSENT OF REGAL-BELOIT CORPORATION. -ALL RIGHTS RESERVED.

DESCRIPTION	
MODEL-RFHP-48FR	
OUTLINE	
SIZE	DWG NO
C	SA1056
SCALE	SHEET
NONE	1

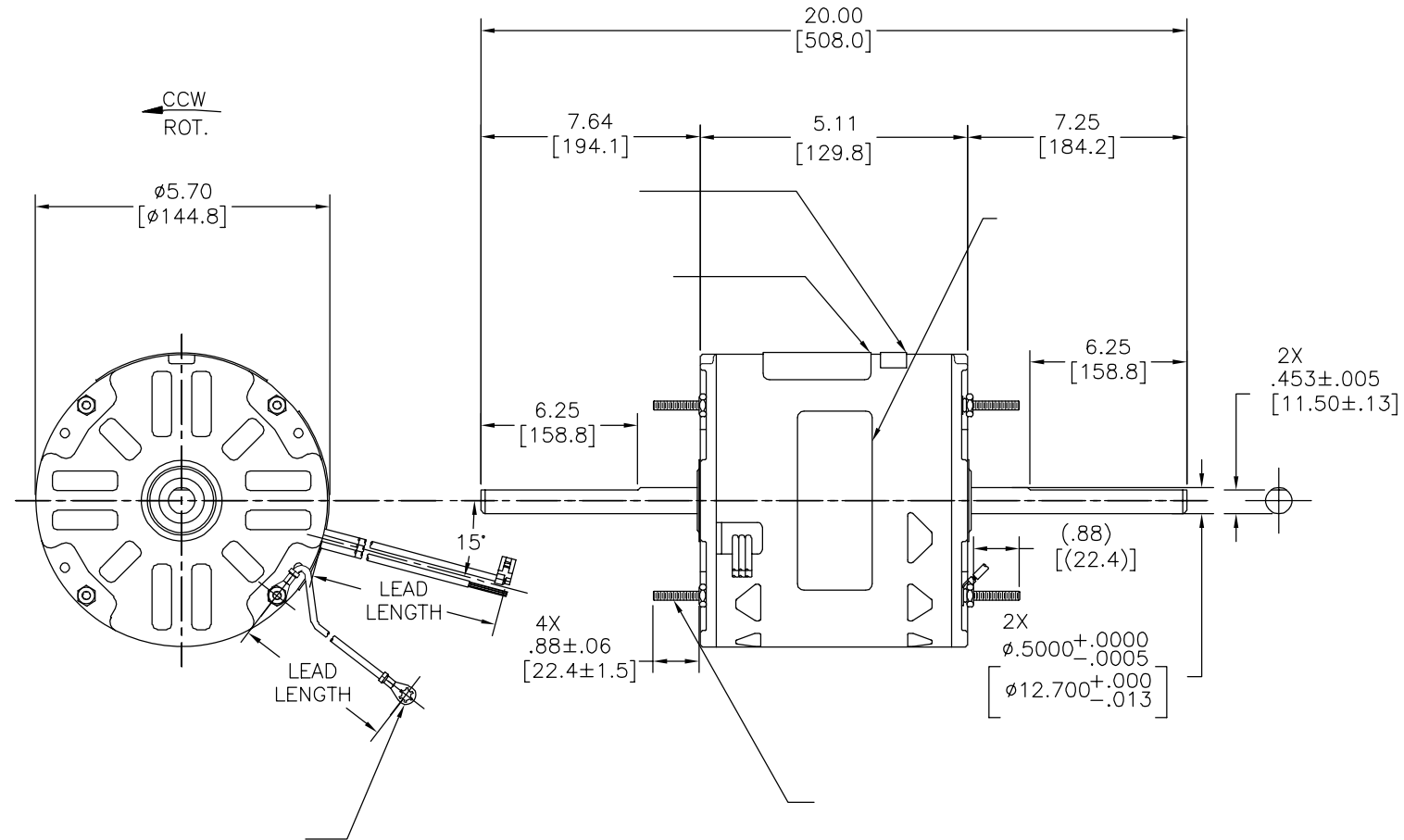
4

3

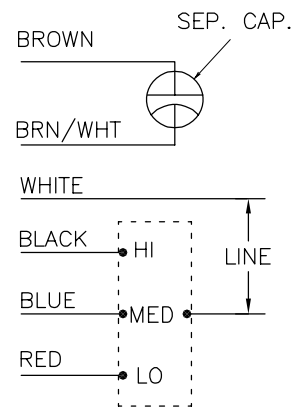
2

1

REVISION:	ECO	REVISADO POR:	FECHA:	APROBADO POR:	FECHA:
D	ECO-0024313	C.ZHANG	02-16-2012	B.C.SHEN	02-16-2011



MODEL NO.: F48E66A01  
 CUST. P/N: SA1056  
 HP: 1/2  
 ROT.: CCWLE  
 RPM: 1075/3 SPD.  
 TYPE: UF  
 FRAME: 48Y  
 VOLTS: 208-230  
 PH: 1  
 AMPS: 2.7(3.4 MAX.)  
 HZ: 60  
 INS.: B  
 AMB.: 60° C  
 DUTY: AIR OVER  
 CAP.: 7.5 MFD/370V  
 ENCL: SEMI-ENCL.  
 CSA LOGO  
 UL LOGO  
 THERMALLY PROTECTED



614131-106

	29.0/31.0	
	[737/787]	
	35.0/37.0	
	[889/940]	
	35.0/37.0	
	[889/940]	
	35.0/37.0	
	[889/940]	
	35.0/37.0	
	[889/940]	
	35.0/37.0	
	[889/940]	
	35.0/37.0	
	[889/940]	

C23004 42.5 OZ. FT. EX11257 E46412 PRGY2 LR43341 4211-01

DISTRIBUTION SERVICE

CARACTERISTICAS DE GEOMETRIA Y SIMBOLOS  
 ▢ PLANICIDAD  
 — RECTITUD  
 < ANGULARIDAD  
 ⊥ PERPENDICULARIDAD (A ESCUADRA)  
 // PARALELISMO  
 ○ REDONDEZ (CIRCULARIDAD)  
 ∅ CILINDRICIDAD  
 △ PERFIL DE CUALQUIER SUPERFICIE  
 ▲ PERFIL DE CUALQUIER LINEA  
 ↗ VARIACION  
 ⊕ POSICION REAL  
 ⊙ CONCENTRICIDAD  
 = SIMETRIA  
 ASME Y14.5M 1994

REGAL-BELOIT CORPORATION (RBC) PROVEE ASISTENCIA TECNICA A NUESTROS CLIENTES EN VARIAS AREAS. DESDE QUE RBC NO RECIBE TODOS LOS DATOS EN RELACION AL USO Y A LA APLICACION DEL MOTOR, LA APLICACION ADECUADA DEL MOTOR DEBE SER DETERMINADA POR EL CLIENTE.

DIMENSIONES SIN TOLERANCIA SON DE REFERENCIA SOLAMENTE

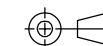
DIBUJADO POR: C.ZHANG

02-16-2012

APROBADO POR: B.C.SHEN

02-16-2012

TERCER ANGULO DE PROYECCION



FECHA EDS: 11-11-2011

REV. FORMATO: G

CONFIDENCIAL: ESTE DIBUJO Y SU INFORMACION SON PROPIEDAD DE USO EXCLUSIVO Y CONFIDENCIAL DE REGAL-BELOIT CORPORATION. Y NO DEBERAN SER REVELADOS, DUPLICADOS, DISTRIBUIDOS O USARSE DE OTRA MANERA SIN EL CONSENTIMIENTO ESCRITO DE REGAL-BELOIT CORPORATION. -TODOS LOS DERECHOS RESERVADOS.



DESCRIPCION:

MODEL-RFHP-48FR  
 OUTLINE

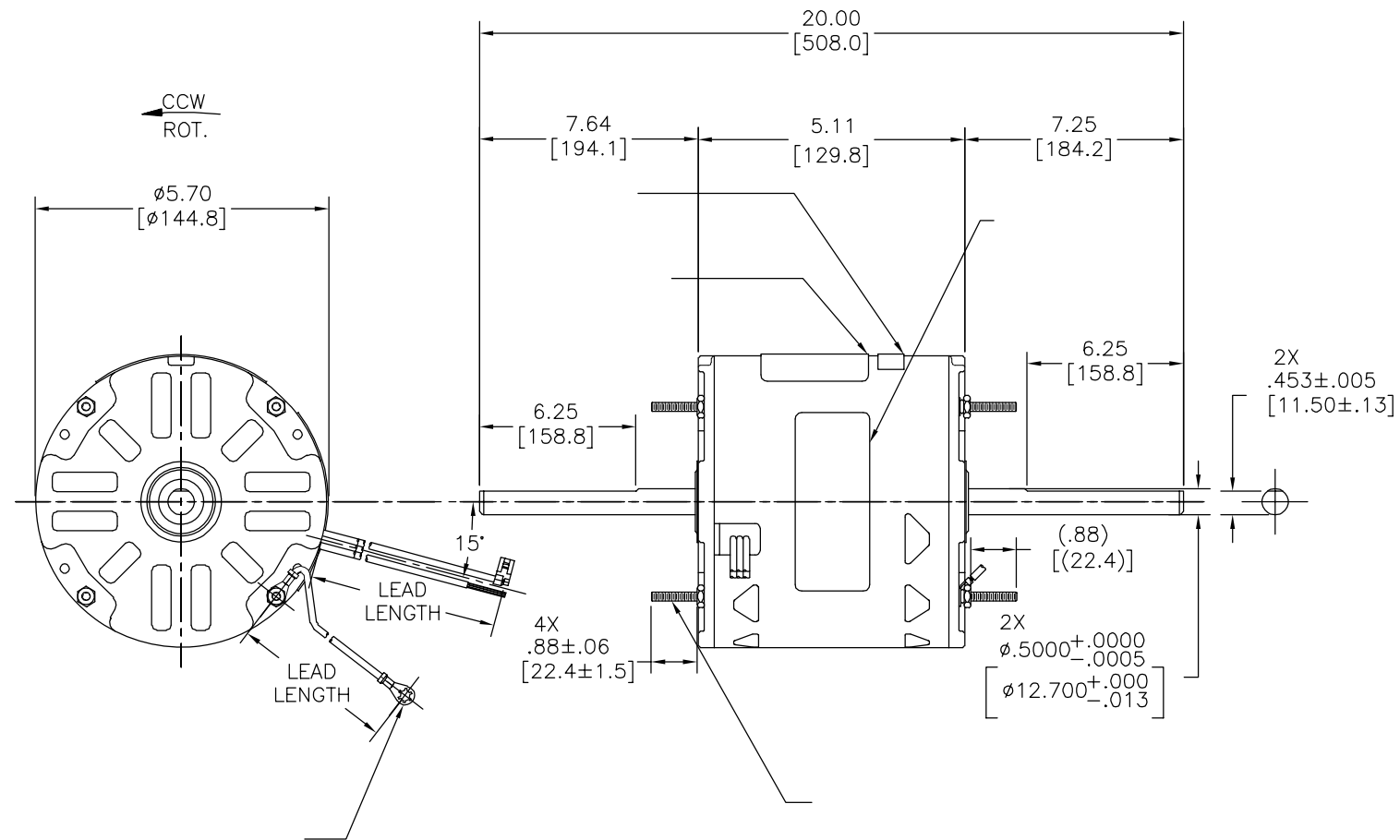
TAMAÑO: C

NUMERO DE DIBUJO: SA1056

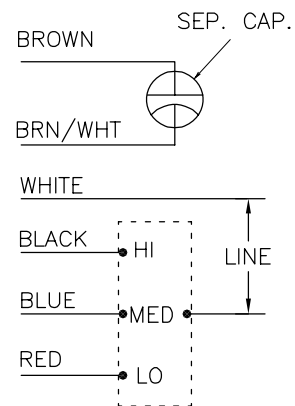
ESCALA: NONE

HOJA: 1

版本	ECO	编制	日期	批准	日期
D	ECO-0024313	C.ZHANG	02-16-2012	B.C.SHEN	02-16-2011



MODEL NO.: F48E66A01  
 CUST. P/N: SA1056  
 HP: 1/2  
 ROT.: CCWLE  
 RPM: 1075/3 SPD.  
 TYPE: UF  
 FRAME: 48Y  
 VOLTS: 208-230  
 PH: 1  
 AMPS: 2.7(3.4 MAX.)  
 HZ: 60  
 INS.: B  
 AMB.: 60° C  
 DUTY: AIR OVER  
 CAP.: 7.5 MFD/370V  
 ENCL: SEMI-ENCL.  
 CSA LOGO  
 UL LOGO  
 THERMALLY PROTECTED



614131-106

	29.0/31.0	
	[737/787]	
	35.0/37.0	
	[889/940]	
	35.0/37.0	
	[889/940]	
	35.0/37.0	
	[889/940]	
	35.0/37.0	
	[889/940]	
	35.0/37.0	
	[889/940]	

C23004	42.5 OZ. FT.	EX11257	E46412	PRGY2	LR43341	4211-01
--------	--------------	---------	--------	-------	---------	---------

- 形位公差
- 平面度
- 直线度
- ∠ 倾斜度
- ⊥ 垂直度
- // 平行度
- 圆度
- ⊘ 圆柱度
- △ 面轮廓度
- ∩ 线轮廓度
- ↗ 圆跳动
- ⊕ 位置度
- ⊙ 同轴度
- ≡ 对称度

ASME Y14.5M 1994

REGAL-BELOIT CORPORATION  
 (RBC)在个别领域为客户  
 提供技术支持。鉴于RBC  
 未收到任何涉及电机使用和  
 应用环境的数据，电机的适用性  
 由客户自己决定。

未注公差尺寸仅供参考。

绘图:	C.ZHANG	02-16-2012
批准:	B.C.SHEN	02-16-2012
第三角投影		图纸格式发布日期 11-11-2011 图纸格式版本 G
机密:	本图纸及相关信息所有权归REGAL-BELOIT CORPORATION 未经REGAL-BELOIT CORPORATION书面授权，不得泄露、 复制、传播或作其他用途。一版权所有	



名称	MODEL-RFHP-48FR OUTLINE	
图幅	C	图号 SA1056
比例	NONE	页号 1

4

3

2

1

4

3

2

1