

## PARKER - THERMOSTATIC EXPANSION VALVES TXV MODEL NUMBER SELECTION

### Parker TEV Model Visual

#### N Series TEV



**Applications:**  
Low Profile Coolers,  
Ice Machines,  
Beverage Dispensers

#### C(E) Series TEV



**Applications:**  
Rail and Transport  
Refrigeration,  
Supermarket Cases,  
Walk-in Coolers

#### SC(E) Series TEV



**Applications:**  
Supermarket Cases,  
Walk-in Freezers,  
Ice Machines

#### EC(E) Series TEV



**Applications:**  
Supermarket Cases,  
Transport Refrigeration,  
Walk-in Coolers

#### H Series TEV



**Applications:**  
Air Conditioning,  
Heat Pumps, Bi-flow  
(Package Systems)

#### HC Series TEV



**Applications:**  
Air Conditioning,  
Heat Pumps

#### LOWER ELEMENTS FOR MODEL SC(E), EC(E), AND C(E) SERIES VALVES

Part Number	Model Number	Refrigerant	Cap. tube length (inches)	Evaporator Temperature Range
180376	KT-46-JW	R12, R134A	60	Used from -40 to +60 degrees F
180384	KT-46-JX60	R12, R134A	60	Used from +10 to +60 degrees F
180424	KT-46-VZ	R22, R407C	60	Used from -40 to 0 degrees F
180416	KT-46-VW	R22, R407C	60	Used from -40 to +60 degrees F
180418	KT-46-VX35	R22, R407C	60	Used from -40 to +10 degrees F
180420	KT-46-VX75	R22, R407C	60	Used from -40 to +10 degrees F
180422	KT-46-VX100	R22, R407C	60	Used from +10 to +60 degrees F
180394	KT-46-SW	R502, R404A, R507	60	Used from -40 to +60 degrees F
180396	KT-46-SX35	R502, R404A, R507	60	Used from -40 to +10 degrees F
180406	KT-46-SX110	R502, R404A, R507	60	Used from +10 to +60 degrees F
180414	KT-46-SZ	R502, R404A, R507	60	Used from -40 to 0 degrees F

## PARKER - EG AND EGE SERIES - THERMOSTATIC EXPANSION VALVES SC AND SCE SERIES

The SC series refrigeration right angle brass body expansion valve incorporates a replaceable power element, and a removable inlet strainer, making it an ideal choice for commercial refrigeration and supermarket applications. New Rainbow Charges™ are noted below for use on medium temperature ("W" charges), low temperature ("Z" charges) or MOP ("X" charges). See details on page 5.

### Applications:

- Supermarket Cases
- Self-contained Cases
- Walk-in Coolers/Freezers
- Ice Machines
- Salad Bars
- Transport Refrigeration

### Features:

- Replaceable power element
- 30" capillary tube
- Removable inlet strainer
- Field adjustable superheat
- 1/4" ODF external equalizer
- W, Z or MOP (X) charges available
- Weight: 1.0 lbs/0.45 kg



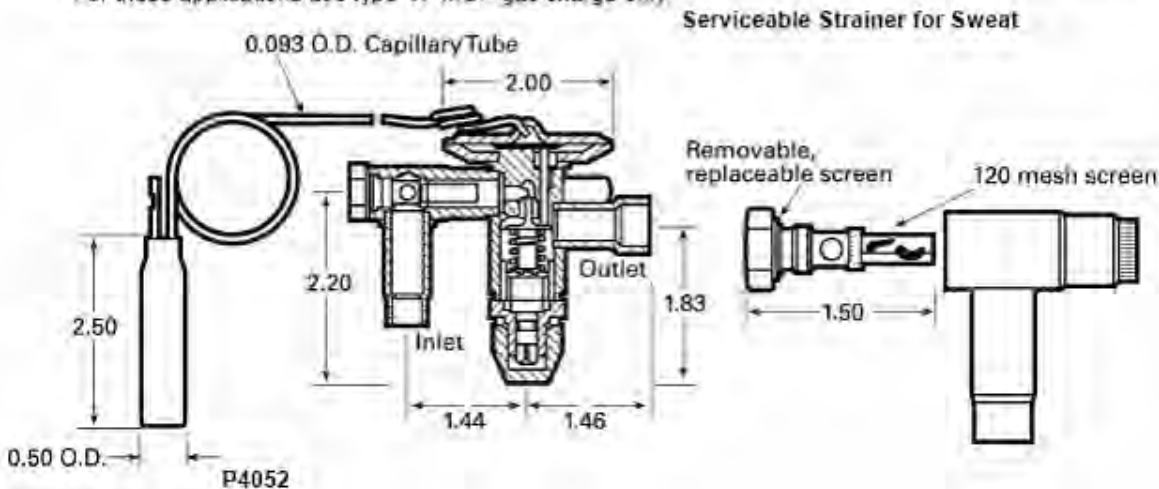
P4051

### SC Series

Refrigerant	Refrigerant designation	Nominal capacity	Internally equalized	Externally equalized	Rainbow charges™	Inlet connections	Outlet connections
R-12 R-134a R-401A R-401B	J	1/8 1/4 1/2 1 1-1/2 2	SC-AAA-J SC-AAA-J SC-AA-J SC-A-J SC-B-J SC-B-J	SCE-AAA-J SCE-AAA-J SC-AA-J SCE-A-J SCE-B-J SCE-B-J	W, X80	3/8" ODF	1/2" ODF
R-402B R-404A R-402A R-502 R-507	S	1/8 1/4 1/2 1 1 1/2	SC-AAA-S SC-AAA-S SC-AAA-S SC-A-S SC-B-S SC-B-S	SCE-AAA-S SCE-AAA-S SCE-AAA-S SCE-AA-S SCE-B-S SCE-B-S	W, Z, X35, X110	3/8" ODF	1/2" ODF
R-22 R-407C	V	1/4 1/2 1 1-1/2 2 2-1/2 3	SC-AAA-V SC-AA-V SC-A-V SC-A-V SC-B-V SC-B-V SC-B-V	SCE-AAA-V SCE-AA-V SCE-A-V SCE-A-V SCE-B-V SCE-B-V SCE-B-V	W, Z, X35, X100	3/8" ODF	1/2" ODF

### NOTES

1. Maximum operational pressure 500 psig (35 bars) high side and 275 psig (19 bars) low side.
2. Maximum storage temperature 130° F (55° C).
3. Consult Parker for pressure and temperature exceptions.
4. Do not use "W" or "Z" liquid charges in applications where bulb temperatures can exceed 130° F (55° C). For these applications use type "X" MOP gas charge only.



# Refrigeration

## PARKER - EG AND EGE SERIES - THERMOSTATIC EXPANSION VALVES

R-12, R-134a, R-401A, R-401B

### SC & SCE Series (Replaces EG and EGE Series)

#### Refrigerants R-12, R-134a, R-401A, R-401B

PART NO	MODEL NO	NOMINAL TONS	INLET (in ODF)	OUTLET (in ODF)	EQUALIZER (in ODF)
040413-05	SCE-AA-JW	1/2	3/8	1/2	1/4
040413-07	SCE-A-JW	1	3/8	1/2	1/4
040414-01	SCE-B-JW	1-2	3/8	1/2	1/4

#### Refrigerants R-22, R407C

PART NO	MODEL NO	NOMINAL TONS	INLET (in ODF)	OUTLET (in ODF)	EQUALIZER (in ODF)
040406-09	SCE-AAA-VW	1/4	3/8	1/2	1/4
040406-13	SCE-AA-VW	1/2	3/8	1/2	1/4
040406-15	SCE-AA-VZ	1/2	3/8	1/2	1/4
040407-09	SCE-A-VW	1	3/8	1/2	1/4
040407-11	SCE-A-VZ	1	3/8	1/2	1/4
040408-13	SCE-B-VW	2	3/8	1/2	1/4
040407-15	SCE-B-VZ	2	3/8	1/2	1/4

#### Refrigerants R-402A, R-402B, R-404A, R-502, R-507

PART NO	MODEL NO	NOMINAL TONS	INLET (in ODF)	OUTLET (in ODF)	EQUALIZER (in ODF)
040415-15	SCE-AAA-SZ	1/4	3/8	1/2	1/4
040416-09	SCE-AA-SW	1/2	3/8	1/2	1/4
040416-11	SCE-AA-SZ	1/2	3/8	1/2	1/4
040416-13	SCE-A-SW	1	3/8	1/2	1/4
040416-15	SCE-A-SZ	1	3/8	1/2	1/4
040417-09	SCE-B-SW	1-1/2	3/8	1/2	1/4
040417-10	SCE-B-SX35	1-1/2	3/8	1/2	1/4
040417-11	SCE-B-SZ	1-1/2	3/8	1/2	1/4

Compressors,  
Chillers, Condensers

Motors

Electrical

Heating  
Components

Indoor Air  
Quality

Thermostats

Oils &  
Chemicals

Accessories, Supplies  
& Commodities

Tools &  
Instruments

Refrigeration

## PARKER - HAE SERIES AND HCAE SERIES - THERMOSTATIC EXPANSION VALVES

The H series balanced port valve is designed specifically for air conditioning and heat pumps used in both air or water source systems. It offers features such as select indoor and/or outdoor thermostatic Rainbow Charges™, bleeds, and a variety of connection styles for the inlet, outlet, and external equalizer. The HC series adds a built-in 5 ton check valve for R-22, R-407C and R-410A heat pump applications with either factory set or field adjustable superheat.



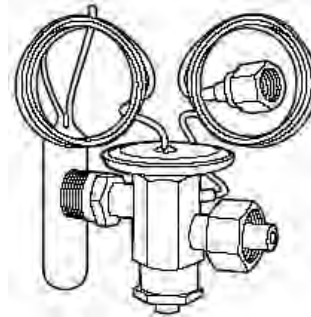
P4059

### APPLICATIONS:

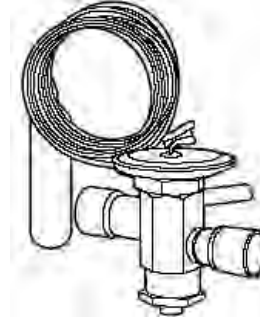
- Air Conditioning Systems
- Heat Pump Systems
- Bi-flow (package) Systems

### FEATURES:

- Stainless steel power element
- Bypass bleeds available
- Bi-directional metering available
- Weight: 10.7 oz. (.30 kg)
- Factory set or field adjustable superheat
- Low pressure drop internal check valve



P4060



P4061

## PARKER - THERMOSTATIC EXPANSION VALVES

### H Series and HC Series

Refrigerant	Refrigerant Designation	Capacity Range	Nominal Capacity	Internal Equalized	Exterior Equalized	Rainbow Charges	Bleed for Off cycle Operation	Inlet Connections	Outlet Connections
R-22 R-407C	V	1/2 - 1 1/2	1 - 1/2	HA 1-1/2V	HAE 1-1/2V	X-100A, X100	B	1/4, 3/8, 1/2 & 5/8" ODF flo-rater	3/8, 1/2, 5/8 & 7/8" ODF flo-rater
		1-1/2 - 3	3	HA 3V	HAE 3V		B		
		3-1/2 - 5	5	HA 5V	HAE 5V		B		
		5-1/2 - 7-1/2	7-1/2	-	HAE 7-1/2V		B		
		8 - 10	10	-	HAE 10V		B		
models with internal check valves - "C" designation									
R-22 R-407C	V	1/2 - 1-1/2	1-1/2V	HCA 1-1/2V	HCAE 1-1/2V	X100A, X100	B	1/4, 3/8, 1/2 & 5/8" ODF flo-rater	3/8, 1/2, 5/8 & 7/8" ODF flo-rater
		1-1/2 - 3	3	HCA 3V	HCAE 3V		B		
		3-1/2 - 5	5	HCA 5V	HCAE 5V		B		
		5-1/2 - 7	7	-	HAE 7K		B		
		7-1/2 - 9	9	-	HAE 9K		B		
specific models with internal check valves - "C" designation									
R-410A	K	1/2 - 1-1/2	1-1/2V	HA 1-1/2K	HAE 1-1/2K	X200	B	1/4, 3/8, 1/2 & 5/8" ODF flo-rater	3/8, 1/2, 5/8 & 7/8" ODF flo-rater
		1-1/2 - 3	3	HA 3K	HAE 3K		B		
		3-1/2 - 5	5	HA 5K	HAE 5K		B		
		5-1/2 - 7	7	-	HAE 7K		B		
		7-1/2 - 9	9	-	HAE 9K		B		
specific models with internal check valves - "C" designation									
R-410A	K	1/2 - 1-1/2	1-1/2	HCA 1-1/2K	HCAE 1-1/2K	X200	B	1/4, 3/8, 1/2 & 5/8" ODF flo-rater	3/8, 1/2, 5/8 & 7/8" ODF flo-rater
		1 - 2	5	HCA 2K	HCAE 2K		B		
		1-1/2 - 3	5	HCA 3K	HCAE 3K		B		
		3-1/2 - 5	5	HCA 5K	HCAE 5K		B		
		3-1/2 - 5	5	HCA 5K	HCAE 5K		B		

### NOTES:

1. U.L. recognized for maximum operational pressure of 650 psig (45 bars).
2. Maximum storage temperature 130° F (55° C).
3. Consult Parker for pressure and temperature exceptions.

# Refrigeration

## PARKER - H AND HC SERIES - THERMOSTATIC EXPANSION VALVES

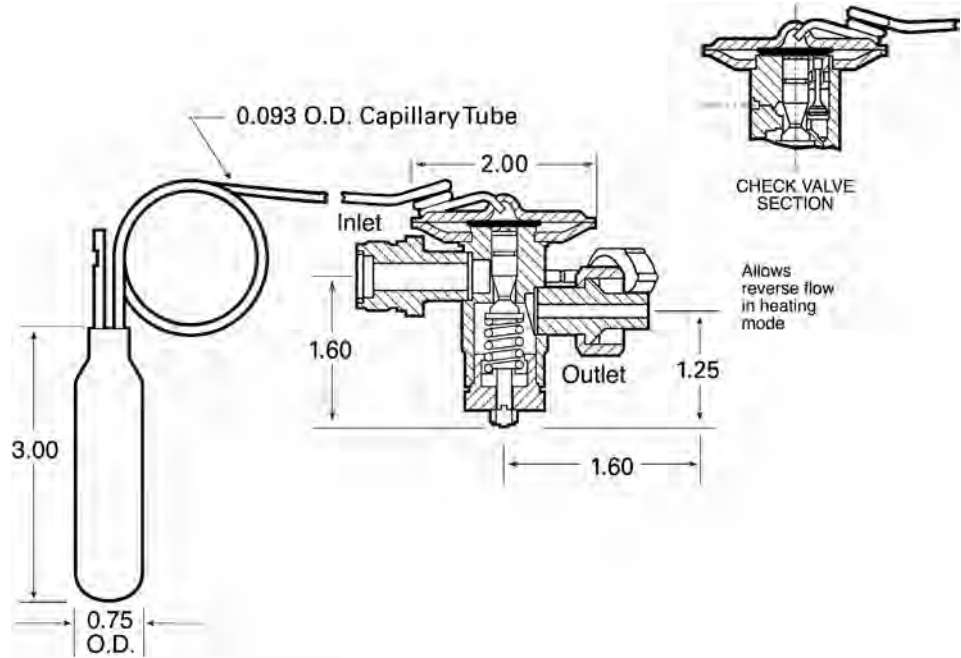
R-22, R-407C

Dimensions (inches)  
Connections (ODF)

NOTE: For adjustable add .66 inch.

INLET/OUTLET	A	B
0.250	1.46	1.46
0.375	1.69	1.69
0.500	1.46	1.46
0.625	1.57	1.57
0.875	—	2.07

Connections: flo-rater  
Inlet: 3/4"-20 UNF2A  
Outlet: 3/4"-20 UNF2A



### PARKER H AND HC SERIES

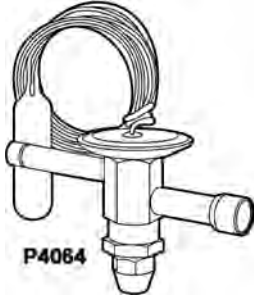
#### Refrigerants R-22, R-407C

PART NO	MODEL NO	NOMINAL TONS	INLET (in ODF)	OUTLET (in ODF)	EQUALIZER (in)
040587-01	HAE-3-VX100	11/2 - 3	3/8	1/2	1/4 FL NUT
040587-02	HAE-3-VX100B15	11/2 - 3	3/8	1/2	1/4 FL NUT
040725-02	HAE-3-VX100A	11/2 - 3	Aeroquip fitting	Aeroquip fitting	1/4 FL NUT
040727-01	HCAE-3-VX100	11/2 - 3	3/8	1/2	1/4 FL NUT
041439-03	HCAE-3-VX100B20	11/2 - 3	3/8	1/2	1/4 FL NUT
041438-01	HCAE-3-VX100A	11/2 - 3	Aeroquip fitting	Aeroquip fitting	1/4 FL NUT
040725-01	HCAE-3-VX100A	11/2 - 3	Chatliff fitting	Chatliff fitting	1/4 FL NUT
040588-01	HAE-5-VX100	31/2 - 5	3/8	5/8	1/4 FL NUT
040588-02	HAE-5-VX100B15	31/2 - 5	3/8	5/8	1/4 FL NUT
040726-02	HAE-5-VX100A	31/2 - 5	Aeroquip fitting	Aeroquip fitting	1/4 FL NUT
040728-01	HCAE-5-VX100	31/2 - 5	3/8	5/8	1/4 FL NUT
041449-03	HCAE-5-VX100B20	31/2 - 5	3/8	5/8	1/4 FL NUT
041448-01	HCAE-5-VX100A	31/2 - 5	Aeroquip fitting	Aeroquip fitting	1/4 FL NUT
040726-01	HCAE-5-VX100A	31/2 - 5	Chatliff fitting	Chatliff fitting	1/4 FL NUT

#### Refrigerant R-410A

PART NO	MODEL NO	NOMINAL TONS	INLET (in ODF)	OUTLET (in ODF)	EQUALIZER (in)
040635-01	HAE-3-ZX200	11/2 - 3	3/8	1/2	1/4 FL NUT
040635-02	HAE-3-ZX200B15	11/2 - 3	3/8	1/2	1/4 FL NUT
040771-01	HCAE-3-ZX200	11/2 - 3	3/8	1/2	1/4 FL NUT
041426-05	HCAE-3-ZX200B20	11/2 - 3	3/8	1/2	1/4 FL NUT
041426-01	HCAE-3-ZX200	11/2 - 3	Aeroquip fitting	Aeroquip fitting	1/4 FL NUT
040769-01	HCAE-3-ZX200A	11/2 - 3	Chatliff fitting	Chatliff fitting	1/4 FL NUT
040634-01	HAE-5-ZX200	31/2 - 5	3/8	5/8	1/4 FL NUT
040634-02	HAE-5-ZX200B15	31/2 - 5	3/8	5/8	1/4 FL NUT
040772-01	HCAE-5-ZX200	31/2 - 5	3/8	5/8	1/4 FL NUT
041436-06	HCAE-5-ZX200B20	31/2 - 5	3/8	5/8	1/4 FL NUT
041436-02	HCAE-5-ZX200	31/2 - 5	Aeroquip fitting	Aeroquip fitting	1/4 FL NUT
040770-01	HCAE-5-ZX200A	31/2 - 5	Chatliff fitting	Chatliff fitting	1/4 FL NUT

## PARKER - EC AND ECE SERIES - THERMOSTATIC EXPANSION VALVES



The EC Series features extended ODF solder connections, brass body, and balanced port design. The new stainless steel power element makes it suited for both refrigeration and air conditioning applications. Rainbow Charges™ are indicated in the chart below for medium temperature “W” charges, low temperature “Z” charges or MOP “X” charge for those applications.

### APPLICATIONS:

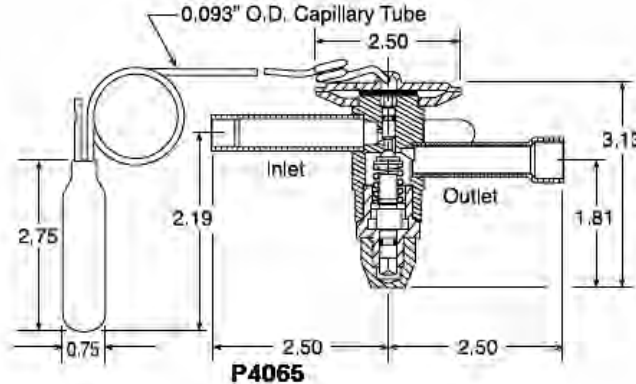
- Small Chillers
- Heat Pump Units
- Air Conditioning Units
- Freezers
- Walk-in Boxes
- Refrigerated Cases
- Mobile Refrigeration

### FEATURES:

- Extended ODF connections
- Balanced port design
- 30 inch capillary tube with shock loop
- Stainless steel power element
- Field adjustable superheat
- 1/4 inch ODF external equalizer
- Rainbow charges available
- Weight: 1.0 lbs/0.45 kg

## PARKER - THERMOSTATIC EXPANSION VALVES

### EC Series



### EC Series

Refrigerant	Refrigerant designation	Orifice designation	Capacity range	Internally equalized	External equalized	Rainbow charges™	Inlet connection	Outlet connection (optional)	Equalizer connection
R-12 R-134a R-401A R-401B	J	AA A B C	1/8 -1/2 1/4 -1 1-2 1-1/2 -3	EC-AA-J EC-A-J EC-B-J EC-C-J	ECE-AA-J ECE-A-J ECE-B-J ECE-C-J	W, X60	3/8" ODF	1/2" ODF (5/8" ODF)	1/4" ODF
R-402A R-402B R-404A R-502 R-507	S	AA A B C	1/8 -1/2 1/4 -1 1-2 1-1/2 -4	EC-AA-S EC-A-S EC-B-S EC-C-S	ECE-AA-S ECE-A-S ECE-B-S ECE-C-S	W, Z, X110 X35	3/8" ODF	1/2" ODF (5/8" ODF)	1/4" ODF
R-22 R-407C	V	AA A B C	1/5 -3/4 1/2 -1-1/2 1-1/2 -3 3-1/2 -5	EC-AA-V EC-A-V EC-B-V EC-C-V	ECE-AA-V ECE-A-V ECE-B-V ECE-C-V	W, Z, X100 X35	3/8" ODF	1/2" ODF (5/8" ODF)	1/4" ODF

### NOTES:

1. Maximum operational pressure 500 psig (35 bars) high side and 275 psig (19 bars) low side.
2. Maximum storage temperature 130° F (55° C).
3. Consult Parker for pressure and temperature exceptions.
4. Do not use “W” or “Z” liquid charges in applications where bulb temperatures can exceed 130° F (55° C). For these applications use type “X” MOP gas charge only.

# Refrigeration PARKER - EC AND ECE SERIES - THERMOSTATIC EXPANSION VALVES

## R-12, R-134a, R-401A, R-401B

PART NO	MODEL NO	NOMINAL TONS	INLET (in ODF)	OUTLET (in ODF)	EQUALIZER (in)
040311-01	EC-AA-JW	1/8 - 1/2	1/4	1/2	--
040296-01	EC-A-JW	1/4 -1	3/8	1/2	--
040358-02	EC-A-JX60	1/4 -1	3/8	1/2	--
040297-01	ECE-A-JW	1/4 -1	3/8	1/2	1/4
040314-01	ECE-B-JW	1 -2	1/2	5/8	1/4
040298-01	EC-C-JW	11/2 -3	1/2	7/8	--
040299-05	ECE-C-JW	11/2 -3	3/8	5/8	1/4
040432-01	ECE-C-JW	11/2 -3	1/2	5/8	1/4
040299-01	ECE-C-JW	11/2 -3	1/2	7/8	1/4
040299-03	ECE-D-JW	31/2 -5	5/8	7/8	1/4
040299-04	ECE-D-JX60	31/2 -5	5/8	7/8	1/4

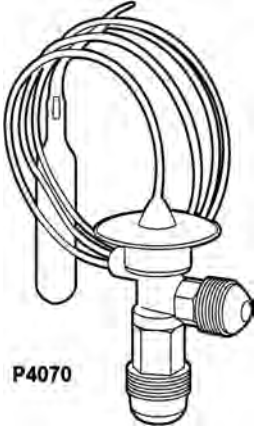
## R-22, R-407C

PART NO	MODEL NO	NOMINAL TONS	INLET (in ODF)	OUTLET (in ODF)	EQUALIZER (in)
040367-01	EC-AA-VW	1/5 - 3/4	1/4	1/2	--
040368-01	ECE-AA-VW	1/5 - 3/4	1/4	1/2	1/4
040349-05	ECE-AA-VW	1/5 - 3/4	1/4	1/2	1/4
040368-04	ECE-AA-VX100	1/5 - 3/4	1/4	1/2	1/4
040349-07	ECE-AA-VZ	1/5 - 3/4	1/4	1/2	1/4
040350-05	ECE-A-VW	1/2 - 11/2	3/8	1/2	1/4
040246-10	ECE-A-VX100	1/2 - 11/2	3/8	1/2	1/4
040350-07	ECE-A-VZ	1/2 - 11/2	3/8	1/2	1/4
040351-05	ECE-B-VW	11/2 -3	3/8	1/2	1/4
040374-01	ECE-B-VW	11/2 -3	1/2	5/8	1/4
040351-07	ECE-B-VZ	11/2 -3	3/8	1/2	1/4
040374-02	ECE-B-VX35	11/2 -3	1/2	5/8	1/4
040206-35	ECE-B-VX100	11/2 -3	3/8	1/2	1/4
040374-06	ECE-B-VX100	11/2 -3	3/8	5/8	1/4
040374-07	ECE-B-VX100	11/2 -3	1/2	5/8	1/4
040374-04	ECE-B-VX100	11/2 -3	1/2	5/8	1/4
040206-05	ECE-C-VW	31/2 -5	1/2	7/8	1/4
040206-06	ECE-C-VX35	31/2 -5	1/2	7/8	1/4
040206-33	ECE-C-VX100	31/2 -5	3/8	1/2	1/4
040206-21	ECE-C-VX100	31/2 -5	3/8	5/8	1/4
040206-44	ECE-C-VX100	31/2 -5	1/2	5/8	1/4
040206-22	ECE-C-VX100	31/2 -5	1/2	7/8	1/4
040206-28	ECE-C-VX100	31/2 -5	5/8	7/8	1/4
040262-01	ECE-C-VX100B15	31/2 -5	1/2	5/8	1/4
040206-46	ECE-D-VW	51/2 -71/2	5/8	7/8	1/4
040206-16	ECE-D-VX100	51/2 -71/2	1/2	7/8	1/4
040206-20	ECE-D-VX100	51/2 -71/2	5/8	7/8	1/4
040262-02	ECE-D-VX100B15	51/2 -71/2	5/8	7/8	1/4

## R-402A, R-402B, R-404A, R-502, R-507

PART NO	MODEL NO	NOMINAL TONS	INLET (in ODF)	OUTLET (in ODF)	EQUALIZER (in)
040315-01	EC-AA-SW	1/8 - 1/2	1/4	1/2	
040315-02	EC-AA-SX35	1/8 - 1/2	1/4	1/2	
040361-03	EC-AA-SZ	1/8 - 1/2	1/4	1/2	
040316-01	ECE-AA-SW	1/8 - 1/2	1/4	1/2	1/4
040316-02	ECE-AA-SX35	1/8 - 1/2	1/4	1/2	1/4
040317-01	EC-A-SW	1/4 - 1	3/8	1/2	
040317-02	EC-A-SX35	1/4 - 1	3/8	1/2	
040362-03	EC-A-SZ	1/4 - 1	3/8	1/2	
040318-01	ECE-A-SW	1/4 - 1	3/8	1/2	1/4
040362-05	ECE-A-SW	1/4 - 1	3/8	1/2	1/4
040318-02	ECE-A-SX35	1/4 - 1	3/8	1/2	1/4
040363-05	ECE-B-SW	1 - 2	3/8	1/2	1/4
040320-02	ECE-B-SX35	1 - 2	3/8	1/2	1/4
040363-07	ECE-B-SZ	1 - 2	3/8	1/2	1/4
040320-01	ECE-C-SW	11/2 - 4	1/2	5/8	1/4
040322-01	ECE-C-SW	11/2 - 4	1/2	7/8	1/4
040364-07	ECE-C-SZ	11/2 - 4	3/8	1/2	1/4
040322-04	ECE-C-SX110	11/2 - 4	1/2	7/8	1/4
040322-05	ECE-D-SW	41/2 - 6	5/8	7/8	1/4
040322-07	ECE-D-SZ	41/2 - 6	5/8	7/8	1/4

## PARKER - N AND NE SERIES - THERMOSTATIC EXPANSION VALVES



P4070

This small flare brass valve series is ideally suited where space is at a premium. Its stainless steel power element and compact body has always made it the first choice for installation in commercial refrigeration systems. External equalized models are provided with a 30" capillary and 1/4" SAE flare nut, eliminating the need to run a separate equalizer line. Medium, low & MOP (X) charges are available as noted below.

### Applications:

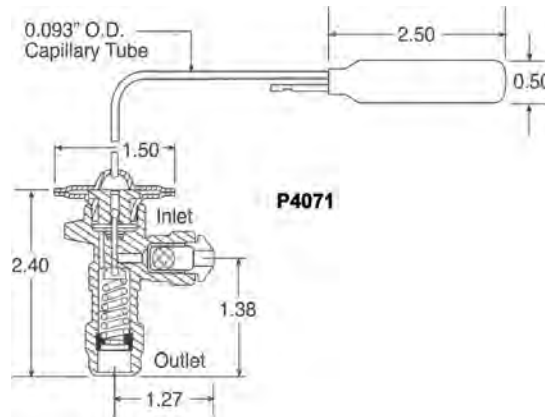
- Low Profile Coolers
- Beverage Dispensers
- Beverage Boxes
- Small Chillers
- Ice Machines
- Small Freezers

### Features:

- Compact body
- Removable inlet screen
- Factory set superheat
- Accurate and stable control
- Right angle configuration
- 30" capillary tube
- Weight: 5.0 oz/ 14 kg

## PARKER - THERMOSTATIC EXPANSION VALVES

### N Series



P4071

### N SERIES

Refrigerant	Refrigerant designation	Nominal capacity	Capacity range	Internally equalized	Externally equalized	Rainbow charges™	Inlet connection	Outlet connection
R-12 R-134a R-401A R-401B	J	1/4 1/2 2	1/4 -1/2 1/4 -3/4 1-2	N1/4 J N1/2 J N2J	NE 2 J	W, X60	1/4" SAE 1/4" SAE 3/8" SAE	1/2" SAE
R-402A R-402B R-404A R-502 R-507	S	1/4 1/2 2	1/4 -1/2 1/4 -3/4 1-2	N1/4 S N1/2 S N2S	NE 2 S	W, Z, X110 X35	1/4" SAE 1/4" & 3/8" SAE 3/8" SAE	1/2" SAE
R-22 R-407C	V	1/4 1/2 1 3	1/4 -1/2 1/4 -3/4 1/2 -1 1-1/2 -3	N 1/4 V N 1/2 V N 1 V N 3 V	NE 3 V	W, Z, X100 X35	1/4" SAE 1/4" or 3/8" SAE 3/8" SAE	1/2" SAE

### NOTES:

1. Maximum operational pressure 500 psig (35 bars) high side and 275 psig (19 bars) low side.
2. Maximum storage temperature 130° F (55° C).
3. Consult Parker for pressure and temperature exceptions.
4. Do not use "W" or "Z" liquid charges in applications where bulb temperatures can exceed 130° F (55° C). For these applications use type "X" MOP gas charge only.



# Refrigeration

## PARKER - N AND NE - THERMOSTATIC EXPANSION VALVES

R-12 R-134a, R-401A, R-401B

### THERMOSTATIC EXPANSION VALVES N & NE Series

#### Refrigerants R-12, R-134A, R-401A, R-401B

Part Number	Model Number	Nominal Tons	Inlet (inches)	Outlet (inches)	Equalizer
040293-01	N-1/2-JW	1/4 - 3/4	1/4 SAE	1/2 SAE	Internal
040293-03	N-1/2-JW	1/4 - 3/4	3/8 SAE	1/2 SAE	Internal
040293-04	N-1/2-JX60	1/4 - 3/4	3/8 SAE	1/2 SAE	Internal
040279-01	N-1-JW	1/2 - 1	3/8 SAE	1/2 SAE	Internal
040294-01	N-2-JW	1 - 2	3/8 SAE	1/2 SAE	Internal
040294-02	N-2-JX60	1 - 2	3/8 SAE	1/2 SAE	Internal
040303-01	NE-2-JW	1 - 2	3/8 SAE	1/2 SAE	External

#### Refrigerants R-22, R-407A

Part Number	Model Number	Nominal Tons	Inlet (inches)	Outlet (inches)	Equalizer
040077-07	N-1/4-VW	1/4 - 1/2	1/4 SAE	1/2 SAE	Internal
040270-01	N-1/2-VW	1/4 - 3/4	1/4 SAE	1/2 SAE	Internal
040077-08	N-1-VW	1/2 - 1	1/4 SAE	1/2 SAE	Internal
040077-06	N-1-VW	1/2 - 1	3/8 SAE	1/2 SAE	Internal
040077-01	N-1-VX100	1/2 - 1	3/8 SAE	1/2 SAE	Internal
040084-01	NE-2-VX100	1 - 2	3/8 SAE	1/2 SAE	External
031119-01	N-3-VX100B10	1 1/2 - 3	3/8 SAE	1/2 SAE	Internal

#### Refrigerants R-402A, R-402B, R-404A, R-502, R-507

Part Number	Model Number	Nominal Tons	Inlet (inches)	Outlet (inches)	Equalizer
040326-05	N-1/2-SW	1/4 - 3/4	1/4 SAE	1/2 SAE	Internal
040326-01	N-1/2-SW	1/4 - 3/4	3/8 SAE	1/2 SAE	Internal
040326-03	N-1/2-SZ	1/4 - 3/4	3/8 SAE	1/2 SAE	Internal
040327-01	N-2-SW	1 - 2	3/8 SAE	1/2 SAE	Internal
040328-01	NE-2-SW	1 - 2	3/8 SAE	1/2 SAE	External

Compressors,  
Chillers, Condensers

Motors

Electrical

Heating  
Components

Indoor Air  
Quality

Thermostats

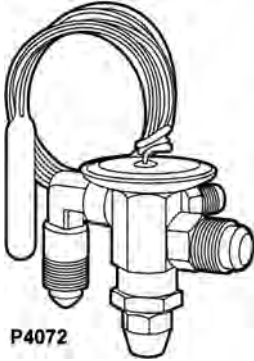
Oils &  
Chemicals

Accessories, Supplies  
& Commodities

Tools &  
Instruments

Refrigeration

## PARKER - C AND CE SERIES - THERMOSTATIC EXPANSION VALVES



The C Series incorporates a brass body with SAE flare fittings using balanced port construction, allowing operation over varying load conditions. Designed for use on small refrigeration and or air conditioning systems, the external equalized models are provided with a 1/4 inch SAE male connection. The new stainless steel power element and shock loop provides added benefits to all installations. A variety of Rainbow Charges™ add further flexibility for operation and selection.

### APPLICATIONS:

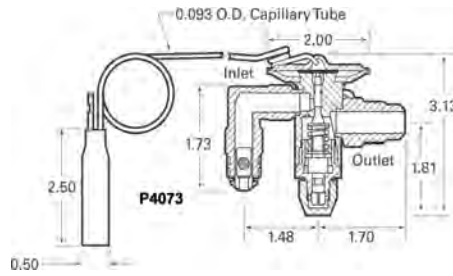
- Small Refrigeration Systems
- Slush Machines
- Air Conditioning Units
- Freezers
- Walk-in Coolers
- Refrigerated Cases
- Rail & Transport Refrigeration

### FEATURES:

- Balanced port
- Stainless steel power element
- Inlet strainer
- 30" capillary tube with shock loop
- Field adjustable superheat
- 1/4" SAE external equalizer
- Weight: 1.0 lbs/0.45 kg

## PARKER - THERMOSTATIC EXPANSION VALVES

### C Series



### C SERIES

REFRIGERANT	REFRIGERANT DESIGNATION	ORIFICE DESIGNATION	CAPACITY RANGE	INTERNALLY EQUALIZED	EXTERNALLY EQUALIZED	RAINBOW CHARGES™	INLET CONNECTION	OUTLET CONNECTION	EQUALIZER CONNECTION
R-12 R-134a R-401A R-401B	J	AA A B C	1/8 - 1/2 1/4 - 1 1 - 2 1-1/2 - 3	C-AA-J C-A-J C-B-J C-C-J	CE-AA-J CE-A-J CE-B-J CE-C-J	W, X60	1/4" SAE (3/8" optional)  3/8" SAE	1/2" SAE	1/4" SAE
R-402A R-402B R-404A R-502 R-507	S	AA A B C	1/8 -1/2 1/4 - 1 1 - 2 1-1/2 - 4	C-AA-S C-A-S C-B-S C-C-S	CE-AA-S CE-A-S CE-B-S CE-C-S	W, Z, X110 X-35	1/4" SAE (3/8" optional)  3/8" SAE	1/2" SAE	1/4" SAE
R-22 R-407C	V	AA A B C	1/5 - 3/4 1/2 - 1-1/2 1-1/2 - 3 3-1/2 - 5	C-AA-V C-A-V C-B-V C-C-V	CE-AA-V CE-A-V CE-B-V CE-C-V	W, Z, X100 X-35	1/4" SAE (3/8" optional)  3/8" SAE	1/2" SAE	1/2" SAE

### NOTES:

1. Maximum operational pressure 500 psig (35 bars) high side and 275 psig (19 bars) low side.
2. Maximum storage temperature 130° F (55° C).
3. Consult Parker for pressure and temperature exceptions.
4. Do not use "W" or "Z" liquid charges in applications where bulb temperatures can exceed 130° F (55° C). For these applications use type "X" MOP gas charge only.

# Refrigeration

## PARKER - C AND CE SERIES - THERMOSTATIC EXPANSION VALVES

R-12, R-134a, R-401A, R-401B

PART NO	MODEL NO	NOMINAL TONS	INLET (in ODF)	OUTLET (in ODF)	EQUALIZER (in)
040329-01*	C-AA-JW	1/8 - 1/2	1/4	1/2	--
040329-02*	C-AA-JX60	1/8 - 1/2	1/4	1/2	--
040330-01*	CE-AA-JW	1/8 - 1/2	1/4	1/2	1/4
040330-02	CE-AA-JX60	1/8 - 1/2	1/4	1/2	1/4
040281-01*	C-A-JW	1/4 - 1	3/8	1/2	--
040281-02	C-A-JX60	1/4 - 1	3/8	1/2	--
040282-01*	CE-A-JW	1/4 - 1	3/8	1/2	1/4
040282-02*	CE-A-JX60	1/4 - 1	3/8	1/2	1/4
040331-01*	C-B-JW	1 - 2	3/8	1/2	--
040331-02	C-B-JX60	1 - 2	3/8	1/2	--
040332-01*	CE-B-JW	1 - 2	3/8	1/2	1/4
040332-02*	CE-B-JX60	1 - 2	3/8	1/2	1/4
040295-01*	C-C-JW	1-1/2 - 3	3/8	1/2	--
040295-02*	C-C-JX60	1-1/2 - 3	3/8	1/2	--
040283-01*	CE-C-JW	1-1/2 - 3	3/8	1/2	1/4
040283-02*	CE-C-JX60	1-1/2 - 3	3/8	1/2	1/4

R-22, R-407C

PART NO	MODEL NO	NOMINAL TONS	INLET (in ODF)	OUTLET (in ODF)	EQUALIZER (in)
040289-01*	C-AA-VW	1/5 - 3/4	1/4	1/2	--
040289-02	C-AA-VX35	1/5 - 3/4	1/4	1/2	--
040289-05*	C-AA-VZ	1/5 - 3/4	1/4	1/2	--
040289-04*	C-AA-VX100	1/5 - 3/4	1/4	1/2	--
040290-01*	CE-AA-VW	1/5 - 3/4	1/4	1/2	1/4
040290-02*	CE-AA-VX35	1/5 - 3/4	1/4	1/2	1/4
040290-05	CE-AA-VZ	1/5 - 3/4	1/4	1/2	1/4
040290-04*	CE-AA-VX100	1/5 - 3/4	1/4	1/2	1/4
040241-01*	C-A-VW	1/2 - 1-1/2	3/8	1/2	--
040241-02*	C-A-VX35	1/2 - 1-1/2	3/8	1/2	--
040241-03*	C-A-VX65	1/2 - 1-1/2	3/8	1/2	--
040241-05	C-A-VZ	1/2 - 1-1/2	3/8	1/2	--
040241-04*	C-A-VX100	1/2 - 1-1/2	3/8	1/2	--
040242-01*	CE-A-VW	1/2 - 1-1/2	3/8	1/2	1/4
040242-02*	CE-A-VX35	1/2 - 1-1/2	3/8	1/2	1/4
040242-05	CE-A-VZ	1/2 - 1-1/2	3/8	1/2	1/4
040242-04*	CE-A-VX100	1/2 - 1-1/2	3/8	1/2	1/4
040379-01*	C-B-VW	--	3/8	1/2	--
040379-02	C-B-VX35	--	3/8	1/2	--
040379-05	C-B-VZ	--	3/8	1/2	--
040379-04*	C-B-VX100	--	3/8	1/2	--
040380-01*	CE-B-VW	--	3/8	1/2	1/4
040380-02*	CE-B-VX35	--	3/8	1/2	1/4
040380-05	CE-B-VZ	--	3/8	1/2	1/4
040380-04*	CE-B-VX100	--	3/8	1/2	1/4
040222-06*	C-C-VW	3-1/2 - 5	3/8	1/2	--
040222-02	C-C-VX35	3-1/2 - 5	3/8	1/2	--
040222-05	C-C-VZ	3-1/2 - 5	3/8	1/2	--
040222-04*	C-C-VX100	3-1/2 - 5	3/8	1/2	--
040223-06*	CE-C-VW	3-1/2 - 5	3/8	1/2	1/4
040223-02	CE-C-VX35	3-1/2 - 5	3/8	1/2	1/4
040223-05	CE-C-VZ	3-1/2 - 5	3/8	1/2	1/4
040223-04*	CE-C-VX100	3-1/2 - 5	3/8	1/2	1/4

\*Normally stocked items. All others are special order and require a 4-week delivery.

Compressors,  
Chillers, Condensers

Motors

Electrical

Heating  
Components

Indoor Air  
Quality

Thermostats

Oils &  
Chemicals

Accessories, Supplies  
& Commodities

Tools &  
Instruments

Refrigeration

# Refrigeration

Compressors, Chillers, Condensers  
 Motors  
 Electrical  
 Heating Components  
 Indoor Air Quality  
 Thermostats  
 Oils & Chemicals  
 Accessories, Supplies & Commodities  
 Tools & Instruments  
 Refrigeration

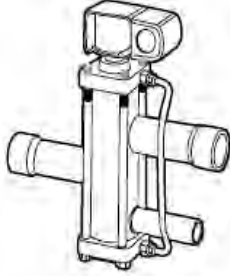
## PARKER - C AND CE SERIES - THERMOSTATIC EXPANSION VALVES

R-402A, R-402B, R-404A, R-502, R-507

PART NO	MODEL NO	NOMINAL TONS	INLET (in ODF)	OUTLET (in ODF)	EQUALIZER (in)
040333-01	C-AA-SW	1/8 - 1/2	1/4	1/2	--
040333-02*	C-AA-SX35	1/8 - 1/2	1/4	1/2	--
040333-03	C-AA-SZ	1/8 - 1/2	1/4	1/2	--
040333-04	C-AA-SX110	1/8 - 1/2	1/4	1/2	--
040334-01*	CE-AA-SW	1/8 - 1/2	1/4	1/2	1/4
040334-02*	CE-AA-SX35	1/8 - 1/2	1/4	1/2	1/4
040334-03*	CE-AA-SZ	1/8 - 1/2	1/4	1/2	1/4
040334-04	CE-AA-SX110	1/8 - 1/2	1/4	1/2	1/4
040335-01*	C-A-SW	1/4 - 1	3/8	1/2	--
040335-02*	C-A-SX35	1/4 - 1	3/8	1/2	--
040335-03	C-A-SZ	1/4 - 1	3/8	1/2	--
040335-04	C-A-SX110	1/4 - 1	3/8	1/2	--
040336-01*	CE-A-SW	1/4 - 1	3/8	1/2	1/4
040336-02*	CE-A-SX35	1/4 - 1	3/8	1/2	1/4
040336-03	CE-A-SZ	1/4 - 1	3/8	1/2	1/4
040336-04	CE-A-SX110	1/4 - 1	3/8	1/2	1/4
040337-01*	C-B-SW	1 - 2	3/8	1/2	--
040337-02	C-B-SX35	1 - 2	3/8	1/2	--
040337-03	C-B-SZ	1 - 2	3/8	1/2	--
040337-04	C-B-SX110	1 - 2	3/8	1/2	--
040338-01*	CE-B-SW	1 - 2	3/8	1/2	1/4
040338-02*	CE-B-SX35	1 - 2	3/8	1/2	1/4
040338-03*	CE-B-SZ	1 - 2	3/8	1/2	1/4
040338-04	CE-B-SX110	1 - 2	3/8	1/2	1/4
040339-01*	C-C-SW	1-1/2 - 4	3/8	1/2	--
040339-02	C-C-SX35	1-1/2 - 4	3/8	1/2	--
040339-03*	C-C-SZ	1-1/2 - 4	3/8	1/2	--
040339-04	C-C-SX110	1-1/2 - 4	3/8	1/2	--
040340-01*	CE-C-SW	1-1/2 - 4	3/8	1/2	1/4
040340-02*	CE-C-SX35	1-1/2 - 4	3/8	1/2	1/4
040340-03*	CE-C-SZ	1-1/2 - 4	3/8	1/2	1/4
040340-04*	CE-C-SX110	1-1/2 - 4	3/8	1/2	1/4

\*Normally stocked items. All others are special order and require a 4-week delivery.

## 3-WAY HOT GAS DEFROST VALVES



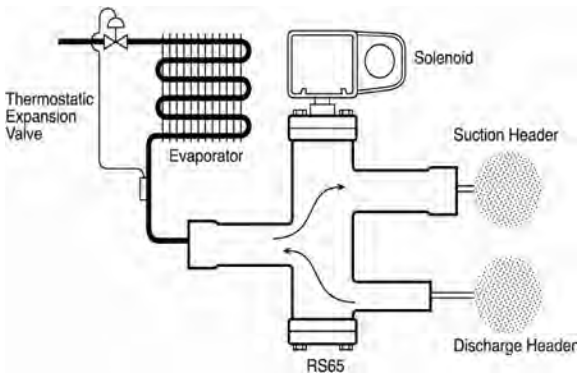
### RS55 Suction Line Capacities — Tons

Capacities TONS @ 1PSIG Pressure drop	Evaporator temperatures in °F					
	20	10	0	-10	-20	-40
R-12	2.9	2.6	2.3	2.0	1.7	1.3
R-22	4.4	4.0	3.5	3.1	2.7	2.0
R-502	3.5	3.1	2.8	2.4	2.1	1.6
R-134a	4.2	3.7	3.2	2.8	2.4	1.7
R-404A (HP-62)*	3.9	3.5	3.1	2.8	2.4	1.8
R-507 (AZ-50)*	3.9	3.5	3.1	2.8	2.4	1.8

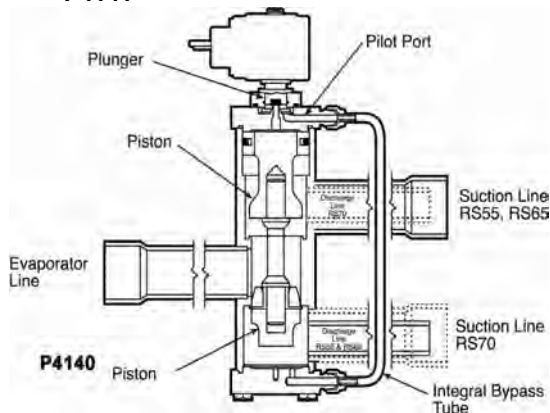
\*AZ-50 & HP-62 are products of Allied Signal & DuPont respectively.

### APPLICATION

Designed for hot gas defrost from the suction side of the evaporator coil, these valves are commonly used with modern multiplex systems.



### P4141



### CONNECTIONS

PART NO	VALVE TYPE	EVAPORATOR LINE	SECTION LINE	DISCHARGE LINE
76053	RS-55	1-1/8" ODF	1-1/8" ODF	7/8" ODF
76052	RS-65	1-3/8" ODF	1-3/8" ODF	7/8" ODF
76051	RS-70	1-3/8" ODF	1-3/8" ODF	7/8" ODF

### RS65, RS70 Suction Line Capacities — Tons

CAPACITIES TONS @ 1 PSI PRESSURE DROP	Evaporator Temperatures in °F					
	20	10	0	-10	-20	-40
R-12	6.9	6.1	5.4	4.7	4.0	3.0
R-22	10.5	9.4	8.4	7.4	6.5	4.9
R-502	8.4	7.4	6.6	5.8	5.0	3.7
R-134a	10.0	8.8	7.6	6.6	5.6	4.0
R-404A (HP-62)*	9.4	8.4	7.4	6.6	5.8	4.3
R-507 (AZ-50)*	9.4	8.4	7.4	6.6	5.8	4.3

\*AZ-50 & HP-62 are products of Allied signal & DuPont respectively.

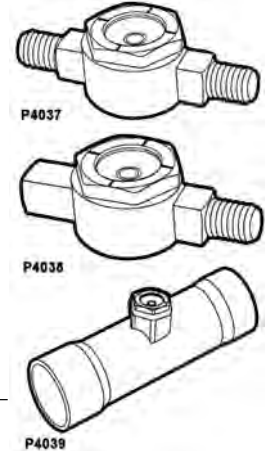
## PARKER - SIGHT GLASS AND MOISTURE INDICATORS

### KEY FEATURES AND BENEFITS

- Available in all popular end connections up to 2-1/8 inch
- Solid copper extended sweat fittings permit solder installation without disassembly.
- Flare models feature forged brass body and fittings.
- Compact design, low silhouette, short laying in length.
- Extremely accurate.
- Easy viewing.
- U.L. listed File No. SA4744.

### Sight Glass Moisture Indicator Dimensions

PSG-10T Replacement indicator element and o-ring.



PART NO	MODEL NO	FITTING SIZE (in)	FITTING TYPE	OVERALL LENGTH (in)	CUT OUT LENGTH (in)
070293-01	PSG-2	1/4	SAE Male Flare	3.42	--
070294-02	PSG-3	3/8	SAE Male Flare	3.56	--
070295-03	PSG-4	1/2	SAE Male Flare	3.82	--
070296-04	PSG-5	5/8	SAE Male Flare	4.06	--
070281-01	PSG-2MF	1/4	SAE Male x Female Flare	3.05	--
070282-02	PSG-3MF	3/8	SAE Male x Female Flare	3.17	--
070133-03	PSG-4MF	1/2	SAE Male x Female Flare	3.39	--
070284-04	PSG-5MF	5/8	SAE Male x Female Flare	3.69	--
070135-01	PSG-2S	1/4	Sweat	4.88	4.19
070135-02	PSG-3S	3/8	Sweat	4.88	4.12
070135-03	PSG-4S	1/2	Sweat	4.88	3.87
070135-03	PSG-5S	5/8	Sweat	4.88	3.62
070132-01	PSG-7S	7/8	Sweat	6.25	4.73
070132-02	PSG-9S	1-1/8	Sweat	6.25	4.45
070278-11	PSG-11S	1-3/8	Sweat	7.97	6.03
070289-13	PSG-13S	1-5/8	Sweat	7.97	5.79
070280-17	PSG-17S	2-1/8	Sweat	7.97	5.47

Moisture Color Indications in PPM at Liquid Specific Temperatures:

SYSTEM REFRIGERANT	12	22	134a	401A	401B/C	404A	410A	502	507A	
<b>LIQUID LINE TEMPERATURE</b>	75° F	75° F	75° F	75° F	75° F	75° F	75° F	75° F	75° F	
SYSTEM CONDITIONS	INDICATOR COLOR									
<b>Dry</b>	<b>Green</b>	below 5	below 30	below 35	below 120	below 50	below 40	below 69	below 10	below 33
<b>Caution</b>	<b>Yellow/Green</b>	5 -15	30-110	35-120	120-420	50-175	40-140	69-240	10-50	33-115
<b>Wet</b>	<b>Yellow</b>	above 15	above 110	above 120	above 420	above 175	above 140	above 240	above 50	above 115

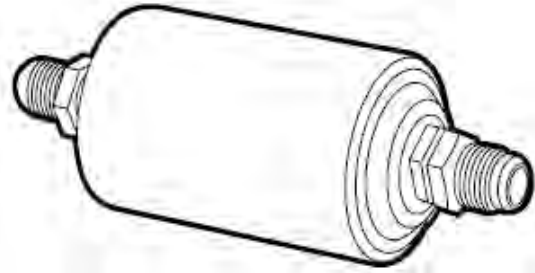
## PARKER STEEL LIQUID LINE FILTER DRIERS (LLD SERIES)

### KEY FEATURES AND BENEFITS

- High moisture and acid capacity. Maximum filtration capacity.
- Exceptional compatibility with new polyolester oils.
- Compatible with all existing and new refrigerants and blends including 134a, 401A/B, 402A/B, 404A, 407A/B/C, 410A, 502, 507A.
- Spring loaded 100% molecular sieve. For 410A, Parker recommends XH11 (consult Parker).
- Solid copper sweat fittings.
- Powder paint exterior coating surpasses 500 hour ASTM salt spray test and resists corrosion.
- Eliminates concern of additive stripping.
- 032 MF liquid line drier features 1/4inch SAE steel flare male inlet and 1/4 inch SAE steel female flare outlet. Consult Parker for other sizes.
- 500 psig design pressure (600 psig available on all models designed for R-410A applications with XH11 desiccant.

- Extended copper ends available (select models).
- Available with other desiccant combinations including charcoal and activated alumina (consult Parker).
- Various inlet/outlet fitting combinations available.
- U.L. listed SA3441, CSA certified LR46423.

P4112



**NOTE:** For R-410A applications, Parker recommends XH11 desiccant. See pages 9-11 for R-410A drier information.

### Steel Liquid Line Driers — Water Drop Capacity at ARI Conditions

Model Series	R-12 (15 ppm) 75° F/ 125° F	R-22 (60 ppm) 75° F/ 125° F	R-134a (150 ppm) 75° F/125° F	R-401A/B (60 ppm) 75° F/125° F	R-401C (60 ppm) 75° F/ 125° F	R-402A/B (60 ppm) 75° F/ 125° F	R-404A (50 ppm) 75° F/ 125° F	R-407A/B (50 ppm) 75° F/ 125° F	R-407C (50 ppm) 75° F/ 125° F	R-410A* (50 ppm) 75°F/ 125° F	R-502 (30 ppm) 75°F/ 125°F	R-507A (50 ppm) 75° F/ 125° F
030	79/76	71/66	78/74	76/69	74/68	77/70	78/73	51/46	55/49	42/37	73/68	78/73
050	162/157	147/135	160/153	157/142	153/141	159/144	160/150	105/95	112/101	86/77	149/141	161/151
080	245/237	222/205	243/231	237/215	231/213	241/218	241/227	159/144	170/153	131/117	226/213	244/228
160	476/461	430/398	471/448	461/418	448/413	467/423	468/441	309/280	330/297	254/226	438/413	473/443
300	835/808	755/698	826/786	808/733	786/724	819/742	822/773	543/491	579/521	446/397	769/724	830/777
410	1164/1127	1053/ 973	1151/1096	1127/1022	1096/1010	1142/1034	1145/1078	757/684	806/726	622/554	1071/1010	1158/1084
750	1776/1720	1607/1485	1757/1673	1720/1560	1673/1541	1743/1579	1748/1645	1156/1044	1231/1109	949/846	1635/1541	1767/1654

\*See Parker RAC-1 catalog pages 9-11 for R-410A specific driers and applications.

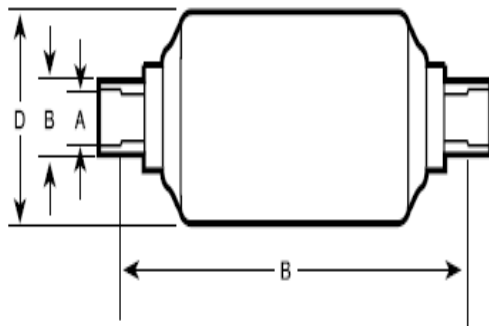
### Refrigerant Holding Capacities for Steel Liquid Line Driers (in oz. of refrigerant @ 100° F)

Model Series	R-12	R-22	R-134a	R-401A/B	R-401C	R-402A	R-402B	R-404A	R-407A	R-407B	R-407C	R-410A	R-502	R-507A
030	1.92	1.74	1.76	1.71	1.51	1.59	1.42	1.49	1.64	1.46	1.45	1.52	1.76	1.50
050	5.60	5.07	5.13	4.99	4.39	4.62	4.31	4.35	4.78	4.44	4.38	4.42	5.12	4.35
080	7.97	7.21	7.30	7.10	6.24	6.58	6.10	6.18	6.81	6.27	6.20	6.28	7.28	6.19
160	8.87	8.02	8.12	7.89	6.94	7.31	6.28	6.88	7.57	6.46	6.38	6.99	8.10	6.89
300	26.73	24.17	24.47	23.79	20.92	22.04	20.43	20.73	22.82	21.01	20.75	21.07	24.42	20.77
410	37.33	33.75	34.17	33.22	29.21	30.78	28.53	28.95	31.86	29.34	28.98	29.42	34.10	29.00
750	71.32	64.48	65.29	63.47	55.81	58.81	55.62	55.31	60.88	57.20	56.49	56.21	65.15	55.41

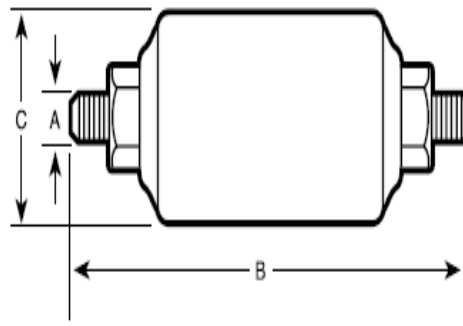
## PARKER STEEL LIQUID LINE FILTER DRIERS (LLD SERIES)

### STEEL LIQUID LINE DRIER DIMENSIONS

PART NO.	MODEL NO.	CONNECTIONS		SYSTEM CUTOUT LENGTH (C)	DIAMETER (D) (in.)	OVERALL LENGTH (in.)	PART NO.	MODEL NO.	SAE FLARE (A)	SYSTEM CUTOUT LENGTH (B) (in.)	DIAMETER (C) (in.)
		I.D. (A)	O.D. (B)								
033000-0329	032S	1/4	3/8	2-9/16	1-11/16	3.77	033000-032	032	1/4	4-1/8	1-11/16
033000-0529	052S	1/4	3/8	3-1/4	2-1/2	4.39	033000-052	052	1/4	4-3/4	2-1/2
033000-0525	0525S	5/16	7/16		4.39						
033000-0539	053S	3/8	1/2	4-1/8	2-1/2	4.39	033000-053	053	3/8	5-3/16	2-1/2
033000-0829	082S	1/4	3/8		2-1/2	5.27	033000-082	082	1/4	5-5/8	2-1/2
033000-0825	0825S	5/16	7/16	4-1/8		5.27					
033000-0839	083S	3/8	1/2		2-1/2	5.27	033000-083	083	3/8	6-1/16	2-1/2
033000-0849	084S	1/2	5/8	4-3/4	2-1/2	5.41	033000-084	084	1/2	6-5/16	2-1/2
033000-1629	162S	1/4	3/8		2-1/2	5.92	033000-162	162	1/4	6-5/16	2-1/2
033000-1625	1625S	5/16	7/16	4-3/4		5.92					
033000-1639	163S	3/8	1/2		2-1/2	5.92	033000-163	163	3/8	6-3/4	2-1/2
033070-1639	163S			7-3/4							
033000-1649	164S	1/2	5/8		2-1/2	6.06	033000-164	164	1/2	7	2-1/2
033000-1659	165S	5/8	3/4	7-3/4	2-1/2	6.3	033000-165	165	5/8	7-1/4	2-1/2
033000-3039	303S	3/8	1/2		3	8.86	033000-303	303	3/8	9-11/16	3
033070-3039	303S			7-3/4							
033000-3049	304S	1/2	5/8		3	9	033000-304	304	1/2	9-15/16	3
033000-3059	305S	5/8	3/4	7-3/4	3	9.24	033000-305	305	5/8	10-3/16	3
033000-3079	307S	7/8	1		3	9.3					3
033000-4149	414S	1/2	5/8	7-3/4	3-1/2	9.19	033000-413	413	3/8	9-7/8	3-1/2
033000-4159	415S	5/8	3/4		3-1/2	9.43	033000-414	414	1/2	10-1/8	3-1/2
033000-4179	417S	7/8	1	13-9/16	3-1/2	9.49	033000-415	415	5/8	10-3/8	3-1/2
033000-7569	756S	3/4	7/8		3-1/2	15.11					
033000-7579	757S	7/8	1	13-9/16	3-1/2	15.11					
033000-7599	759S	1-1/8	1-1/4		3-1/2	15.99					



P4113





## PARKER STEEL LIQUID LINE FILTER DRIERS (LLD SERIES)

PART NO	MODEL NO	FILTER AREA	R-12	R-22	R-134a	R-401A	R-401B	R-401C	R-402A	R-402B	R-404A	R-407A	R-407B	R-407C	R-410A	R-502	R-507A
033000-032	032	10	1.27	1.70	1.54	1.74	1.75	1.55	1.14	1.34	1.10	1.48	1.19	1.64	1.67	1.11	1.10
033000-0329	032S	10	1.41	1.84	1.72	1.93	1.95	1.72	1.27	1.48	1.22	1.65	1.32	1.82	1.86	1.23	1.23
033000-052	052	17	1.41	1.84	1.72	1.93	1.95	1.72	1.27	1.48	1.22	1.65	1.32	1.82	1.86	1.23	1.23
033000-0529	052S	17	1.48	2.05	1.80	2.03	2.04	1.80	1.34	1.56	1.29	1.73	1.39	1.91	1.95	1.29	1.29
033000-0525	0525S	17	2.47	3.32	3.00	3.38	3.40	3.01	2.23	2.60	2.14	2.88	2.31	3.19	3.25	2.15	2.15
033000-053	053	17	2.97	3.96	3.60	4.06	4.08	3.61	2.67	3.12	2.57	3.46	2.78	3.83	3.90	2.58	2.57
033000-0539	053S	17	3.54	4.74	4.29	4.83	4.86	4.30	3.18	3.71	3.06	4.12	3.31	4.56	4.64	3.07	3.06
033000-082	082	27	1.41	1.84	1.72	1.93	1.95	1.72	1.27	1.48	1.22	1.65	1.32	1.82	1.86	1.23	1.23
033000-0829	082S	27	1.56	2.12	1.89	2.13	2.14	1.89	1.40	1.63	1.35	1.81	1.46	2.01	2.04	1.35	1.35
033000-0825	0825S	27	2.62	3.46	3.17	3.58	3.60	3.18	2.35	2.74	2.27	3.05	2.45	3.37	3.43	2.27	2.27
033000-083	083	27	3.32	4.45	4.03	4.54	4.57	4.04	2.99	3.49	2.88	3.87	3.11	4.28	4.36	2.89	2.88
033000-0839	083S	27	3.75	5.02	4.54	5.12	5.15	4.55	3.37	3.93	3.25	4.37	3.51	4.83	4.92	3.26	3.25
033000-084	084	27	5.30	7.14	6.43	7.25	7.29	6.44	4.77	5.56	4.59	6.18	4.96	6.84	6.96	4.61	4.60
033000-0849	084S	27	5.37	7.21	6.52	7.35	7.39	6.53	4.83	5.64	4.65	6.26	5.03	6.93	7.05	4.67	4.66
033000-162	162	34	1.63	2.19	1.97	2.22	2.24	1.98	1.46	1.71	1.41	1.89	1.52	2.10	2.13	1.41	1.41
033000-1629	162S	34	1.77	2.40	2.14	2.42	2.43	2.15	1.59	1.85	1.53	2.06	1.65	2.28	2.32	1.54	1.53
033000-1625	1625S	34	3.04	4.03	3.69	4.16	4.18	3.69	2.74	3.19	2.63	3.54	2.84	3.92	3.99	2.64	2.64
033000-163	163	34	3.96	5.30	4.80	5.41	5.45	4.81	3.56	4.15	3.43	4.61	3.70	5.10	5.20	3.44	3.43
033000-1639	163S	34	4.38	5.94	5.32	5.99	6.03	5.33	3.94	4.60	3.80	5.11	4.10	5.65	5.75	3.81	3.80
033070-1639	163S (R-410A)	34	--	--	--	--	--	--	--	--	--	--	--	--	--	--	--
033000-164	164	34	6.72	9.05	8.15	9.18	9.24	8.16	6.04	7.05	5.82	7.83	6.28	8.66	8.81	5.84	5.82
033000-1649	164S	34	7.28	9.83	8.83	9.96	10.02	8.85	6.55	7.64	6.31	8.49	6.81	9.39	9.56	6.33	6.31
033000-165	165	34	9.40	12.58	11.40	12.86	12.94	11.43	8.46	9.87	8.15	10.96	8.80	12.12	12.34	8.17	8.15
033000-1659	165S	34	9.69	13.01	11.75	13.24	13.32	11.77	8.71	10.16	8.39	11.29	9.06	12.49	12.71	8.42	8.40
	166	34	11.03	14.78	13.38	15.08	15.17	13.40	9.92	11.57	9.55	12.85	10.32	14.22	14.47	9.59	9.56
033000-303	303	61	4.03	5.44	4.89	5.51	5.54	4.90	3.63	4.23	3.49	4.70	3.77	5.19	5.29	3.50	3.49
033000-3039	303S	61	4.60	6.15	5.57	6.28	6.32	5.59	4.13	4.82	3.98	5.35	4.30	5.92	6.03	3.99	3.98
033070-3039	303S (R-410A)	61	--	--	--	--	--	--	--	--	--	--	--	--	--	--	--
033000-304	304	61	7.99	10.75	9.69	10.92	10.99	9.71	7.19	8.38	6.92	9.31	7.47	10.30	10.48	6.94	6.93
033000-3049	304S	61	9.26	12.44	11.23	12.66	12.74	11.26	8.33	9.72	8.02	10.79	8.66	11.94	12.15	8.05	8.03
033000-305	305	61	10.96	14.71	13.29	14.98	15.07	13.32	9.86	11.50	9.49	12.77	10.25	14.13	14.38	9.52	9.50
033000-3059	305S	61	12.09	16.26	14.66	16.53	16.63	14.69	10.88	12.69	10.47	14.09	11.31	15.58	15.86	10.51	10.48
033000-3079	307S	61	14.99	20.15	18.18	20.49	20.62	18.22	13.48	15.73	12.98	17.46	14.02	19.32	19.67	13.03	13.00
033000-413	413	80	4.03	5.44	4.89	5.51	5.54	4.90	3.63	4.23	3.49	4.70	3.77	5.19	5.29	3.50	3.49
033000-414	414	80	8.06	10.82	9.78	11.02	11.09	9.80	7.25	8.46	6.98	9.39	7.54	10.39	10.58	7.01	6.99
033000-4149	414S	80	9.26	12.44	11.23	12.66	12.74	11.26	8.33	9.72	8.02	10.79	8.66	11.94	12.15	8.05	8.03
033000-415	415	80	10.96	14.71	13.29	14.98	15.07	13.32	9.86	11.50	9.49	12.77	10.25	14.13	14.38	9.52	9.50
033000-4159	415S	80	12.09	16.26	14.66	16.53	16.63	14.69	10.88	12.69	10.47	14.09	11.31	15.58	15.86	10.51	10.48
033000-4179	417S	80	17.18	23.12	20.84	23.49	23.63	20.88	15.46	18.03	14.88	20.02	16.07	22.15	22.54	14.93	14.90
033000-7569	756S	131	14.63	19.65	17.75	20.01	20.13	17.79	13.17	15.36	12.68	17.05	13.69	18.87	19.20	12.72	12.69
033000-7579	757S	131	18.17	24.32	22.04	24.84	24.99	22.08	16.35	19.07	15.74	21.17	17.00	23.42	23.84	15.79	15.75
033000-7599	759S	131	20.01	26.80	24.27	27.36	27.52	24.32	18.00	20.99	17.33	23.31	18.72	25.79	26.26	17.39	17.35

Compressors,  
Chillers, Condensers

Motors

Electrical

Heating  
Components

Indoor Air  
Quality

Thermostats

Oils &  
Chemicals

Accessories, Supplies  
& Commodities

Tools &  
Instruments

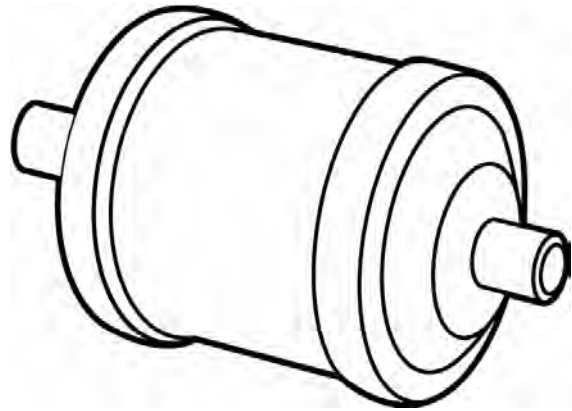
Refrigeration

## PARKER BI-FLOW FILTER DRIERS — BF SERIES-M

The “BF” Series bi-flow drier is designed specifically for heat pump or reverse cycle application. External check valves are not required since they are incorporated within the filter drier shell. The core design filters out contaminant particles down to 25 microns.

### KEY FEATURES AND BENEFITS

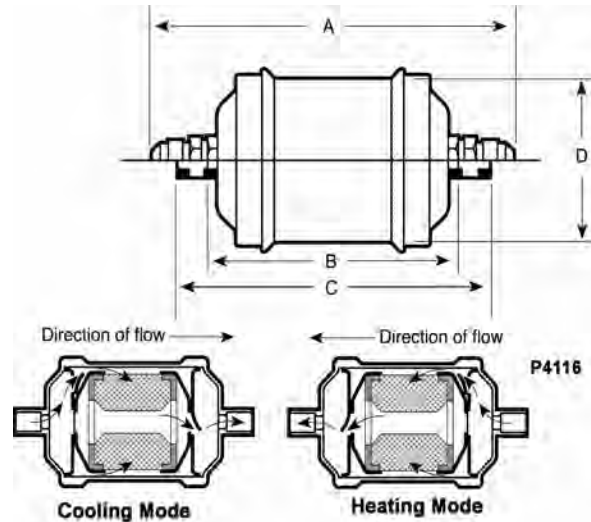
- 100% copper sweat or nickel plated flare fittings.
- Desiccant core provides reliable and effective removal of solid contaminants, acid and moisture.
- Core is cushioned in fiber gaskets to protect core and to insure trouble-free performance.
- Powder paint exterior coating surpasses 500 hour ASTM salt spray test and resists corrosion.
- U.L. listed file SA3441, CSA certified LR46423



P4115

### Bi-Flow Driers — DIMENSIONS

MODEL		FITTING	SYSTEM CUTOUT LENGTH			
Flare	Sweat	SIZE (in.)	“A”	“B”	“C”	“D”
	BF082S	1/4		4.10	5.27	2.50
BF083	BF083S	3/8	6.09	4.10	5.27	2.50
BF084	BF084S	1/2	6.35	4.10	5.41	2.50
	BF162S	1/4		4.10	5.92	2.50
BF163	BF163S	3/8	6.75	4.75	5.92	2.50
BF164	BF164S	1/2	7.00	4.75	6.06	2.50
	BF165S	5/8		4.75	6.30	2.50



### Refrigerant Holding Capacities for Bi-Flow Driers (in oz. of refrigerant @ 100° F)

MODEL SERIES	R-12	R-22	R-134a	R-401A	R-401B	R-401C	R-402A	R-402B	R-404A	R-407A	R-407B	R-407C	R-410A	R-502	R-507A
BF080	8.17	7.39	7.48	7.27	7.27	6.39	6.74	6.87	6.34	6.97	7.07	6.98	6.44	7.46	6.34
BF160	9.54	8.63	8.74	8.49	8.49	7.47	7.87	8.03	7.40	8.14	8.26	8.16	7.52	8.72	7.41

### Bi-Flow Drier Water Crop Capacity at ARI Conditions

MODEL SERIES	R-12 (15 ppm) 75° F/125° F	R-22 (60 ppm) 75° F/125° F	R-134a (150 ppm) 75° F/125° F	R-401A/B (50 ppm) 75° F/125° F	R-401C (50 ppm) 75° F/125° F	R-402A (50 ppm) 75° F/125° F	R-402B (50 ppm) 75° F/125° F
BF080	105/102	95/88	104/ 99	102/ 92	99/91	103/ 93	103/ 93
BF160	148/144	134/124	147/140	144/130	140/129	146/132	146/132

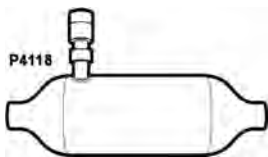
MODEL SERIES	R-404A (50 ppm) 75° F/125° F	R-407A (50 ppm) 75° F/125° F	R-407B (50 ppm) 75° F/125° F	R-407C (50 ppm) 75° F/125° F	R-410A (50 ppm) 75° F/125° F	R-502 (50 ppm) 75° F/125° F	R-507A (50 ppm) 75° F/125° F
BF080	103/97	68/62	68/62	73/65	56/50	97/91	104/98
BF160	146/137	97/87	97/87	103/93	79/71	137/129	148/138

## PARKER BI-FLOW FILTER DRIERS — BF SERIES

PART NO	MODEL NO	FILTER AREA	R-12	R-22	R-134a	R-401A	R-401B	R-401C	R-402A	R-402B	R-404A	R-407A	R-407B	R-407C	R-410A	R-502	R-507A
031653-01	BF082S	10.4	1.6	2.1	1.9	2.2	2.2	1.9	1.4	1.7	1.4	1.9	1.5	2.0	2.1	1.4	1.4
031653-02	BF083S	10.4	2.1	2.8	2.6	2.9	2.9	2.6	1.9	2.2	1.8	2.5	2.0	2.7	2.8	1.8	1.8
031653-03	BF084S	10.4	2.7	3.5	3.2	3.6	3.6	3.2	2.4	2.8	2.3	3.1	2.5	3.4	3.5	2.3	2.3
031653-04	BF083	10.4	2.1	2.8	2.6	2.9	2.9	2.6	1.9	2.2	1.8	2.5	2.0	2.7	2.8	1.8	1.8
031653-09	BF084	10.4	2.7	3.5	3.2	3.6	3.6	3.2	2.4	2.8	2.3	3.1	2.5	3.4	3.5	2.3	2.3
031653-05	BF162S	14.4	1.6	2.1	1.9	2.2	2.2	1.9	1.4	1.7	1.4	1.9	1.5	2.0	2.1	1.4	1.4
031653-06	BF163S	14.4	2.2	2.9	2.6	3.0	3.0	2.6	2.0	2.3	1.9	2.5	2.0	2.8	2.9	1.9	1.9
031653-07	BF164S	14.4	2.7	3.5	3.2	3.6	3.6	3.2	2.4	2.8	2.3	3.1	2.5	3.4	3.5	2.3	2.3
031653-11	BF165S	14.4	3.7	4.9	4.5	5.1	5.1	4.5	3.3	3.9	3.2	4.3	3.5	4.8	4.9	3.2	3.2
031653-08	BF163	14.4	2.1	2.8	2.6	2.9	2.9	2.6	1.9	2.2	1.8	2.5	2.0	2.7	2.8	1.8	1.8
031653-10	BF164	14.4	2.7	3.5	3.2	3.6	3.6	3.2	2.4	2.8	2.3	3.1	2.5	3.4	3.5	2.3	2.3

## PARKER COPPER SUCTION LINE DRIER (Cu SLD SERIES)

### Copper Suction Line Dryer Data



- High-acid solid core design.
- Flow capacities from 1/6 through 2-1/2 tons.
- Access valve to check system pressure or charge through.
- Applications include refrigerators, freezers, ductless A/C and PTAC units.

NOTE: Model Cu SLD 5/16 is 100% XH6 molecular sieve. Models Cu SLD-3S & 4S are 50% molecular sieve and 50% activated alumina.

PART NO	DESCRIPTION	MAXIMUM FLOW RATE						SYSTEM OA LENGTH (in)	CUTOUT LENGTH (in)
		22/ 402	134a	401A/B	404A, 502, 507	407A/B	410A		
031589-00	CuSLD 5/16 Copper Solid Core Suction Line Dryer	1/3	1/4	1/4	1/3	1/3	1/2	5.31	4.63
032104-00	CuSLD-3S Copper Solid Core Suction Line Dryer	2-1/2	2	2	2	2-1/2	2-1/2	6.71	6.00
032104-01	CuSLD-4S Copper Solid Core Suction Line Dryer	2-1/2	2	2	1-1/2	2-1/2	2-1/2	6.71	6.00

### Copper Suction Line Dryer Water Capacity in Drops at 75° F

PART NO	DESCRIPTION	FITTING TYPE & SIZE	R-12	R-22	R-134a	R-401A/B	R-401C	R-402A/B	R-404A	R-407A/B	R-407C	R-410A	R-502	R-507A
031589-00	CuSLD 5/16 Copper Solid Core Suction Line Dryer	5/16 Sweat	69.4	62.8	68.7	67.2	65.4	68.1	68.3	45.2	48.1	37.1	63.9	69
032104-00	CuSLD-3S Copper Solid Core Suction Line Dryer	3/8 Sweat	107.8	97.5	106.6	104.3	101.5	105.8	106	70.1	74.7	57.6	99.2	107.2
032104-01	CuSLD-4S Copper Solid Core Suction Line Dryer	1/2 Sweat	107.8	97.5	106.6	104.3	101.5	105.8	106	70.1	74.7	57.6	99.2	107.2

## PARKER - STEEL SUCTION LINE FILTER DRIERS — “The Original SLD”



Parker Hannifin developed and introduced the solid-core clean-up drier for use in a system suction line. The compact design incorporates a large outside diameter shell, which results in a shorter lay-in length, and a larger core, which provides a greater filtration area for maximum operating efficiency. The core material has controlled porosity which effectively removes and holds a maximum amount of contaminants with a minimum of pressure drop. In addition, the core material collects and holds inorganic acids and other harmful contaminants present after a motor burnout. The special binding process protects the core from acid decomposition. Access valves on both the inlet and outlet sides make it easy to measure pressure accurately. Occasionally, enough contaminant matter may collect in the filter core to cause a slight pressure drop. The access valves on the SLD make it easy to determine if a pressure drop exists and to measure the amount of the drop.

### KEY FEATURES AND BENEFITS

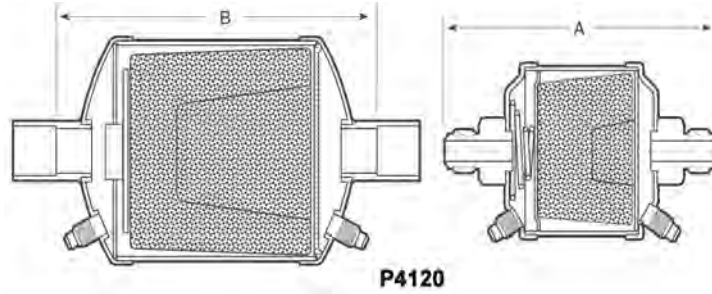
- The original SLD®, solid core, activated alumina suction line filter drier.
- High acid capacity.
- Low pressure drop - exceptionally high flow rates.
- Designed for system clean-up.
- 500 hours salt spray protection.
- Shortest system cut-out lengths allow installation in tight areas.
- Two access valves simplify pressure drop measurement.
- Flare or solid copper sweat fittings.
- UL listed - File No. SA3441.
- CSA listed LR46423.

### Steel Suction Line Drier Dimensions

PART NO	DESCRIPTION	A OVERALL LENGTH (in)	B SYSTEM CUTOUT LENGTH (in)	SHELL DIAMETER (in)
031593-01	SLD 8-3VHH Steel Suction Line Filter Drier	5.13	--	3
031593-03	SLD 8-3SVHH Steel Suction Line Filter Drier	4.31	3.13	3
031593-02	SLD 8-4VHH Steel Suction Line Filter Drier	5.38	--	3
031593-04	SLD 8-4SVHH Steel Suction Line Filter Drier	4.44	3.13	3
031593-05	SLD 8-5SVHH Steel Suction Line Filter Drier	4.66	3.16	3
031593-14	SLD 8-6SVHH Steel Suction Line Filter Drier	4.72	3.16	3
031593-09	SLD 13-5VHH Steel Suction Line Filter Drier	5.82	--	4
031593-06	SLD 13-5SVHH Steel Suction Line Filter Drier	4.91	3.45	4
031593-07	SLD 13-6SVHH Steel Suction Line Filter Drier	4.97	3.45	4
031593-08	SLD 13-7SVHH Steel Suction Line Filter Drier	4.97	3.47	4
031593-15	SLD 13-9SVHH Steel Suction Line Filter Drier	5.72	3.47	4
031593-10	SLD 27-7SVHH Steel Suction Line Filter Drier	6.97	5.47	4
031593-11	SLD 27-9SVHH Steel Suction Line Filter Drier	7.72	5.36	4
031593-12	SLD 54-11SVHH Steel Suction Line Filter Drier	12	9.17	4
031593-13	SLD 54-13SVHH Steel Suction Line Filter Drier	12	9.17	4

## PARKER - STEEL SUCTION LINE FILTER DRIERS — “The Original SLD”

Steel Suction Line Drier Water Drop Capacities at 65° F



PART NO	DESCRIPTION	FITTING SIZE (in)	DESICCANT (cu in)	FILTER AREA	R-22 & 404A	R-134a & 407	R-401A & 410A	R-502 & 507A
031593-01	SLD 8-3VHH Steel Suction Line Filter Drier	3/8 SAE Flare	8	17.25	168	168	200	185
031593-03	SLD 8-3SVHH Steel Suction Line Filter Drier	3/8 Sweat	8	17.25	168	168	200	185
031593-02	SLD 8-4VHH Steel Suction Line Filter Drier	1/2 SAE Flare	8	17.25	168	168	200	185
031593-04	SLD 8-4SVHH Steel Suction Line Filter Drier	1/2 Sweat	8	17.25	168	168	200	185
031593-05	SLD 8-5SVHH Steel Suction Line Filter Drier	5/8 Sweat	8	17.25	168	168	200	185
031593-14	SLD 8-6SVHH Steel Suction Line Filter Drier	3/4 Sweat	8	17.25	168	168	200	185
031593-09	SLD 13-5VHH Steel Suction Line Filter Drier	5/8 SAE Flare	13-1/2	26	284	284	338	312
031593-06	SLD 13-5SVHH Steel Suction Line Filter Drier	5/8 Sweat	13-1/2	26	284	284	338	312
031593-07	SLD 13-6SVHH Steel Suction Line Filter Drier	3/4 Sweat	13-1/2	26	284	284	338	312
031593-08	SLD 13-7SVHH Steel Suction Line Filter Drier	7/8 Sweat	13-1/2	26	284	284	338	312
031593-15	SLD 13-9SVHH Steel Suction Line Filter Drier	1-1/8 Sweat	13-1/2	26	284	284	338	312
031593-10	SLD 27-7SVHH Steel Suction Line Filter Drier	7/8 Sweat	27	49	568	568	676	624
031593-11	SLD 27-9SVHH Steel Suction Line Filter Drier	1-1/8 Sweat	27	49	568	568	676	624
031593-12	SLD 54-11SVHH Steel Suction Line Filter Drier	1-3/8 Sweat	54	88	1136	1136	1352	1248
031593-13	SLD 54-13SVHH Steel Suction Line Filter Drier	1-5/8 Sweat	54	88	1136	1136	1352	1248

Compressors,  
Chillers, Condensers

Motors

Electrical

Heating  
Components

Indoor Air  
Quality

Thermostats

Oils &  
Chemicals

Accessories, Supplies  
& Commodities

Tools &  
Instruments

Refrigeration

## PARKER - STEEL SUCTION LINE FILTER DRIERS — “The Original SLD”

### Steel Suction Line Drier Water Drop Capacities at 65° F

Steel Suction Line Filter Dryer Ratings and Capacities

Refrigerant	R-22					R-134a				R-404A					R-407A & R-407C					
	40° F	20° F	0° F	-20° F	-40° F	40° F	20° F	0° F	-20° F	40° F	20° F	0° F	-20° F	-40° F	40° F	20° F	0° F	-20° F	-40° F	
Evaporator Temp																				
Pressure Drop PSI	3	2	1.5	1	0.5	2.0	1.5	1.0	0.5	3.0	2.0	1.5	1.0	0.5	3.0	2.0	1.5	1.0	0.5	
SLD 8-3V-HH	1.1	0.8	0.6	0.4	0.2	0.7	0.6	0.5	0.4	1.0	0.7	0.5	0.3	0.3	1.1	0.8	0.6	0.4	0.2	
SLD 8-3SV-HH	1.2	0.9	0.7	0.5	0.3	0.8	0.7	0.6	0.5	1.0	0.8	0.6	0.4	0.5	1.2	0.9	0.7	0.5	0.3	
SLD 8-4V-HH	2.3	1.6	1.1	0.7	0.4	1.5	1.2	0.9	0.7	2.0	1.4	0.9	0.6	0.6	2.2	1.6	1.1	0.7	0.4	
SLD 8-4SV-HH	2.6	1.8	1.2	0.8	0.5	1.7	1.4	1.0	0.8	2.3	1.5	1.0	0.6	0.8	2.5	1.8	1.2	0.8	0.5	
SLD 8-5SV-HH	3.9	2.6	1.8	1.2	0.6	2.5	2.0	1.5	1.1	3.4	2.2	1.5	1.0	1.0	3.8	2.6	1.8	1.2	0.6	
SLD 8-6SV-HH	4.2	2.8	1.9	1.3	0.6	2.7	2.1	1.6	1.2	3.6	2.4	1.6	1.0	1.0	4.1	2.8	1.9	1.3	0.6	
SLD 13-5V-HH	4.1	2.7	2.0	1.3	0.8	2.6	2.0	1.7	1.2	3.6	2.3	1.6	1.0	1.3	4.0	2.7	2.0	1.3	0.8	
SLD 13-5SV-HH	5.0	3.0	2.5	1.5	1.0	3.2	2.3	2.1	1.4	4.3	2.5	2.1	1.2	1.6	4.9	3.0	2.5	1.5	1.0	
SLD 13-6SV-HH	7.0	4.5	3.0	2.0	1.0	4.5	3.4	2.5	1.9	6.1	3.8	2.5	1.6	1.6	6.8	4.5	3.0	2.0	1.0	
SLD 13-7SV-HH	7.0	4.5	3.0	2.0	1.0	4.5	3.4	2.5	1.9	6.1	3.8	2.5	1.6	1.6	6.8	4.5	3.0	2.0	1.0	
SLD 13-9SV-HH	7.2	4.6	3.1	2.1	1.0	4.6	3.5	2.6	2.0	6.3	3.9	2.5	1.7	1.6	7.0	4.6	3.1	2.1	1.0	
SLD 27-7SV-HH	10.0	8.0	5.0	3.0	2.0	6.4	6.0	4.2	2.9	8.7	6.8	4.1	2.4	3.2	9.7	7.9	5.0	3.1	2.1	
SLD 27-9SV-HH	13.0	9.0	6.0	4.0	2.0	8.3	6.8	5.1	3.8	11.3	7.6	4.9	3.2	3.2	12.7	8.3	6.0	4.1	2.1	
SLD 54-11SV-HH	20.0	13.5	9.5	6.5	3.5	12.8	10.2	8.0	6.2	17.4	11.4	7.8	5.2	5.7	19.5	13.4	9.5	6.6	3.6	
SLD 54-13SV-HH	23.0	16.0	11.0	7.0	4.0	14.7	12.1	9.3	6.7	20.0	13.5	9.0	5.6	6.5	22.4	15.8	11.1	7.1	4.1	

Refrigerant	R-407B					R-410A					R-502					R-507A				
	40° F	20° F	0° F	-20° F	-40° F	40° F	20° F	0° F	-20° F	-40° F	40° F	20° F	0° F	-20° F	-40° F	40° F	20° F	0° F	-20° F	-40° F
Evaporator Temp																				
Pressure Drop PSI	3.0	2.0	1.5	1.0	0.5	3.0	2.0	1.5	1.0	0.5	3	2	1.5	1	0.5	3	2	1.5	1	0.5
SLD 8-3V-HH	0.1	0.8	0.6	0.4	0.2	1.4	0.6	0.5	0.3	0.1	0.9	0.6	0.4	0.3	0.2	1.0	0.7	0.5	0.3	0.2
SLD 8-3SV-HH	1.1	0.8	0.7	0.5	0.3	1.5	0.7	0.5	0.4	0.2	1.0	0.7	0.5	0.4	0.2	1.1	0.8	0.6	0.4	0.2
SLD 8-4V-HH	2.1	1.5	1.0	0.7	0.4	2.9	1.2	0.8	0.5	0.3	1.8	1.2	0.9	0.6	0.3	2.1	1.4	0.9	0.6	0.3
SLD 8-4SV-HH	2.4	1.7	1.1	0.8	0.5	3.2	1.4	0.9	0.6	0.4	2.0	1.3	1.0	0.7	0.4	2.3	1.6	1.0	0.7	0.4
SLD 8-5SV-HH	3.6	2.4	1.7	1.2	0.6	4.8	2.0	1.4	0.9	0.4	3.1	2.1	1.5	1.0	0.5	3.5	2.3	1.5	1.0	0.5
SLD 8-6SV-HH	3.9	2.6	1.8	1.3	0.6	5.2	2.1	1.4	1.0	0.4	3.3	2.3	1.6	1.1	0.5	3.8	2.5	1.6	1.1	0.5
SLD 13-5V-HH	3.8	2.5	1.9	1.3	0.8	5.1	2.1	1.5	1.0	0.6	3.2	2.3	1.6	1.0	0.6	3.7	2.4	1.7	1.1	0.6
SLD 13-5SV-HH	4.6	2.8	2.4	1.4	1.0	6.2	2.3	1.9	1.1	0.7	4.0	2.5	2.0	1.0	0.6	4.5	2.7	2.1	1.2	0.8
SLD 13-6SV-HH	6.5	4.2	2.9	1.9	1.0	8.7	3.4	2.3	1.5	0.7	5.0	3.5	2.5	1.5	1.0	6.3	4.0	2.6	1.7	0.8
SLD 13-7SV-HH	6.5	4.2	2.9	1.9	1.0	8.7	3.4	2.3	1.5	0.7	5.0	3.5	2.5	1.5	1.0	6.3	4.0	2.6	1.7	0.8
SLD 13-9SV-HH	6.7	4.3	2.9	2.0	1.0	8.9	3.5	2.3	1.6	0.7	5.1	3.6	2.6	1.5	1.0	6.4	4.1	2.6	1.7	0.8
SLD 27-7SV-HH	9.3	7.5	4.8	2.9	1.9	12.4	6.1	3.8	2.2	1.5	8.0	5.0	4.0	2.5	1.5	8.9	7.2	4.3	2.5	1.6
SLD 27-9SV-HH	12.1	8.5	5.7	3.9	1.9	16.1	6.9	4.5	3.0	1.5	10.0	7.0	5.0	3.0	2.0	11.6	8.1	5.1	3.3	1.6
SLD 54-11SV-HH	18.6	12.7	9.0	6.3	3.4	24.8	10.3	7.2	4.8	2.6	15.0	10.5	7.5	5.0	3.0	17.9	12.1	8.1	5.4	2.8
SLD 54-13SV-HH	21.4	15.1	10.5	6.7	3.9	28.5	12.2	8.3	5.2	2.9	18.0	12.5	9.0	6.0	3.0	20.6	14.3	9.4	5.8	3.2

## PARKER - REPLACEMENT DRYER SHELLS AND FILTER CORES

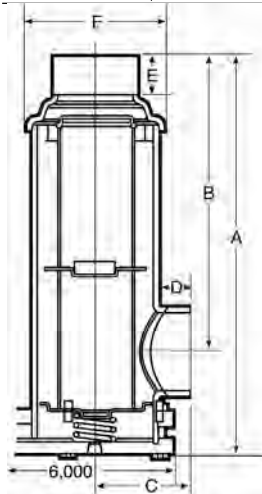


Parker replacement filter cores and drier shells are designed to provide flexibility over a wide range of applications. All models are designed for use in both the liquid and suction line of refrigeration or air conditioning systems. In single or multiple-core applications, cores may be loaded individually for ease of installation in tight spots. A wide range of fittings for suction-line applications and interchangeable laying-in dimensions with other manufactured models increase product versatility. A new design of the internal assembly provides the advantage of using the Parker PFE-48BF filter element, which removes solid contaminants such as copper oxides, chips and other metal fines. The new design is also suited for using Parker drier cores such as the Z-48 or the PCK-48HH, which provides removal of moisture, acid, wax and oil/flux paste.

### KEY FEATURES AND BENEFITS

- Solid copper full flow fittings, 5/8 inch to 3-1/8 inch.
- Powder paint exterior coating surpasses 500 hour ASTM salt spray tests and resists corrosion.
- Aluminum end plates and stainless steel bolts resist corrosion
- For suction application: removable screen.
- U.L. listed file no. SA3441, CSA certified LR46423.
- Working pressure: 500 psi.
- All welded construction.

PART NO	DESCRIPTION	No of Cores	Connection Size & Type	Dimensions (in)					
				A	B	C	D	E	F
089021-01	P-485 Replaceable Core Filter Drier Shell	1	5/8 ODF	9.14	5.52	3.18	0.63	0.63	4-3/4
089021-02	P-487 Replaceable Core Filter Drier Shell	1	7/8 ODF	9.45	5.83	3.49	0.88	0.88	4-3/4
089021-09	P-489 Replaceable Core Filter Drier Shell	1	1-1/8 ODF	9.45	5.83	3.49	1.00	1.00	4-3/4
089021-10	P-4811 Replaceable Core Filter Drier Shell	1	1-3/8 ODF	9.66	6.04	3.70	1.00	1.00	4-3/4
089021-13	P-4813 Replaceable Core Filter Drier Shell	1	1-5/8 ODF	9.65	6.03	3.69	1.00	1.00	4-3/4
089021-15	P-4817 Replaceable Core Filter Drier Shell	1	2-1/8	10.16	6.54	3.97	1.34	1.34	4-3/4
089021-16	P-4821 Replaceable Core Filter Drier Shell	1	2-5/8 ODF	10.34	6.22	4.16	1.50	1.50	4-3/4
089021-03	P-967 Replaceable Core Filter Drier Shell	2	7/8 ODF	14.95	11.33	3.49	0.88	0.88	4-3/4
089021-04	P-969 Replaceable Core Filter Drier Shell	2	1-1/8 ODF	14.95	11.33	3.49	1.00	1.00	4-3/4
089021-11	P-9611 Replaceable Core Filter Drier Shell	2	1-3/8 ODF	15.16	11.54	3.70	1.00	1.00	4-3/4
089021-12	P-9613 Replaceable Core Filter Drier Shell	2	1-5/8 ODF	15.15	11.53	3.69	1.00	1.00	4-3/4
089021-17	P-9617 Replaceable Core Filter Drier Shell	2	2-1/8 ODF	15.56	11.94	3.97	1.34	1.34	4-3/4
089021-18	P-9621 Replaceable Core Filter Drier Shell	2	2-5/8 ODF	15.75	11.63	4.16	1.50	1.50	4-3/4
089021-19	P-9625 Replaceable Core Filter Drier Shell	2	3-1/8 ODF	15.93	10.57	4.37	1.75	1.75	4-3/4
089021-05	P-1449 Replaceable Core Filter Drier Shell	3	1-1/8 ODF	20.51	16.89	3.49	1.00	1.00	4-3/4
089021-06	P-14411 Replaceable Core Filter Drier Shell	3	1-3/8 ODF	20.72	17.10	3.70	1.00	1.00	4-3/4
089021-14	P-14413 Replaceable Core Filter Drier Shell	3	1-5/8 ODF	20.71	17.09	3.69	1.00	1.00	4-3/4
089021-20	P-14417 Replaceable Core Filter Drier Shell	3	2-1/8 ODF	21.56	17.63	3.97	1.34	1.34	4-3/4
089021-07	P-19211 Replaceable Core Filter Drier Shell	4	1-3/8 ODF	26.28	22.66	3.70	1.00	1.00	4-3/4
089021-08	P-19213 Replaceable Core Filter Drier Shell	4	1-5/8 ODF	26.27	22.65	3.69	1.00	1.00	4-3/4
089021-21	P-19217 Replaceable Core Filter Drier Shell	4	2-1/8 ODF	27.12	23.12	3.97	1.34	1.34	4-3/4



P4121A

## PARKER - REFRIGERANT RECOVERY PRODUCTS

Parker provides a large selection of components for recovery, recycle and reclaim machines, protecting them from the many types contaminants that are encountered during the servicing of systems.

### PF Series



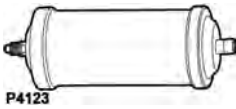
The PF052 & PF052MF are designed to provide a filtration level of 15 microns. When installed on the inlet of your machine it can prevent costly damage by filtering solid contaminants out of the refrigerant before it enters your machine. The Parker pre-filter is for temporary use only and should be changed after servicing a maximum of six to eight systems. Change out may be needed sooner depending on actual system conditions. Various fitting combinations are available.

#### KEY FEATURES AND BENEFITS

- Female outlet fitting allows direct mounting to the machine.
- Extended female end fitting provides valve handle clearance.
- Male-to-male fittings allow connection to or between hoses.
- Enlarged depth filtering area.
- UL listed/CSA certified.

MODEL NO	Inlet (in)	Outlet (in)
PF 052	1/4 SAE male flare	1/4 SAE male flare
PF 052MF	1/4 SAE male flare	1/4 SAE female flare

### SPD Series



The SPD series is an enlarged version of the PF Series with drying capabilities. This Super Pre-Filter-Drier should be installed at the inlet of the machine and used where there are concentrations of contaminants in the refrigerant. Moisture capacity of this unit size exceeds anything else currently available in the market. The Super SPD series is the ideal solution when transferring large amounts of refrigerant for reclaim or recycle.

#### KEY FEATURES AND BENEFITS

- Super high capacity for acid and moisture removal.
- Removes 504 drops of moisture vs. industry standard of 150 drops.
- Available with either 1/4 inch SAE or 3/8 inch SAE flare connections.
- Compatible with all HCFC, CFC and other refrigerants and blends.

MODEL NO	Inlet (in)	Outlet (in)
SPD-162	1/4 SAE male flare	1/4 SAE male flare
SPD-162MF	1/4 SAE male flare	1/4 SAE female flare
SPD-163	3/8 SAE male flare	3/8 SAE male flare



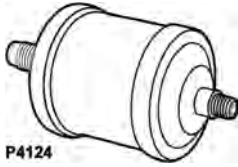
## LP Gas Filter

Additives to LP gas can cause scaling and flaking of copper and aluminum tubing over a period of time. The Parker LP Gas Filter effectively removes these contaminants.

### KEY FEATURES AND BENEFITS

- Special paint meets U.L. requirements for gas appliances.
- (For LP Gas Filter, consult factory for inlet/outlet data and part numbers.)**

## PRD-3 SERIES



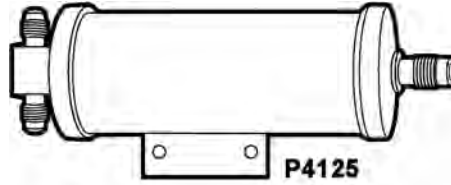
Specifically designed for OEM recovery units that require 3/8 inch flare connections and a larger cross sectional filter area. The PRD-3 filter drier meets or exceeds OEM specifications providing both value and efficiency.

### KEY FEATURES AND BENEFITS

- High acid and high moisture capacity.
- Enlarged filtration area.
- 3/8 inch SAE male flare fittings on both ends.
- Drop in replacement for ASD-28F3 or KH45LD010.
- Compatible with all HCFC, CFC and other refrigerant blends.

MODEL NO	Inlet (in)	Outlet (in)
PRD-3	3/8 SAE male flare	3/8 SAE male flare

## Oil Vapor Dryer Separator

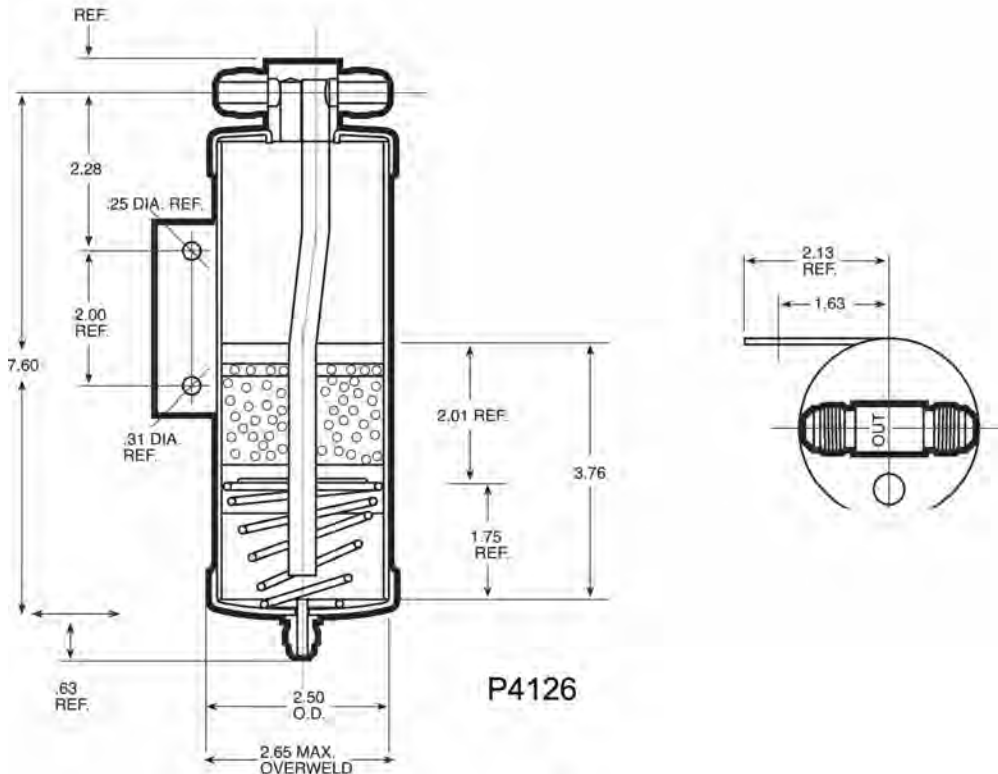


The Parker Vapor Drier Separator (VDS Series) removes contaminated oil from a system in addition to solids, acid and moisture. A 1/4 inch SAE oil drain access fitting is located on the bottom to provide a continuous means of measuring the amount of oil removed from a system, thereby indicating the amount needed to be replaced. The VDS holds up to four ounces of oil and is reusable for up to 50 pounds of refrigerant, depending upon contamination levels. For rigid or secure mounting, a side bracket is welded to the body. The VDS can also be hung from a manifold gauge set with the wire strap provided. A model is available with coalescing element for improved oil separation.

### KEY FEATURES AND BENEFITS

- Oil removal drain fitting.
- Acid and moisture removal
- 3/8 inch SAE male flare fittings.
- Mounting bracket.
- Inlet access valve fitting.

PART NO	MODEL NO	CONNECTIONS	QTY	CTN	WT
031868-00	PF052	1/4-in. SAE Male	25		26.0
031869-00	PF052MF	1/4-in. SAE Male x Female	25		26.0
088269-02	VDS	3/8-in. SAE Male	1		2.75
031889-00	PRD3	3/8-in. SAE male	12		36.0
070276-02	SPD162	1/4-in. SAE Male	25		37.3
070276-01	SPD162MF	1/4-in. SAE Male x Female	25		37.3
070276-03	SPD163	3/8-in. SAE male	25		39.8
085552-03	302V	1/4-in. SAE Male	10		36.4
085638-01	304V	1/2-in. SAE Male	10		36.4



## PARKER - FILTER DRIER CORES



### Z-48 Super High Capacity Core

Most highly recommended for use with POEs. Formulated for use with the new refrigerants, blends and synthetic polyolester oils. For hi-moisture, acid, sludge and particulate removal. The Z-48 has 3 times the moisture capacity of standard cores.

### PCX-48 High Capacity Gold Label Core

For use in either liquid or suction line applications, the PCX-48 offers significantly higher moisture and acid capacity than standard cores. For systems with excessive moisture concerns and polyolester oils.

### PCK-48 Burnout/Clean-up Core

For use in either liquid or suction line applications, the PCK-48 is formulated for burnouts where wax is not the issue. It also provides general clean-up of acids, varnishes, sludge and moisture

### PCK-48HH Charcoal Burnout Core

Formulated with charcoal to remove wax on low temperature systems even before problems occur. The PCK-48HH can be used in either liquid or suction line applications and also removes acids, water, solids and sludge. Recommended for refrigerant reclaim/recovery units.

### PCK-100 High Capacity Core

For use in either liquid or suction line applications, the PCK-100 provides the lowest pressure drop possible while retaining high filter capacity. The PCK-100 offers high water and acid capacities to assure fast system clean-up. Ideal for corrective or preventative maintenance programs.

### PFE-48BF Parker Filter Element

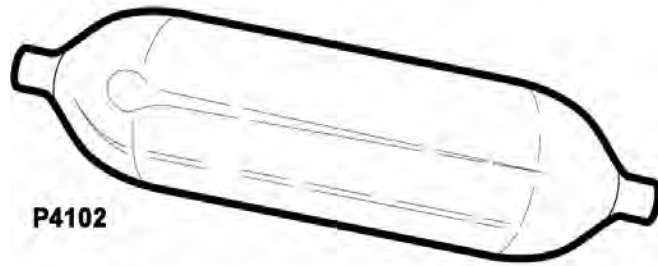
For use in filtering out solid contaminants. Suitable for bi-directional applications, this filter features low pressure drop and filtration capabilities down to 10 microns. It is also interchangeable with other manufacturers' filters.

PART NO	MODEL NO	SIZE	QTY	CTN	
					WT
031812-00	PCK-48HH	48 cu in.	12		23.10
031810-00	PCK-48	48 cu in.	12		23.10
031367-00	PCK-100	100 cu in.	4		13.30
031858-00	PFE48-BF	48 cu in.	12		8.00
031919-00	Z48	48 cu in.	12		23.10

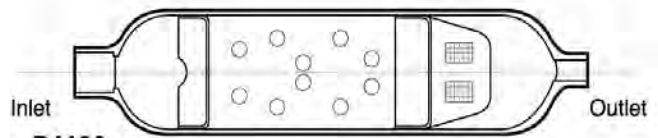
## PARKER - SPUN COPPER DRIERS

### KEY FEATURES & BENEFITS

- 100% molecular sieve beads for max water capacity.
- Spun copper shells and ends for easy solder installation.
- Brass or stainless steel screen material for corrosion resistance and maximum contaminant removal.
- Perforated baffle support plate ensures rigid containment of molecular sieve.
- UL recognized components. File #SA8570 CSA LR87950.
- Available in a variety of inlet and outlet sizes.
- One and two inlets are available as well as cap tube sizes on outlet from .081 to .125.



**P4102**



**P4103**

Recommended tonnages: 1/4 to 1/2 tons depending on application and system. Consult Parker.

Recommended tonnages: 1/4 to 1/2 tons depending on application and system. Consult Parker.

### 3/4" O.D. Copper Driers

PART NO	OVERALL LENGTH (in)	Inlet (in)	Outlet (in)	Design Working Pressure PSI
032099-00	4.63	.164	--	360
032099-00	4.63	.159	.091	360
032099-00	4.63	.258	.086	360
032099-00	4.63	.253	--	360
032159-00	4.50	.164	.091	360
032159-00	4.50	.159	.086	360
032200-00	4.37	.195	.081	500
032200-00	4.37	.190	.076	500
032169-00	4.75	.197	.092	360
032169-00	4.75	.192	.087	360

### 3/4" O.D. Copper Driers Water Capacities

Part No.	Water Capacity in Drops of Water													
	R-12		R-22		R-134a		R-401A/B		R-401C		R-402A		R-402B	
	75°	125°	75°	125°	75°	125°	75°	125°	75°	125°	75°	125°	75°	125°
032099-00	33.0	30.6	29.8	27.4	32.6	31.0	32.6	30.2	30.6	28.8	33.2	30.6	33.0	30.6
032159-00	33.0	30.6	29.8	27.4	32.6	31.0	32.6	30.2	30.6	28.8	33.2	30.6	33.0	30.6
032200-00	28.1	26.0	25.3	23.3	27.7	26.4	27.7	25.7	26.0	24.5	28.2	26.0	28.1	26.0
032169-00	33.0	30.6	29.8	27.4	32.6	31.0	32.6	30.2	30.6	28.8	33.2	30.6	33.0	30.6

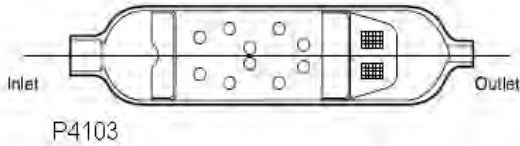
Part No.	Water Capacity in Drops of Water													
	R-404A		R-407A		R-407B		R-407C		R-410A		R-502		R-507A	
	75°	125°	75°	125°	75°	125°	75°	125°	75°	125°	75°	125°	75°	125°
032099-00	32.8	30.6	24.2	22.2	24.2	22.2	26.2	23.6	19.8	17.4	30.4	28.6	32.8	30.8
032159-00	32.8	30.6	24.2	22.2	24.2	22.2	26.2	23.6	19.8	17.4	30.4	28.6	32.8	30.8
032200-00	27.9	26.0	20.6	18.9	20.6	18.9	22.3	20.1	16.8	14.8	25.8	24.3	27.9	26.2
032169-00	32.8	30.6	24.2	22.2	24.2	22.2	26.2	23.6	19.8	17.4	30.4	28.6	32.8	30.8

One and two inlets are available as well as cap tube sizes on outlet from .081 to .125.

NOTE: All items on this page are non-stock and require a minimum 100-piece order.

## PARKER - SPUN COPPER DRIERS

### 1" O.D. Copper Driers



Recommended tonnages (PN 032083-00 & 058066-00):  
1/4 to 1/2 tons depending on application and system.

Consult Parker.

Recommended tonnages (Part Number 057404-00):  
R-12 = 1/2; R-22 = 2; R-134a = 2; R-401A = 2; R-404A = 1.3;  
R-410A = 2; R-502 = 1.3; and R-507A = 1.3.

PART NO	OVERALL LENGTH (in)	Inlet (in)	Outlet (in)	Design Working Pressure PSI
032083-00	4.00	.250	.098	500
032083-00	4.00	.244	.093	500
058066-00	4.19	.380	--	500
058066-00	4.19	.377	.195	500
058066-00	4.19	.256	.190	500
058066-00	4.19	.253	--	500
057404-00	3.81	.320	.320	500
057404-00	3.81	.315	.315	500

### 1" O.D. Copper Driers Water Capacities

Part No.	Water Capacity in Drops of Water													
	R-12		R-22		R-134a		R-401A/B		R-401C		R-402A		R-402B	
	75°	125°	75°	125°	75°	125°	75°	125°	75°	125°	75°	125°	75°	125°
032083-00	43.0	39.4	N/R	N/R	40.32	37.68	N/R	N/R	N/R	N/R	N/R	N/R	N/R	N/R
058066-00	49.5	45.9	44.7	41.1	48.9	46.5	48.9	45.3	45.9	43.2	49.8	45.9	49.5	45.6
057404-00	60.5	58.6	54.7	50.6	59.8	57.0	58.6	53.1	57.0	52.5	59.4	53.8	59.4	53.8

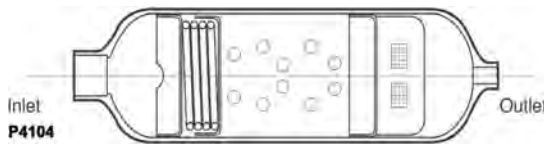
Part No.	Water Capacity in Drops of Water													
	R-404A		R-407A		R-407B		R-407C		R-410A		R-502		R-507A	
	75°	125°	75°	125°	75°	125°	75°	125°	75°	125°	75°	125°	75°	125°
032083-00	N/R	N/R	N/R	N/R	N/R	N/R	N/R	N/R	N/R	N/R	N/R	N/R	N/R	N/R
058066-00	49.2	45.9	36.3	33.3	36.3	33.3	39.3	35.4	29.7	26.1	45.6	42.9	49.2	46.2
057404-00	59.5	56.0	39.4	35.6	39.4	35.6	41.9	37.8	32.3	28.8	55.7	52.5	60.2	56.3

NR = Not Recommended. Consult Parker for more information.

NOTE: All items on this page are non-stock and require a minimum 100-piece order.

## PARKER - SPRING LOADED COPPER DRIERS

### 1-3/16" O.D. Spring Loaded Copper Driers



PART NO	OVERALL LENGTH (in)	Inlet (in)	Outlet (in)	Design Working Pressure PSI
056243-04	5.1	.508 .503	.508 .503	500.0
056243-03	5.1	.383 .378	.383 .378	500.0
053776-00	7.0	.384 .378	.384 .378	540.0

Part No.	Maximum Flow Rate at 1 Psig in Tons														
	R-12	R-22	R-134A	R-401A	R-401B	R-401C	R-402A	R-402B	R-404A	R-407A	R-407B	R-407C	R-410A	R-502	R-507A
056243-04	3.6	4.8	4.4	4.7	5.0	4.4	3.2	3.8	3.1	4.2	3.4	4.6	4.7	3.1	3.1
056243-03	2.7	3.6	3.3	3.5	3.7	3.3	2.4	2.8	2.3	3.1	2.5	3.5	3.5	2.3	2.3
053776-00	2.8	3.7	3.4	3.7	3.8	3.4	2.5	2.9	2.4	3.2	2.6	3.6	3.6	2.4	2.4

### 1-3/16" O.D. Spring Loaded Copper Driers Water Capacities

Part No.	Water Capacity in Drops of Water													
	R-12		R-22		R-134a		R-401A/B		R-401C		R-402A		R-402B	
	75°	125°	75°	125°	75°	125°	75°	125°	75°	125°	75°	125°	75°	125°
056243-04	94.5	91.5	85.5	79.0	93.5	89.0	91.5	83.0	89.0	82.0	92.8	84.0	92.8	84.0
056243-03	94.5	91.5	85.5	79.0	93.5	89.0	91.5	83.0	89.0	82.0	92.8	84.0	92.8	84.0
053776-00	170.1	164.7	153.9	142.2	168.3	160.2	164.7	149.4	160.2	147.6	167.0	151.2	167.0	151.2

Part No.	Water Capacity in Drops of Water													
	R-404A		R-407A		R-407B		R-407C		R-410A		R-502		R-507A	
	75°	125°	75°	125°	75°	125°	75°	125°	75°	125°	75°	125°	75°	125°
056243-04	93.0	87.5	61.5	55.6	61.5	55.6	65.5	59.0	50.5	45.0	87.0	82.0	94.0	88.0
056243-03	93.0	87.5	61.5	55.6	61.5	55.6	65.5	59.0	50.5	45.0	87.0	82.0	94.0	88.0
053776-00	167.4	157.5	110.7	100.0	110.7	100.0	117.9	106.2	90.9	81.0	156.6	147.6	169.2	158.4

One and two inlets are available as well as cap tube sizes on outlet from .25 to .50.

All 1-3/16" driers are U.L. recognized components, File #SA8570.

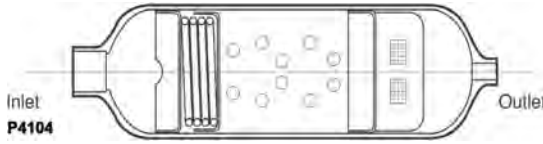
Tonnage ratings will vary depending on the inlet and outlet requested.

NOTE: All items on this page are non-stock.

# Refrigeration

## PARKER - SPRING LOADED COPPER DRIERS

### 1-3/16" O.D. Spring Loaded Copper Driers



PART NO	OVERALL LENGTH (in)	Inlet (in)	Outlet (in)	Design Working Pressure PSI
056243-04	5.1	.508 .503	.508 .503	500.0
056243-03	5.1	.383 .378	.383 .378	500.0
053776-00	7.0	.384 .378	.384 .378	540.0

Part No.	Maximum Flow Rate at 1 Psig in Tons															
	R-12	R-22	R-134A	R-401A	R-401B	R-401C	R-402A	R-402B	R-404A	R-407A	R-407B	R-407C	R-410A	R-502	R-507A	
056243-04	3.6	4.8	4.4	4.7	5.0	4.4	3.2	3.8	3.1	4.2	3.4	4.6	4.7	3.1	3.1	
056243-03	2.7	3.6	3.3	3.5	3.7	3.3	2.4	2.8	2.3	3.1	2.5	3.5	3.5	2.3	2.3	
053776-00	2.8	3.7	3.4	3.7	3.8	3.4	2.5	2.9	2.4	3.2	2.6	3.6	3.6	2.4	2.4	

### 1-3/16" O.D. Spring Loaded Copper Driers Water Capacities

Part No.	Water Capacity in Drops of Water													
	R-12		R-22		R-134a		R-401A/B		R-401C		R-402A		R-402B	
	75°	125°	75°	125°	75°	125°	75°	125°	75°	125°	75°	125°	75°	125°
056243-04	94.5	91.5	85.5	79.0	93.5	89.0	91.5	83.0	89.0	82.0	92.8	84.0	92.8	84.0
056243-03	94.5	91.5	85.5	79.0	93.5	89.0	91.5	83.0	89.0	82.0	92.8	84.0	92.8	84.0
053776-00	170.1	164.7	153.9	142.2	168.3	160.2	164.7	149.4	160.2	147.6	167.0	151.2	167.0	151.2

Part No.	Water Capacity in Drops of Water													
	R-404A		R-407A		R-407B		R-407C		R-410A		R-502		R-507A	
	75°	125°	75°	125°	75°	125°	75°	125°	75°	125°	75°	125°	75°	125°
056243-04	93.0	87.5	61.5	55.6	61.5	55.6	65.5	59.0	50.5	45.0	87.0	82.0	94.0	88.0
056243-03	93.0	87.5	61.5	55.6	61.5	55.6	65.5	59.0	50.5	45.0	87.0	82.0	94.0	88.0
053776-00	167.4	157.5	110.7	100.0	110.7	100.0	117.9	106.2	90.9	81.0	156.6	147.6	169.2	158.4

One and two inlets are available as well as cap tube sizes on outlet from .25 to .50.

All 1-3/16" driers are U.L. recognized components, File #SA8570.

Tonnage ratings will vary depending on the inlet and outlet requested.

NOTE: All items on this page are non-stock.

Compressors,  
Chillers, Condensers

Motors

Electrical

Heating  
Components

Indoor Air  
Quality

Thermostats

Oils &  
Chemicals

Accessories, Supplies  
& Commodities

Tools &  
Instruments

Refrigeration

## PARKER - SPRING LOADED COPPER DRIERS

### 1-5/8" O.D. Spring Loaded Copper Driers

PART NO	OVERALL LENGTH (in)	Inlet (in)	Outlet (in)	Design Working Pressure PSI
032040-00	6.00	.383	.383	500
032040-00	6.00	.378	.378	500
032145-00	4.38	.383	.383	500
032145-00	4.38	.378	.378	500
031805-03	5.50	.383	.383	500
031805-03	5.50	.378	.378	500
056244-01	5.38	.383	.383	500
056244-01	5.38	.378	.378	500
056156-01	7.00	.253	.253	500
056156-01	7.00	.256	.256	500

Part No.	Maximum Flow Rate at 1 Psig in Tons														
	R-12	R-22	R-134A	R-401A	R-401B	R-401C	R-402A	R-402B	R-404A	R-407A	R-407B	R-407C	R-410A	R-502	R-507A
032040-00	4.4	5.8	5.3	5.8	6.0	5.3	3.9	4.6	3.8	5.1	4.1	5.6	5.7	3.8	3.8
032145-00	3.5	4.7	4.3	4.6	4.8	4.3	3.2	3.7	3.1	4.1	3.3	4.5	4.6	3.0	3.1
031805-03	3.8	5.1	4.7	5.0	5.3	4.6	3.4	4.0	3.3	4.5	3.6	4.9	5.0	3.3	3.3
056244-01	3.7	5.0	4.5	4.9	5.2	4.6	3.4	3.9	3.2	4.4	3.5	4.8	4.8	3.2	3.2
056156-01	1.3	1.8	1.6	1.8	1.9	1.6	1.2	1.4	1.2	1.6	1.3	1.7	1.7	1.2	1.2

### 1-5/8" O.D. Spring Loaded Copper Driers Water Capacities

Part No.	Water Capacity in Drops of Water													
	R-12		R-22		R-134a		R-401A/B		R-401C		R-402A		R-402B	
	75°	125°	75°	125°	75°	125°	75°	125°	75°	125°	75°	125°	75°	125°
032040-00	170.1	164.7	153.9	142.2	168.3	160.2	164.7	149.4	160.2	147.6	167.0	151.2	167.0	151.2
032145-00	92.4	85.7	83.4	76.7	91.3	86.8	91.3	84.6	85.7	80.6	93.0	85.7	92.4	85.7
031805-03	132.3	128.1	119.7	110.6	130.9	124.6	128.1	116.2	124.6	114.8	129.9	117.6	129.9	117.6
056244-01	170.1	164.7	153.9	142.2	168.3	160.2	164.7	149.4	160.2	147.6	167.0	151.2	167.0	151.2
056156-01	340.2	329.4	307.8	284.4	336.6	320.4	329.4	298.8	320.4	295.2	333.9	302.4	333.9	302.4

One and two inlets are available as well as cap tube sizes on outlet from .125 to 5/8.  
 All 1-5/8" driers are U.L. recognized components, File #SA8570.  
 Tonnage ratings will vary depending on the inlet and outlet requested.  
 NOTE: All items on this page are non-stock and require a minimum 100-piece order.



## PARKER - COPPER SERVICE DRIERS



**P4105**



**P4106**



**P4107**



**P4108**



**P4109**



**P4110**

### Key Features and Benefits

- 100% XH-9 molecular sieve is specially formulated for the new refrigerants and blends, including 134a, 404A, and 507A.
- Compatible with mineral oils and the new synthetics (POEs).
- All copper construction for corrosion resistance.
- Worldwide OEM usage and acceptance.
- UL recognized and CSA certified.

Part No.	Model No.	Recommended Tonnages				
		R-22 R-402	R-134a	R-401A/B	R-404A, R-502, R-507A	R-410A
058070-01	MMS-80	1/3 to 2 tons depending on application and system. Contact Parker for details.				
058198-01	MMS-100					
032134-01	MMS-200					
032092-00	712					
032144-00	319					
032142-00	619					
032133-00	620					
032143-00	621					
032145-00	CO73S	4	4	4-1/2	3	4-1/2

Compressors,  
Chillers, Condensers

Motors

Electrical

Heating  
Components

Indoor Air  
Quality

Thermostats

Oils &  
Chemicals

Accessories, Supplies  
& Commodities

Tools &  
Instruments

Refrigeration

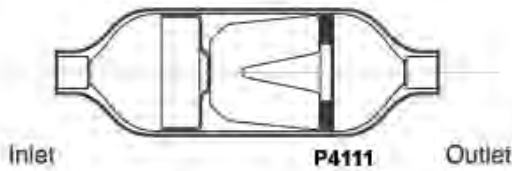
## PARKER - COPPER SERVICE DRIERS

### Parker Copper Service Driers Water Capacity

Part No.	Part No.	R-12		R-22		R-134a		R-401A/B		R-401C		R-402A		R-402B	
		75° F	125° F	75° F	125° F	75° F	125° F	75° F	125° F	75° F	125° F	75° F	125° F	75° F	125° F
058070-01	MMS-80	33.0	30.6	29.8	27.4	32.6	31.0	32.6	30.2	30.6	28.8	33.2	30.6	33.0	30.4
058198-01	MMS-100	33.0	30.6	29.8	27.4	32.6	31.0	32.6	30.2	30.6	28.8	33.2	30.6	33.0	30.4
032134-01	MMS-200	66.0	61.2	59.6	54.8	65.2	62.0	65.2	60.4	61.2	57.6	66.4	61.2	66.0	60.8
032092-00	712	33.0	30.6	29.8	27.4	32.6	31.0	32.6	30.2	30.6	28.8	33.2	30.6	33.0	30.4
032144-00	319	99.0	91.8	89.4	82.2	97.8	93.0	97.8	90.6	91.8	86.4	99.6	91.8	99.0	91.2
032142-00	619	33.0	30.6	29.8	27.4	32.6	31.0	32.6	30.2	30.6	28.8	33.2	30.6	33.0	30.4
032133-00	620	66.0	61.2	59.6	54.8	65.2	62.0	65.2	60.4	61.2	57.6	66.4	61.2	66.0	60.8
032143-00	621	66.0	61.2	59.6	54.8	65.2	62.0	65.2	60.4	61.2	57.6	66.4	61.2	66.0	60.8
032145-00	CO73S	92.4	85.7	83.4	76.7	91.3	86.8	91.3	84.6	85.7	80.6	93.0	85.7	92.4	85.1

Part No.	Part No.	R-404A		R-407A		R-407B		R-407C		R-410A		R-502		R-507A	
		75° F	125° F	75° F	125° F	75° F	125° F	75° F	125° F	75° F	125° F	75° F	125° F	75° F	125° F
058070-01	MMS-80	32.8	30.6	24.2	22.2	24.2	22.2	26.2	23.6	19.8	17.4	30.4	28.6	32.8	30.8
058198-01	MMS-100	32.8	30.6	24.2	22.2	24.2	22.2	26.2	23.6	19.8	17.4	30.4	28.6	32.8	30.8
032134-01	MMS-200	65.6	61.2	48.4	44.4	48.4	44.4	52.4	47.2	39.6	34.8	60.8	57.2	65.6	61.6
032092-00	712	32.8	30.6	24.2	22.2	24.2	22.2	26.2	23.6	19.8	17.4	30.4	28.6	32.8	30.8
032144-00	319	98.4	91.8	72.6	66.6	72.6	66.6	78.6	70.8	59.4	52.2	91.2	85.8	98.4	92.4
032142-00	619	32.8	30.6	24.2	22.2	24.2	22.2	26.2	23.6	19.8	17.4	30.4	28.6	32.8	30.8
032133-00	620	65.6	61.2	48.4	44.4	48.4	44.4	52.4	47.2	39.6	34.8	60.8	57.2	65.6	61.6
032143-00	621	65.6	61.2	48.4	44.4	48.4	44.4	52.4	47.2	39.6	34.8	60.8	57.2	65.6	61.6
032145-00	CO73S	91.8	85.7	67.8	62.2	67.8	62.2	73.4	66.1	55.4	48.7	85.1	80.1	91.8	86.2

### Copper Filter Driers with Activated Alumina Core



- Activated alumina core provides excellent system filtration.
- Excellent for removing sludge and acids.

PART NO	Screen Area (sq in)	Filtration Capacity Microns	OVERALL LENGTH (in)	Inlet (in)	Outlet (in)	Design Working Pressure PSI
057945-00	0.94	30	3.69	1/4	5/16	450
057945-02	0.94	30	3.69	.383/.378	.383/.378	450

### Copper Filter Driers with Activated Alumina Core Water Capacities

PART NO	R-12		R-22		R-134a		R-401A/B		R-401C		R-402A/B	
	75° F	125° F	75° F	125° F	75° F	125° F	75° F	125° F	75° F	125° F	75° F	125° F
057945-00	11.7	9.2	10.9	8.6	10.8	10.2	10.5	9.5	10.2	9.4	10.7	9.7
057945-02	11.7	9.2	10.9	8.6	10.8	10.2	10.5	9.5	10.2	9.4	10.7	9.7

PART NO	R-404A		R-407A/B		R-407C		R-410A		R-502		R-507A	
	75° F	125° F	75° F	125° F	75° F	125° F	75° F	125° F	75° F	125° F	75° F	125° F
057945-00	10.7	10.1	7.1	6.4	7.5	6.8	5.8	5.2	10.0	7.7	10.8	10.1
057945-02	10.7	10.1	7.1	6.4	7.5	6.8	5.8	5.2	10.0	7.7	10.8	10.1

## PARKER - COPPER DRIERS

### COPPER LIQUID LINE SOLID CORE DRIER (Cu LLD® Series)

Copper Liquid Line Driers — Water Drop Capacity at ARI Conditions



#### Key Features and Benefits

- Solid core 100% molecular sieve drier.
- Super high moisture/acid capacity. Large flow capacity.
- Compatible with all new and existing refrigerants and blends.
- All copper body is corrosion resistant.
- U.L. recognized and CSA certified.

#### Copper Liquid Line Driers — Water Drop Capacity at ARI Conditions

PART NO	MODEL NO	OEM Model No	R-401				R-402			
			R-12 (15 ppm) 75° F/125° F	R-22 (60 ppm) 75° F/125° F	R-134a (50 ppm) 75° F/125° F	A/B (50 ppm) 75° F/125° F	C (50 ppm) 75° F/125° F	A (50 ppm) 75° F/125° F	B (50 ppm) 75° F/125° F	
	Cu LLD 2-3S*	s13	31/28	28/24	31/27	30/26	29/25	30/26	30/26	
	Cu LLD 3-2S*	s22	69/63	63/55	69/62	67/57	65/57	68/58	68/58	
	Cu LLD 3-3S*	s23	69/63	63/55	69/62	67/57	65/57	68/58	68/58	
032056-10	Cu LLD 5-3S	s33	95/87	86/75	94/85	92/79	90/78	94/80	94/80	
032055-10	Cu LLD 8-3S	s53	166/152	150/131	165/147	161/137	157/136	163/139	163/139	
032057-10	Cu LLD 16-3S	s83	266/242	241/209	263/236	258	258/ 20	251/217	261/223	

PART NO	MODEL NO	OEM Model No.	R-404A	R-407A	R-407B	R-407C	R-410A	R-502	R-507A
			(50 ppm) 75°F/125°F	(50 ppm) 75°F/125°F	(50 ppm) 75°F/125°F	(50 ppm) 75°F/125°F	(50 ppm) 75°F/125°F	(50 ppm) 75°F/125°F	(50 ppm) 75°F/125°F
	Cu LLD 2-3S*	s13	30/27	20/17	20/17	21/18	17/14	28/25	31/27
	Cu LLD 3-2S*	s22	68/61	45/38	45/38	48/41	37/31	64/57	69/61
	Cu LLD 3-3S*	s23	68/61	45/38	45/38	48/41	37/31	64/57	69/61
<b>032056-10</b>	Cu LLD 5-3S	s33	94/83	62/53	62/53	66/56	51/43	88/78	95/84
<b>032055-10</b>	Cu LLD 8-3S	s53	164/145	108/92	--	115/98	89/75	153/136	165/146
<b>032057-10</b>	Cu LLD 16-3S	s83	261/223	262/232	173/147	173/147	142/119	245/217	265/233

\*These items are non-stock.

#### Refrigerant Holding Capacities for Copper Liquid Line Core Driers

(in oz. of refrigerant @ 100° F)

OEM Model No	MRO Model	R-401			R-402		R-407			R-407C	R-410A	R-502	R-507A		
		R-12	R-22	R-134a	A/B	C	A	B							
s13	CuLLD2-3S	1.37	1.24	1.25	1.22	1.07	1.13	1.15	1.06	1.17	1.18	1.17	1.08	1.25	1.06
s22	CuLLD3-2S	2.82	2.55	2.58	2.51	2.21	2.33	2.38	2.19	2.41	2.44	2.41	2.23	2.58	2.19
s23	CuLLD3-3S	2.82	2.55	2.58	2.51	2.21	2.33	2.38	2.19	2.41	2.44	2.41	2.23	2.58	2.19
s33	CuLLD5-3S	3.52	3.18	3.22	3.13	2.76	2.90	2.96	2.73	3.01	3.05	3.01	2.78	3.22	2.74
s53	CuLLD8-3S	6.35	5.74	5.81	5.65	4.97	5.24	5.34	4.93	5.42	5.50	5.43	5.01	5.80	4.93
s83	CuLLD16-3S	6.91	6.25	6.33	6.15	5.41	5.70	5.82	5.36	5.90	5.98	5.91	5.45	6.32	5.37

# Refrigeration

## PARKER - COPPER DRIERS

### COPPER LIQUID LINE SOLID CORE DRIER (Cu LLD® Series)

#### Copper Liquid Line Driers — Installation Recommendations (Nominal Tons)

Selection Recommendations (Nominal Ratings - Tons) Refrigeration Commercial  
Low Temp. Equipment

Selection Recommendations (Nominal Ratings -  
Tons) Air Conditioning OEM, Self-Contained/Field  
Replacement

PART NO	OEM Model No	MRO Model	12 134a 401A	22 402	404A 502 507A	407C 410A	407A	407B	134a 401A	22 402 410A	404A 502 507A	407A	407B	407C
	s13	Cu LLD 2-3S	1	1	3/4	1-1/4	1	3/4	2	2	1-1/2	2	1-3/4	1-1/2
	s22	Cu LLD 3-2S	3/4	3/4	1/2	3/4	1/2	3/4	1-1/2	1-1/2	1	1-3/4	1	1-1/2
	s23	Cu LLD 3-3S	1-3/4	1-1/2	1-3/4	1-3/4	1-3/4	1-3/4	3-1/2	3	2-1/2	3-1/2	2-1/2	3-1/2
032056-10	s33	Cu LLD 5-3S	1-3/4	1-1/2	1-3/4	1-3/4	1-1/2	1-3/4	3-1/2	3	2-1/2	3	2-1/2	3-1/2
032055-10	s53	Cu LLD 8-3S	2	1-1/2	1-3/4	2	1-3/4	1-1/2	3-1/2	3	2-1/2	3-1/2	3	4
032057-10	s83	Cu LLD 16-3S	2	1-1/2	1-3/4	2	1-3/4	1-1/2	4	3-1/2	2-1/2	3-1/2	3	4

#### Copper Liquid Line Driers — Tons of Refrigerant at Pressure Drop 1 psi

OEM Model No	MRO Model	R-12	R-22	R-134a	R-401			R-402								
					A	B	C	A	R-402B	R-404A	R-407A	R-407B	R-407C	R-410A	R-502	R-507A
s13	Cu LLD 2-3S	2.2	2.9	2.6	2.9	3.0	2.7	2.0	2.3	1.9	2.6	2.1	2.9	2.8	1.9	1.9
s22	Cu LLD 3-2S	1.4	1.9	1.7	1.8	1.9	1.7	1.3	1.5	1.2	1.6	1.3	1.8	1.8	1.2	1.2
s23	Cu LLD 3-3S	3.2	4.3	3.9	4.3	4.4	3.9	2.9	3.4	2.8	3.7	3.0	4.2	4.2	2.8	2.8
s33	Cu LLD 5-3S	3.1	4.2	3.8	4.1	4.3	3.8	2.8	3.3	2.7	3.6	2.9	4.1	4.1	2.7	2.7
s53	Cu LLD 8-3S	3.4	4.6	4.2	4.5	4.7	4.1	3.1	3.6	3.0	4.0	3.2	4.5	4.5	3.0	3.0
s83	Cu LLD 16-3S	3.6	4.8	4.4	4.7	5.0	4.4	3.2	3.8	3.1	4.2	3.4	4.7	4.6	3.1	3.1

## PARKER - STEEL SUCTION LINE ACCUMULATOR DIMENSIONS AND FLOW

### U Tube Style Accumulators



P4042

### "U" Tube Style Accumulators

The Parker "U" tube accumulator design is a result of extensive laboratory testing plus detailed investigation of the various accumulators currently available. It takes into account all of the requirements essential for heat pump applications, including safe holding volume (relative to the system's total charge), protected flow control for positive refrigerant and oil return, and minimum pressure drop across the accumulator. Parker offers standard accumulator models designed for application on heat pump and refrigeration systems from ¼ through 12 tons. Liquid refrigerant holding requirements of suction accumulator may vary by application. Because of the diversity in heat pump systems, accumulator capacity selection should be determined by actual testing. Consult Parker for assistance if required.

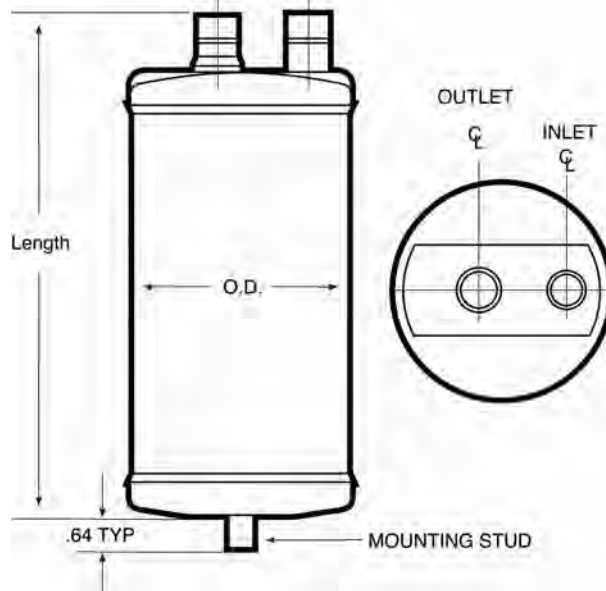
### KEY FEATURES & BENEFITS

- Solid copper connections.
- "U" tube design for maximum flow of refrigerant and minimum oil entrapment.
- Inlet flow deflector guides refrigerant toward wall for smooth tangential flow and gradual expansion.
- "U" tube entrance is positioned behind the inlet flow deflector to prevent unwanted liquid refrigerant from entering and damaging compressor.
- Metering orifice matched to system capacity assures optimum liquid refrigerant and oil flow back to compressor.
- Protective screen and orifice assembly on "U" tube protects against foreign particles and contaminants affecting metering function.
- Fittings and "U" tube are matched to accumulator holding capacity and total system charge for minimum pressure drop and maximum refrigerant flow.
- U.L. listed for 355 psig design pressure. File No. SA5172.
- Powder paint exterior coating surpasses 500 hour ASTM salt spray tests.
- Integral 430° F Fuse Plugs (U.L. File No. SA5441).

also available:

### Heat Exchanger Accumulator

- Can be made in all models of Parker's standard accumulators.
- Copper heat exchange coil for superior heat exchange.
- Liquid line connections available in 3/8" I.D.



P4043

## PARKER - STEEL SUCTION LINE ACCUMULATOR DIMENSIONS AND FLOW

PART NO.	MODEL NO.	SOLDER FITTING SIZE (in.)	DIMENSIONS (in.)		CAPACITY <sup>1</sup> (oz)	EVAP TEMP (°F)	RECOMMENDED CAPACITY IN TONS OF REFRIGERATION													
			Length	O.D.			22 & 404A		134a		401A		402A		407C		410A		502 & 507A	
							Tons @ 1psi	Min. Tons	Tons @ 1psi	Min. Tons	Tons @ 1psi	Min. Tons	Tons @ 1psi	Min. Tons	Tons @ 1psi	Min. Tons	Tons @ 1psi	Min. Tons	Tons @ 1psi	Min. Tons
089036-01	PA3060-10-4	1/2	10.35	3	35	40	2.00	0.35	1.67	0.30	1.42	0.25	1.97	1.01	1.97	0.46	1.93	1.44	1.48	0.27
089115-01	PA3060-10-5	5/8	10.35	3	35	40	1.54	0.25	0.98	0.16	1.06	0.18	1.53	0.41	1.53	0.18	1.50	0.65	1.10	0.2
						-20	1.33	0.21	0.69	0.11	0.90	0.15	1.32	0.25	1.32	0.11	1.30	0.42	0.93	0.16
089116-01	PA3060-15-5	5/8	15.05	3	55	40	2.10	0.35	1.75	0.30	1.49	0.25	2.07	1.01	2.07	0.46	2.02	1.44	1.55	0.27
						0	1.62	0.25	1.03	0.16	1.11	0.18	1.61	0.41	1.60	0.18	1.57	0.65	1.16	0.2
						-20	1.40	0.21	0.73	0.11	0.95	0.15	1.39	0.25	1.39	0.11	1.36	0.42	0.98	0.16
089117-01	PA3060-15-6	3/4	15.05	3	54	40	2.30	0.35	1.92	0.30	1.63	0.25	2.27	1.01	2.27	0.46	2.22	1.44	1.70	0.27
						0	1.77	0.25	1.12	0.16	1.22	0.18	1.76	0.41	1.75	0.18	1.72	0.65	1.27	0.2
						-20	1.53	0.21	0.80	0.11	1.04	0.15	1.52	0.25	1.52	0.11	1.49	0.42	1.07	0.16
089122-01	PA4065-9-5C	5/8	9.62	4	60	40	2.96	0.35	2.47	0.30	2.10	0.25	2.92	1.01	2.92	0.46	2.85	1.44	2.19	0.27
						0	2.28	0.25	1.44	0.16	1.57	0.18	2.27	0.41	2.26	0.18	2.21	0.65	1.63	0.2
						-20	1.98	0.21	1.03	0.11	1.34	0.15	1.97	0.25	1.96	0.11	1.93	0.42	1.39	0.16
089123-01	PA4065-9-6C	3/4	9-5/8	4	58	40	3.00	0.35	2.53	0.30	2.10	0.25	2.96	1.01	2.96	0.46	2.89	1.44	2.20	0.28
						0	2.30	0.25	1.48	0.16	1.60	0.18	2.29	0.41	2.28	0.18	2.23	0.65	1.70	0.2
						-20	2.00	0.21	1.05	0.11	1.40	0.15	1.99	0.25	1.98	0.11	1.95	0.42	1.40	0.16
089118-01	PA5083-9-6C	3/4	9.62	5	89	40	3.82	0.57	3.19	0.49	2.71	0.41	3.76	1.51	3.77	0.69	3.68	2.16	2.82	0.46
						0	2.95	0.41	1.86	0.27	2.03	0.30	2.94	0.61	2.92	0.27	2.86	0.98	2.10	0.33
						-20	2.55	0.35	1.32	0.18	1.73	0.24	2.53	0.37	2.53	0.16	2.48	0.63	1.79	0.27
089102-01	PA5083-9-7C	7/8	9.63	5	86	40	3.90	0.57	3.21	0.49	2.70	0.41	3.84	1.51	3.85	0.69	3.76	2.16	2.80	0.46
						0	3.00	0.41	1.88	0.27	2.00	0.30	2.98	0.61	2.97	0.27	2.91	0.98	2.10	0.33
						-20	2.60	0.35	1.33	0.18	1.70	0.24	2.58	0.37	2.58	0.16	2.53	0.63	1.80	0.27
089119-01	PA5083-12-7C	7/8	12.88	5	125	40	5.41	0.88	4.51	0.75	3.83	0.64	5.33	2.12	5.34	0.96	5.21	3.03	4.00	0.7
						0	4.17	0.64	2.64	0.42	2.87	0.45	4.15	0.86	4.13	0.38	4.05	1.37	2.98	0.51
						-20	3.61	0.54	1.87	0.28	2.45	0.37	3.59	0.52	3.58	0.22	3.52	0.88	2.53	0.41
089103-01	PA5083-11-7C	7/8	11.33	5	108	40	4.38	0.57	3.21	0.43	3.10	0.41	4.32	1.51	4.32	0.69	4.22	2.16	3.23	0.46
						0	3.37	0.41	1.88	0.24	2.32	0.30	3.35	0.61	3.34	0.27	3.27	0.98	2.41	0.33
						-20	2.92	0.35	1.33	0.16	1.98	0.24	2.90	0.57	2.89	0.16	2.84	0.63	2.04	0.27
089104-01	PA5083-11-6C	3/4	11.33	5	111	40	3.85	0.57	3.21	0.49	2.72	0.41	3.79	1.51	3.80	0.69	3.71	2.16	2.84	0.46
						0	2.97	0.41	1.88	0.27	2.04	0.30	2.96	0.61	2.94	0.27	2.88	0.98	2.12	0.33
						-20	2.56	0.35	1.33	0.18	1.74	0.24	2.54	0.57	2.54	0.16	2.49	0.63	1.80	0.27
089120-01	PA5083-15-7C	7/8	15.34	5	156	40	6.20	0.88	5.17	0.75	4.39	0.64	6.11	2.12	6.12	0.96	5.97	3.03	4.58	0.7
						0	4.78	0.64	3.03	0.42	3.29	0.45	4.76	0.86	4.73	0.38	4.64	1.37	3.41	0.51
						-20	4.13	0.54	2.15	0.28	2.80	0.37	4.10	0.52	4.09	0.22	4.02	0.88	2.90	0.41
089121-01	PA5083-17-7C	7/8	17.25	5	179	40	6.20	0.88	5.17	0.75	4.39	0.64	6.11	2.12	6.12	0.96	5.97	3.03	4.58	0.7
						0	4.78	0.64	3.03	0.42	3.27	0.45	4.76	0.86	4.73	0.38	4.64	1.37	3.41	0.51
						-20	4.13	0.54	2.15	0.28	2.80	0.37	4.10	0.52	4.09	0.22	4.02	0.88	2.90	0.41
089283-00	PA6125-15-9C	1-1/8	15.00	6	211	40	9.00	3.00	8.83	1.97	6.10	1.90	8.87	3.45	8.88	1.57	8.67	4.93	7.30	3
						0	5.60	2.00	5.62	0.82	3.70	1.20	5.57	1.40	5.55	0.62	5.44	2.23	4.50	2
						-20	4.30	0.80	4.31	0.50	2.80	0.05	4.27	0.85	4.26	0.36	4.19	1.43	3.40	0.8
089285-00	PA6125-15-11C	1-3/8	15.25	6	214	40	12.00	3.00	12.05	1.97	6.20	1.90	11.82	3.45	11.85	1.57	11.56	4.93	9.80	3
						0	7.50	2.00	7.52	0.82	5.00	1.20	7.46	1.40	7.43	0.62	7.28	2.23	6.00	2
						-20	5.80	0.80	5.82	0.50	3.60	0.05	5.76	0.85	5.75	0.36	5.65	1.43	4.60	0.8
089284-00	PA6125-18-9C	1-1/8	18.00	6	264	40	8.80	3.00	8.84	1.97	6.00	1.90	8.67	3.45	8.69	1.57	8.48	4.93	7.20	3
						0	5.50	2.00	5.52	0.82	3.70	1.20	5.47	1.4	5.45	0.62	5.34	2.23	4.40	2
						-20	4.30	0.80	4.31	0.50	2.80	0.05	4.27	0.85	4.26	0.36	4.19	1.43	3.40	0.8
089323-00	PA6125-18-11C	1-3/8	18.00	6	267	40	11.00	3.00	11.05	1.97	7.50	1.90	10.84	3.45	10.86	1.57	10.59	4.93	9.10	3
						0	7.00	2.00	7.02	0.82	4.60	1.20	6.96	1.4	6.93	0.62	6.80	2.23	5.50	2
						-20	5.40	0.80	5.42	0.50	3.50	0.05	5.37	0.85	5.35	0.36	5.26	1.43	4.20	0.8
089286-00	PA6125-20-11C	1-3/8	20.25	6	302	40	11.00	3.00	11.05	1.97	7.50	1.90	10.84	3.45	10.86	1.57	10.59	4.93	9.10	3
						0	7.00	2.00	7.02	0.82	4.60	1.20	6.96	1.4	6.93	0.62	6.80	2.23	5.50	2
						-20	5.40	0.80	5.42	0.50	3.50	0.05	5.37	0.85	5.35	0.36	5.26	1.43	4.20	0.8

\*Holding capacity of R-22 at 40° F. Divide by .7 to obtain recommended maximum system charge on fixed orifice systems. Consult Parker for availability.

## PARKER - POS-321 OIL SEPARATOR



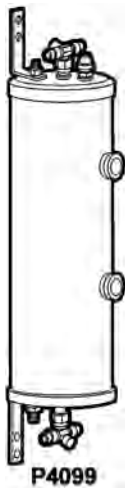
The Parker oil separator removes oil from system refrigerant by means of a highly efficient coalescing filter. The filter is 98.5% efficient, filtering oil and particles down to 1/10 of a micron while leaving a trace amount of oil necessary for adequate system lubrication. The separator is ideal for recovery and reclaim operations.

### KEY FEATURES AND BENEFITS

- 3.6 ounces/108 ml capacity
- Standard 1/8 inch NPT connection size.
- 1/4 inch or 3/8 inch flare or sweat connections optional
- For use with all CFC, HCFC and HFC refrigerants
- Design pressure of 500 psig/3550 kPa/35.5 bar.
- U.L. listed SA5915.

## PARKER - OIL SEPARATORS

### Oil Reservoirs



Parker oil reservoirs are holding vessels for stand-by oil necessary for the operation of a system.

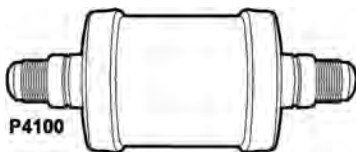
### KEY FEATURES AND BENEFITS

- Two or three sight glass ports for oil level monitoring.
- 3/8 inch flare valve on the top and bottom shipped separately to be adjusted per customer requirements. Allows isolation of the reservoir for addition or removal of oil from the tank.
- Vent port for connection to the suction line to prevent pressure build up in the reservoir.
- Available with mounting studs and brackets.
- Other sizes available: 1/4 and 1/2 tons.

PART NO	MODEL NO	TOTAL CAPACITY IN GALLONS	A CAPACITY (gal.)	B CAPACITY (gal.)	LENGTH (in.)
089351-00	POR-2	2	3/4	3/4	18
089379-00	POR-3	3	3/4	3/4	23
089350-00	POR-4	3	3/4	1-1/2	36

A capacity is the capacity to the first sight glass.  
B capacity is the capacity between the glasses.

## PS-033 Oil Strainer



Parker oil strainers removes contaminant from the oil line by means of a 200 mesh filter screen.

### KEY FEATURES AND BENEFITS

- Filtration area = 7.0 square inches.
- 3/8 inch SAE steel male flare connections.
- U.L. listed.
- Design pressure of 500 psig (3550 kPa).

## PARKER - COPPER STRAINERS/STRAINER DISTRIBUTORS



Strainers are low cost filtration devices designed to protect refrigeration components, including valves, compressors and capillary tubes, from system contaminants.

### KEY FEATURES AND BENEFITS

- Copper construction to resist corrosion.
- 500 psig design pressure.
- Available in a variety of inlet and outlet sizes.
- UL recognized (File SA-8570) and CSA certified (LR-87950).

Proper selection of strainers is based on two parameters:

1. Maximum operating pressure
2. Contaminants present in the system.

**Maximum Operating Pressure** - Information regarding operating pressure is required to adequately size the wall thickness of the strainer to attain the ultimate burst pressure. In accordance with Underwriters Laboratories (UL) and Canadian Standards Association (CSA), the burst pressure for Parker strainers is rated as five times the design working pressure of the system. Listed in the catalog as design working pressure, this value can be correlated to tube diameter and wall thickness in order to meet specific UL specifications.

**Contaminants** - To determine the type and area of the screen, information about contaminants is needed. The size, type and cleanliness of the refrigeration system and its components, as well as the control of the assembly process, all determine the amount and size of the contaminants to be trapped by the strainer. The most common size of screen is 150 x 140 mesh which is used to protect capillary tubes. An extra large screen area should be selected if the strainer is expected to trap large amounts of foreign material. The large screen area will ensure there is enough area for passage of fluid without causing pressure drop.

### Recommended Screen Area

SCREEN AREA (sq in.)	LOW TEMP R-12 & R-134a 0° or Below	MED. TEMP R-12 & R-134a 0° F or Above	LOW TEMP R-22	AIR COND. R-22
0.8	1/8 hp	1/4 hp	1/8 hp	1/3 hp
1.8	1/4 hp	1/3 hp	1/3 hp	1/2 hp
2.2	1/3 hp	1/2 hp	1/2 hp	3/4 hp
2.3	1/2 hp	3/4 hp	3/4 hp	1 hp
5.2	1-1/2 hp	2 hp	1-1/2 hp	3 hp

### Strainer Screen Dimensions

MESH	DIAMETER OF WIRE	PARTICLE SIZE MAXIMUM DIAMETER	SCREEN MATERIAL	MICRON SIZE	% OPEN AREA
100 x 90	0.0045	0.0055	s.s.	140	30%
120 x 108	0.0036	0.0046	brass	117	30%
150 x 140	0.0026	0.0041	s.s.	104	37%

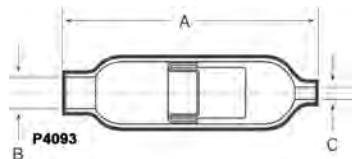
PART NO	MODEL NO	AREA (sq in)	OVERALL LENGTH (in)	INLET ID (B) (in)	OUTLET ID (C) (in)
054-816-03	PS-2S*	1.00	2.75	1/4	1/4
054-816-02	PS-3S*	1.00	2.75	3/8	3/8
056-822-00	PS-4S*	1.00	3.00	1/2	1/2
--	PS-5S	8.37	5.13	5/8	5/8
--	PS-7S	8.37	5.13	7/8	7/8
--	PS-9S	10.62	5.44	1-1/8	1-1/8
--	PS-11S	10.62	5.44	1-3/8	1-3/8
--	PS-13S	10.62	6.00	1-5/8	1-5/8

\*These are stock items, all others on this page are non-stock.



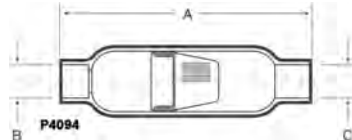
## PARKER - COPPER STRAINERS/STRAINER DISTRIBUTORS

### 5/8" O.D. Copper Strainers - Standard Products



PART NO	Design Working Pressure (psig)	Filtration Capacity Microns	SCREEN AREA (sq in.)	INLET ID (B) (in)	OUTLET ID (C) (in)	OVERALL LENGTH (A) (in.)
054139-00	500	140	0.75	1/4	.147-.152	2.25

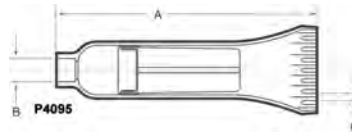
### 3/4" O.D. Copper Strainers



PART NO	Design Working Pressure (psig)	Filtration Capacity Microns	SCREEN AREA (sq in.)	INLET ID (B) (in)	OUTLET ID (C) (in)	OVERALL LENGTH (A) (in.)
054816-03	500	117	0.88	1/4	1/4	2.75
054816-06	500	117	0.88	3/8	5/16	2.75
054816-01	500	117	0.88	3/8	3/8 OD	2.75
054816-02	500	117	0.88	3/8	3/8	2.75
054816-10	500	117	0.88	1/2	1/2 OD	2.75
056822-00	500	140	0.88	1/2	1/2	3

### 1" O.D. Copper Strainers

#### STANDARD PRODUCT



PART NO	Design Working Pressure (psig)	Filtration Capacity Microns	SCREEN AREA (sq in.)	INLET ID (B) (in)	OUTLET ID (C) (in)	OVERALL LENGTH (A) (in.)
057073-01	500	140	1.96	3/8	8 @ 1/8	4.25

#### MODIFIED STANDARD

PART NO	Design Working Pressure (psig)	Filtration Capacity Microns	SCREEN AREA (sq in.)	INLET ID (B) (in)	OUTLET ID (C) (in)	OVERALL LENGTH (A) (in.)
441601	360-540	104	1.96	--	--	360-540

#### Outlet Options

Outlet	No. of Holes	Outlet	No. of Holes
0.081	1	0.125	1, 2, 3, 4, 5, 6, 8
0.087	1	3/16	1
0.093	1	1/4	1
0.099	1	5/16	1
0.106	1, 2, 3, 4, 5, 6, 8	3/8	1
0.112	1	1/2	1

#### Inlet Options

Inlet	No. of Holes
3/16	1
1/4	1, 2
5/16	1, 2
3/8	1
1/2	1
5/8	1

NOTE: All 1-in. O.D. strainers are Underwriters' Laboratories recognized file SA-8570, guide card SMGT-2 and Canadian Standards Association certified file No. LR-87950 Model 1025.

NOTE: All items on this page are non-stock.

# Refrigeration

Compressors,  
Chillers, Condensers

Motors

Electrical

Heating  
Components

Indoor Air  
Quality

Thermostats

Oils &  
Chemicals

Accessories, Supplies  
& Commodities

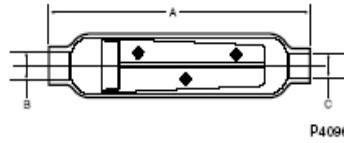
Tools &  
Instruments

Refrigeration

## PARKER - COPPER STRAINERS/STRAINER DISTRIBUTORS

### 1-3/16" O.D. Copper Strainers

STANDARD PRODUCT



PART NO	Design Working Pressure (psig)	Filtration Capacity Microns	SCREEN AREA (sq in.)	INLET ID (B) (in)	OUTLET ID (C) (in)	OVERALL LENGTH (A) (in.)
058307-00	500	140	8.37	1/2	1/2	5.13

### MODIFIED STANDARD

PART NO	Design Working Pressure (psig)	Filtration Capacity Microns	SCREEN AREA (sq in.)	INLET ID (B) (in)	OUTLET ID (C) (in)	OVERALL LENGTH (A) (in.)
441901	500	104	2.32	--	--	5.8-6.5

#### Outlet Options

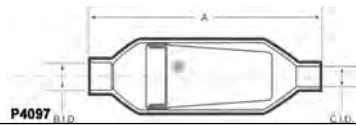
Outlet	No. of Holes	Outlet	No. of Holes
0.099	1, 2, 3, 4, 5, 6	1/4	1
0.106	1, 2, 4	5/16	1
0.112	1, 3, 4, 6	3/8	1, 2
0.125	1, 2	1/2	1

#### Inlet Options

Inlet	No. of Holes
1/4	1
5/16	1, 2
3/8	1, 2
1/2	1
5/8	1

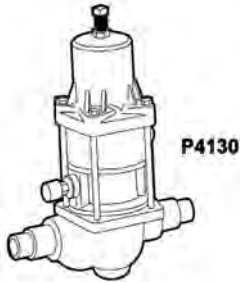
NOTE: All 1-3/16-in. O.D. strainers are Underwriters' Laboratories recognized file SA-8570, guide card SMGT-2 and Canadian Standard Association certified file No. LR-87950 Model 319.

### 1-5/8" O.D. Copper Strainers



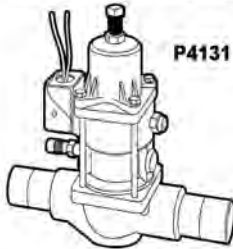
PART NO	Design Working Pressure (psig)	Filtration Capacity Microns	SCREEN AREA (sq in.)	INLET ID (B) (in)	OUTLET ID (C) (in)	OVERALL LENGTH (A) (in.)
053830-01	500	140	10.62	1/4	1/4	5.13
054745-01	500	140	10.62	5/8	.617-.622 OD	5.44

## PARKER - PRESSURE REGULATING VALVES



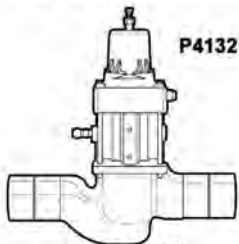
Parker Type A8A

5/8" - 1-1/8" ODS Connections



Parker Type A81S

1-1/8" - 2-1/8" ODS Connections



Parker Type A82

1-5/8" - 2-5/8" ODS Connections

### For R-22, R-502, R-404A, R-507 and other common refrigerants

- Pilot operated for close control at desired set point.
- Long life diaphragms. No bellows to fail.
- Lightweight and compact for easy handling.
- Sweat-in-place without disassembly for fast installation.
- In-line disassembly for fast service.
- Available with pilot electric shut-off or pilot electric wide opening.
- Excellent regulation at light load.
- Parabolic plug for precise regulation at reduced capacities.

### A8 Series Features

- Available for inlet, outlet or differential pressure control function.
- Dual set spring for smooth response from 10" hg to 400 psi.
- Low pressure drop — 1-1/2 psi at rated capacity — allows maximum compressor efficiency, saves energy.
- One valve handles high side or low side pressure control, reduces inventory.
- Controlled pressure remains constant within 1-1/2 psi of set point regardless of load fluctuations.
- Manual bypass opens regulator for quick pump down and ease in setting TXV superheat during startup.
- Furnished with access fitting for monitoring upstream system pressure.
- All servicing can be done with valve in line; A8's required only top access.
- Interchangeable capacity cartridges for all A8's.
- Stable drain control down to 20% of rated capacity when properly sized.

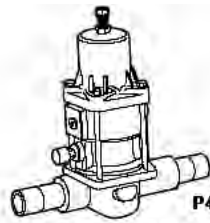
### A9 Series Features

- External or internal equalizer available.
- A9 for outlet control function; high pressure difference applications.

### SELECTION GUIDE

REGULATOR TYPE	FUNCTION	APPLICATION
A8A/A81/A82	Control inlet pressure	<ul style="list-style-type: none"> <li>• Evaporator pressure regulator</li> <li>• Discharge pressure regulator</li> <li>• Liquid drain regulator</li> </ul>
A8AS/A81S/A82S	Control inlet pressure with electric shutoff (defrost)	<ul style="list-style-type: none"> <li>• Evaporator pressure regulator</li> </ul>
A8AB/A81B/A82B	Control inlet pressure with wide opening (bypass)	<ul style="list-style-type: none"> <li>• Evaporator pressure regulator</li> <li>• Discharge pressure regulator</li> </ul>
A8AL/A81L/A82L	Control differential pressure	<ul style="list-style-type: none"> <li>• Discharge pressure regulator</li> <li>• Liquid supply regulator</li> <li>• Oil pressure regulator</li> </ul>
A8ABL/A81BL/A82BL	Control differential pressure with wide opening (bypass)	<ul style="list-style-type: none"> <li>• Discharge pressure regulator</li> <li>• Liquid supply regulator</li> </ul>

## PARKER - PRESSURE REGULATING VALVES



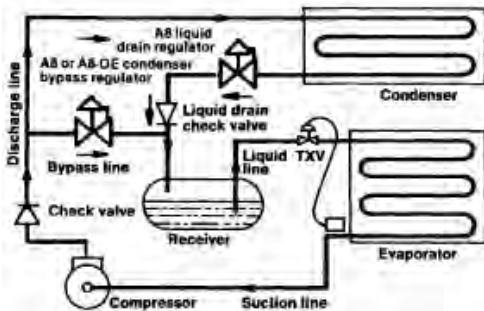
**P4133**  
**Parker Type A810E**  
 1-1/8" - 2-1/8" ODS Connections



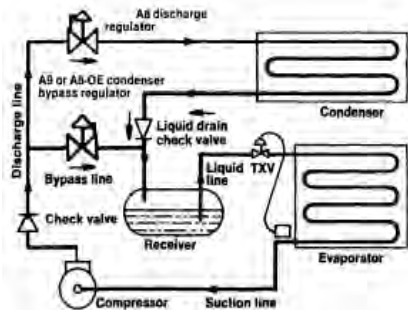
**P4134**  
**Parker Type A9E**  
 Externally Equalized  
 5/8", 7/8" and 1-1/8" ODS Connections



**P4135**  
**Parker Type A9SE**  
 Externally Equalized with Pilot Solenoid  
 5/8", 7/8" and 1-1/8" ODS Connections



**Fig. 1 — Liquid Drain Control Method**



**Fig. 2 — Discharge Gas Control Method**

### SIZING GUIDE FOR CONDENSER APPLICATIONS

Size valve by effective port size.

#### For Liquid Drain Regulator Applications (Fig. 1)

Conditions: 3 psi Pressure Drop

Type	Effective Port (in.)	U.S. Capacity in Tons		
		R-12	R-22	R-502
A8A	5/8 Reduced	5.4	7.4	4.6
A8A	5/8 Full	12.0	16.0	10.0
A8A	7/8	18.0	25.0	16.0
A81	7/8	18.0	25.0	16.0
A81	1-1/8	29.0	40.0	25.0
A81	1-3/8	41.0	55.0	35.0
A82	1-5/8	66.0	88.0	55.0
A82	2-1/8	98.0	130.0	83.0
A82	2-5/8	130.0	173.0	110.0

#### For Discharge Regulator Applications (Fig. 2)

Conditions: 5 psi Pressure Drop

Type	Effective Port (in.)	U.S. Capacity in Tons		
		R-12	R-22	R-502
A8A	5/8 Reduced	5.4	7.4	4.6
A8A	5/8 Full	12.0	16.0	10.0
A8A	7/8	18.0	25.0	16.0
A81	7/8	18.0	25.0	16.0
A81	1-1/8	29.0	40.0	25.0
A81	1-3/8	41.0	55.0	35.0
A82	1-5/8	66.0	88.0	55.0
A82	2-1/8	98.0	130.0	83.0
A82	2-5/8	130.0	173.0	110.0

#### For Conductor Bypass Regulator Applications (Fig. 1 and 2)

Conditions: 0° F Ambient 10 psi Pressure Drop

Type	Effective Port (in.)	U.S. Capacity in Tons		
		R-12	R-22	R-502
A9	5/8 Reduced	3.0	4.7	2.8
A9	5/8 Full	9.0	14.0	8.4
A9	7/8	13.0	20.0	12.0
A9	1-1/8	14.0	22.0	13.0

#### For Alternate Condenser Bypass Regulator (Range "A" Only) Applications (Fig. 1 and 2)

Conditions: 0° F Ambient 10 psi Pressure Drop

Type	Effective Port (in.)	U.S. Capacity in Tons		
		R-12	R-22	R-502
A8AL	5/8 Reduced	7.9	12.0	7.5
A8AL	5/8 Full	17.0	27.0	13.0
A8AL	7/8	27.0	42.0	26.0
A81L	7/8	27.0	42.0	26.0
A81L	1-1/8	43.0	66.0	40.0
A81L	1-3/8	60.0	93.0	56.0
A82L	1-5/8	95.0	147.0	90.0
A82L	2-1/8	143.0	221.0	135.0
A82L	2-5/8	190.0	292.0	180.0

# Refrigeration

## PARKER - PRESSURE REGULATORS A8 FLO-CON COMPACT WIDE-RANGE PRESSURE REGULATORS

PART NO	Type	Port Size (in)	Connection (in)	Range	Wt (lb)
101997	A8A	5/8	5/8	A	7
101706	A8A	5/8	5/8	A/D	7
101703	A8A	5/8	5/8	A/D (45% Cap.)	7
101707	A8A	5/8	7/8	A/D	7
101704	A8A	5/8	7/8	A/D (45% Cap.)	7
101711	A8A	7/8	7/8	A/D	7
101708	A8A	5/8	1-1/8	A/D	7
101705	A8A	5/8	1-1/8	A/D (45% Cap.)	7
101712	A8A	7/8	1-1/8	A/D	7
101709	A81	5/8	1-1/8	A/D	8.5
101713	A81	7/8	1-1/8	A/D	8.5
101716	A81	1-1/8	1-1/8	A/D	8.5
101720	A81	1-3/8	1-1/8	A/D	8.5
101710	A81	5/8	1-3/8	A/D	8.5
103155	A81	5/8	1-3/8	A/D (45% Cap.)	8.5
101714	A81	7/8	1-3/8	A/D	8.5
101717	A81	1-1/8	1-3/8	A/D	8.5
101721	A81	1-3/8	1-3/8	A/D	8.5
101715	A81	7/8	1-5/8	A/D	8.5
101718	A81	1-1/8	1-5/8	A/D	8.5
101722	A81	1-3/8	1-5/8	A/D	8.5
103041	A81	7/8	2-1/8	A/D	8.5
101719	A81	1-1/8	2-1/8	A/D	8.5
101723	A81	1-3/8	2-1/8	A/D	8.5
102920	A82	1-5/8	1-5/8	A/D	16.3
102921	A82	2-1/8	1-5/8	A/D	16.3
102921	A82	2-5/8	1-5/8	A/D	16.3
102922	A82	2-5/8	1-5/8	A/D	16.3
102923	A82	1-5/8	2-1/8	A/D	16.3
102924	A82	2-1/8	2-1/8	A/D	16.3
102925	A82	2-5/8	2-1/8	A/D	16.3
103282	A82	1-5/8	2-5/8	A/D	16.3
102927	A82	2-1/8	2-5/8	A/D	16.3
102928	A82	2-5/8	2-5/8	A/D	16.3

Standard Range A/D (10Hg to: A8A 7/8 in. x 1-1/8 in.

To order: Specify type, port and connection sizes. Example: A8A 7/8 in. x 1-in.

Compressors,  
Chillers, Condensers

Motors

Electrical

Heating  
Components

Indoor Air  
Quality

Thermostats

Oils &  
Chemicals

Accessories, Supplies  
& Commodities

Tools &  
Instruments

Refrigeration

# Refrigeration PARKER - PRESSURE REGULATORS A8 FLO-CON

## COMPACT WIDE-RANGE PRESSURE REGULATORS — WITH ELECTRIC SHUT-OFF FEATURE

PART NO	Type	Port Size (in)	Connection (in)	Range	Wt (lb)
101769	A8AS	5/8	5/8	A/D	8.8
101766	A8AS	5/8	5/8	A/D (45% Cap.)	8.8
101770	A8AS	5/8	7/8	A/D	8.8
101767	A8AS	5/8	7/8	A/D (45% Cap.)	8.8
101774	A8AS	7/8	7/8	A/D	8.8
101771	A8AS	5/8	1-1/8	A/D	8.8
101768	A8AS	5/8	1-1/8	A/D (45% Cap.)	8.8
101775	A8AS	7/8	1-1/8	A/D	8.8
101772	A81S	5/8	1-1/8	A/D	10.3
101776	A81S	7/8	1-1/8	A/D	10.3
101779	A81S	1-1/8	1-1/8	A/D	10.3
101783	A81S	1-3/8	1-1/8	A/D	10.3
101773	A81S	5/8	1-3/8	A/D	10.3
101777	A81S	7/8	1-3/8	A/D	10.3
101780	A81S	1-1/8	1-3/8	A/D	10.3
101784	A81S	1-3/8	1-3/8	A/D	10.3
101778	A81S	7/8	1-5/8	A/D	10.3
101781	A81S	1-1/8	1-5/8	A/D	10.3
101785	A81S	1-3/8	1-5/8	A/D	10.3
101782	A81S	1-1/8	2-1/8	A/D	10.3
101786	A81S	1-3/8	2-1/8	A/D	10.3
102934	A82S	1-5/8	1-5/8	A/D	16.5
102936	A82S	2-1/8	1-5/8	A/D	16.5
102939	A82S	2-5/8	1-5/8	A/D	16.5
102935	A82S	1-5/8	2-1/8	A/D	16.5
102937	A82S	2-1/8	2-1/8	A/D	16.5
102940	A82S	2-5/8	2-1/8	A/D	16.5
103286	A82S	1-5/8	2-5/8	A/D	16.5
102938	A82S	2-1/8	2-5/8	A/D	16.5
102941	AB2S	2-5/8	2-5/8	A/D	16.5

"S" feature — Regulating when energized; closed when de-energized. Standard Range A/D (10 Hg to 400 psig).

To order: Specify type, port and connection sizes and voltage. Example: A82S 2-1/8 in. x 2-1/8 in. 120 V, 60 Hz.

Standard coil voltages: 24, 120, 208, 240 Volt, 60 Hertz. 110, 220 Volt, 50 Hertz.

## COMPACT WIDE-RANGE PRESSURE REGULATORS — LESS COIL — WITH WIDE OPENING FEATURE

PART NO	Type	Port Size (in)	Connection (in)	Range	Wt (lb)
101727	A8AB	5/8	5/8	A/D	8.8
101724	A8AB	5/8	5/8	A/D (45% Cap.)	8.8
101728	A8AB	5/8	7/8	A/D	8.8
101725	A8AB	5/8	7/8	A/D (45% Cap.)	8.8
101732	A8AB	7/8	7/8	A/D	8.8
101729	A8AB	5/8	1-1/8	A/D	8.8
101726	A8AB	5/8	1-1/8	A/D (45% Cap.)	8.8
101733	A8AB	7/8	1-1/8	A/D	8.8
101730	A81B	5/8	1-1/8	A/D	10.3
101734	A81B	7/8	1-1/8	A/D	10.3
101737	A81B	1-1/8	1-1/8	A/D	10.3
101741	A81B	1-3/8	1-1/8	A/D	10.3
101731	A81B	5/8	1-3/8	A/D	10.3
101735	A81B	7/8	1-3/8	A/D	10.3
101738	A81B	1-1/8	1-3/8	A/D	10.3
101742	A81B	1-3/8	1-3/8	A/D	10.3
101736	A81B	7/8	1-5/8	A/D	10.3
101739	A81B	1-1/8	1-5/8	A/D	10.3
101743	A81B	1-3/8	1-5/8	A/D	10.3
101740	A81B	1-1/8	2-1/8	A/D	10.3
101744	A81B	1-3/8	2-1/8	A/D	10.3
102942	A82B	1-5/8	1-5/8	A/D	16.5
102945	A82B	2-1/8	1-5/8	A/D	16.5
102944	A82B	2-5/8	1-5/8	A/D	16.5
102943	A82B	1-5/8	2-1/8	A/D	16.5
102946	A82B	2-1/8	2-1/8	A/D	16.5
102948	A82B	2-5/8	2-1/8	A/D	16.5
103283	A82B	1-5/8	2-5/8	A/D	16.5
102947	A82B	2-1/8	2-5/8	A/D	16.5
102949	A82B	2-5/8	2-5/8	A/D	16.5

"B" feature — Wide open when energized, regulating when de-energized. Standard Range A/D (10Hg to 400 psig).

To order: Specify type, port and connection sizes and voltage. Example: A8AB 5/8 in. x 7/8 in. 240 V, 60 Hz.

Standard coil voltages: 24, 120, 208, 240 Volt, 60 Hertz. 110, 220 Volt, 50 Hertz.

# Refrigeration PARKER - PRESSURE REGULATORS A8 FLO-CON

## COMPACT WIDE-RANGE PRESSURE REGULATORS — WITH ELECTRIC SHUT-OFF FEATURE

PART NO	Type	Port Size (in)	Connection (in)	Range
103904	A8ABS	5/8	5/8	A/D
103901	A8ABS	5/8	5/8	A/D (45% Cap.)
103905	A8ABS	5/8	7/8	A/D
103902	A8ABS	5/8	7/8	A/D (45% Cap.)
103909	A8ABS	7/8	7/8	A/D
103906	A8ABS	5/8	1-1/8	A/D
103903	A8ABS	5/8	1-1/8	A/D (45% Cap.)
103910	A8ABS	7/8	1-1/8	A/D
103907	A81BS	5/8	1-1/8	A/D
103911	A81BS	7/8	1-1/8	A/D
103914	A81BS	1-1/8	1-1/8	A/D
103918	A81BS	1-3/8	1-1/8	A/D
103908	A81BS	5/8	1-3/8	A/D
103912	A81BS	7/8	1-3/8	A/D
103915	A81BS	1-1/8	1-3/8	A/D
103919	A81BS	1-3/8	1-3/8	A/D
103913	A81BS	7/8	1-5/8	A/D
103916	A81BS	1-1/8	1-5/8	A/D
103920	A81BS	1-3/8	1-5/8	A/D
103917	A81BS	1-1/8	2-1/8	A/D
103921	A81BS	1-3/8	2-1/8	A/D
104313	A82BS	1-5/8	1-5/8	A/D
104314	A82BS	1-5/8	2-1/8	A/D
104317	A82BS	2-1/8	2-1/8	A/D
104315	A82BS	1-5/8	2-5/8	A/D
104318	A82BS	2-1/8	2-5/8	A/D
104321	AB2BS	2-5/8	2-5/8	A/D

"B" feature — Wide open when energized, regulating when de-energized. "S" feature — Electric shutoff. Standard Range A/D (10 Hg to 400 psig). To order: Specify type, port and connection sizes and voltage. Example: A8ABS 5/8 in. x 7/8 in. 240 V, 60 Hz.

## DIFFERENTIAL PRESSURE REGULATORS

PART NO	Type	Port Size (in)	Connection (in)	Range	Wt (lb)
101953	A8AL	5/8	5/8	A	7.0
101950	A8AL	5/8	5/8	A (45% Cap.)	7.0
101954	A8AL	5/8	7/8	A	7.0
101951	A8AL	5/8	7/8	A (45% Cap.)	7.0
101958	A8AL	7/8	7/8	A	7.0
101955	A8AL	5/8	1-1/8	A	7.0
101952	A8AL	5/8	1-1/8	A (45% Cap.)	7.0
101959	A8AL	7/8	1-1/8	A	7.0
101956	A81L	5/8	1-1/8	A	8.5
101960	A81L	7/8	1-1/8	A	8.5
101963	A81L	1-1/8	1-1/8	A	8.5
101967	A81L	1-3/8	1-1/8	A	8.5
101957	A81L	5/8	1-3/8	A	8.5
101961	A81L	7/8	1-3/8	A	8.5
101964	A81L	1-1/8	1-3/8	A	8.5
101968	A81L	1-3/8	1-3/8	A	8.5
101962	A81L	7/8	1-5/8	A	8.5
101965	A81L	1-1/8	1-5/8	A	8.5
101969	A81L	1-3/8	1-5/8	A	8.5
102101	A81L	7/8	2-1/8	A	8.5
101966	A81L	1-1/8	2-1/8	A	8.5
101970	A81L	1-3/8	2-1/8	A	8.5
102950	A82L	1-5/8	1-5/8	A	17.6
102953	A82L	2-1/8	1-5/8	A	17.6
102952	A82L	2-5/8	1-5/8	A	17.6
102951	A82L	1-5/8	2-1/8	A	17.6
102954	A82L	2-1/8	2-1/8	A	17.6
102956	A82L	2-5/8	2-1/8	A	17.6
103285	A82L	1-5/8	2-5/8	A	17.6
102955	A82L	2-1/8	2-5/8	A	17.6
102957	A82L	2-5/8	2-5/8	--	17.6

L" feature — Maintains a set pressure difference between inlet and outlet. Standard Range A (0 - 90 psig). To order: Specify type, port and connection sizes and voltage. Example: A81L 1-1/8 in. x 1-1/8.

# Refrigeration

Compressors, Chillers, Condensers  
 Motors  
 Electrical  
 Heating Components  
 Indoor Air Quality  
 Thermostats  
 Oils & Chemicals  
 Accessories, Supplies & Commodities  
 Tools & Instruments  
 Refrigeration

## PARKER - PRESSURE REGULATORS A8 FLO-CON DIFFERENTIAL PRESSURE REGULATORS — LESS COIL — WITH WIDE OPENING FEATURE

PART NO	Type	Port Size (in)	Connection (in)	Range	Wt (lb)
101748	A8ABL	5/8	5/8	A	8.8
101745	A8ABL	5/8	5/8	A (45% Cap.)	8.8
101749	A8ABL	5/8	7/8	A	8.8
101746	A8ABL	5/8	7/8	A (45% Cap.)	8.8
101753	A8ABL	7/8	7/8	A	8.8
101750	A8ABL	5/8	1-1/8	A	8.8
101747	A8ABL	5/8	1-1/8	A (45% Cap.)	8.8
101754	A8ABL	7/8	1-1/8	A	8.8
101751	A81BL	5/8	1-1/8	A	10.3
101755	A81BL	7/8	1-1/8	A	10.3
101758	A81BL	1-1/8	1-1/8	A	10.3
101762	A81BL	1-3/8	1-1/8	A	10.3
101752	A81BL	5/8	1-3/8	A	10.3
101756	A81BL	7/8	1-3/8	A	10.3
101759	A81BL	1-1/8	1-3/8	A	10.3
101763	A81BL	1-3/8	1-3/8	A	10.3
101757	A81BL	7/8	1-5/8	A	10.3
101760	A81BL	1-1/8	1-5/8	A	10.3
101764	A81BL	1-3/8	1-5/8	A	10.3
102099	A81BL	7/8	2-1/8	A	10.3
101761	A81BL	1-1/8	2-1/8	A	10.3
101765	A81BL	1-3/8	2-1/8	A	10.3
102958	A82BL	1-5/8	1-5/8	A	17.8
102961	A82BL	2-1/8	1-5/8	A	17.8
102960	A82BI	2-5/8	1-5/8	A	17.8
102959	A82BL	1-5/8	2-1/8	A	17.8
102962	A82BL	2-1/8	2-1/8	A	17.8
102964	A82BL	2-5/8	2-1/8	A	17.8
103284	A82BL	1-5/8	2-5/8	A	17.8
102963	A82BL	2-1/8	2-5/8	A	17.8
102965	A82BL	2-5/8	2-5/8	A	17.8

“BL” feature —Wide open when energized, regulating pressure differential when de-energized.

Standard Range A (0 - 90 psig).

To order: Specify type, port and connection sizes and voltage.

Example: A82BL 2-1/8 in. x 2-1/8 in. 208 V, 60 Hz.

Standard coil voltages: 24, 120, 208, 240 Volt, 60 Hertz. 110, 220 Volt, 50 Hertz.



## PARKER - PRESSURE REGULATORS A8 FLO-CON CRANKCASE OUTLET PRESSURE REGULATORS

PART NO	Type	Port Size (in)	Connection (in)	Range	Wt (lb)
101895	A8AOE	5/8	5/8	A/D	7
101892	A8AOE	5/8	5/8	A/D (45% Cap.)	7
101896	A8AOE	5/8	7/8	A/D	7
101893	A8AOE	5/8	7/8	A/D (45% Cap.)	7
101900	A8AOE	7/8	7/8	A/D	7
101897	A8AOE	5/8	1-1/8	A/D	7
101894	A8AOE	5/8	1-1/8	A/D (45% Cap.)	7
101901	A8AOE	7/8	1-1/8	A/D	7
101898	A81OE	5/8	1-1/8	A/D	8.5
101902	A81OE	7/8	1-1/8	A/D	8.5
101905	A81OE	1-1/8	1-1/8	A/D	8.5
101909	A81OE	1-3/8	1-1/8	A/D	8.5
101899	A81OE	5/8	1-3/8	A/D	8.5
101903	A81OE	7/8	1-3/8	A/D	8.5
101906	A81OE	1-1/8	1-3/8	A/D	8.5
101910	A81OE	1-3/8	1-3/8	A/D	8.5
101984	A81OE	5/8	1-5/8	A/D	8.5
101983	A81OE	5/8	1-5/8	A/D (45% Cap.)	8.5
101904	A81OE	7/8	1-5/8	A/D	8.5
101907	A81OE	1-1/8	1-5/8	A/D	8.5
101911	A81OE	1-3/8	1-5/8	A/D	8.5
102661	A81OE	5/8	2-1/8	A/D	8.5
105760	A81OE	7/8	2-1/8	A/D	8.5
101908	A81OE	1-1/8	2-1/8	A/D	8.5
101912	A81OE	1-3/8	2-1/8	A/D	8.5
102966	A82OE	1-5/8	1-5/8	A/D	16.9
102970	A82OE	2-1/8	1-5/8	A/D	16.9
103275	A82OE	1-5/8	2-1/8	A/D	16.9
102969	A82OE	2-1/8	2-1/8	A/D	16.9
103276	A82OE	1-5/8	2-5/8	A/D	16.9
103270	A82OE	2-1/8	2-5/8	A/D	16.9

“O” feature - Regulates outlet pressure.

To order: Specify type, port, connection sizes, & voltage.

Standard Range A/D (10Hg to 400 psig) Example: A8AOE 5/8 in. x 7/8 in.

### CRANKCASE (OUTLET) PRESSURE REGULATORS — WITH ELECTRIC SHUTOFF FEATURE

PART NO	Type	Port Size (in)	Connection (in)	Range	Wt (lb)
101832	A8AOES	5/8	5/8	A/D	8.8
101829	A8AOES	5/8	5/8	A/D (45% Cap.)	8.8
101833	A8AOES	5/8	7/8	A/D	8.8
101830	A8AOES	5/8	7/8	A/D (45% Cap.)	8.8
101837	A8AOES	7/8	7/8	A/D	8.8
101834	A8AOES	5/8	1-1/8	A/D	8.8
101831	A8AOES	5/8	1-1/8	A/D (45% Cap.)	8.8
101838	A8AOES	7/8	1-1/8	A/D	8.8
101835	A81OES	5/8	1-1/8	A/D	10.3
101839	A81OES	7/8	1-1/8	A/D	10.3
101842	A81OES	1-1/8	1-1/8	A/D	10.3
101846	A81OES	1-3/8	1-1/8	A/D	10.3
101836	A81OES	5/8	1-3/8	A/D	10.3
101840	A81OES	7/8	1-3/8	A/D	10.3
101843	A81OES	1-1/8	1-3/8	A/D	10.3
101847	A81OES	1-03/8	1-3/8	A/D	10.3
101841	A81OES	7/8	1-5/8	A/D	10.3
101844	A81OES	1-1/8	1-5/8	A/D	10.3
101848	A81OES	1-3/8	1-5/8	A/D	10.3
101845	a82oes	1-1/8	2-1/8	a/d	10.3
101849	a81oes	1-3/8	2-1/8	A/D	10.3

“O” feature — Regulates outlet pressure. To order: Specify type, port and connection sizes and voltage.

“A” feature — Electric shutoff.

Example: A81OES 1-3/8 in. x 1-3/8 in.

Standard Range A/D (10 - 400 psig).

Standard coil voltages: 24, 120, 208, 240 Volt, 60 Hz. 110, 220 Volt, 50 Hz.

# Refrigeration

Compressors, Chillers, Condensers  
 Motors  
 Electrical  
 Heating Components  
 Indoor Air Quality  
 Thermostats  
 Oils & Chemicals  
 Accessories, Supplies & Commodities  
 Tools & Instruments  
 Refrigeration

## PARKER - PRESSURE REGULATORS A8 FLO-CON HOT GAS BYPASS REGULATORS

PART NO	Type	Port Size (in)	Connection (in)	Range	Wt (lb)
100912	A9	5/8	5/8	A	3.0
100911	A9	5/8	5/8	A (30% Cap.)	3.0
100916	A9	5/8	5/8	B	3.0
100915	A9	5/8	5/8	B (30% Cap.)	3.0
101622	A9	7/8	5/8	A	3.0
101562	A9	7/8	5/8	B	3.0
103004	A9	1-1/8	5/8	A	3.0
101405	A9	5/8	7/8	A	3.3
103746	A9	5/8	7/8	A (30% Cap.)	3.3
101463	A9	5/8	7/8	B	3.3
102903	A9	5/8	7/8	B (30% Cap.)	3.3
100913	A9	7/8	7/8	A	3.3
100917	A9	7/8	7/8	B	3.3
106421	A9	5/8	1-1/8	A	3.3
101987	A9	5/8	1-1/8	B (30% Cap.)	3.3
101660	A9	7/8	1-1/8	A	3.3
102055	A9	7/8	1-1/8	B	3.3
100914	A9	1-1/8	1-1/8	A	3.3
100918	A9	1-1/8	1-1/8	B	3.3
100931	A9E	5/8	5/8	A	3.0
100930	A9E	5/8	5/8	A (30% Cap.)	3.0
100935	A9E	5/8	5/8	B	3.0
100934	A9E	5/8	5/8	B (30% Cap.)	3.0
101421	A9E	7/8	5/8	A	3.0
103594	A9E	7/8	5/8	B	3.0
101928	A9E	1-1/8	5/8	A	3.0
103293	A9E	1-1/8	5/8	B	3.0
101386	A9E	5/8	7/8	A	3.3
102032	A9E	5/8	7/8	A (30% Cap.)	3.3
102650	A9E	5/8	7/8	B	3.3
100932	A9E	7/8	7/8	A	3.3
100936	A9E	7/8	7/8	B	3.3
101466	A9E	5/8	1-1/8	A	3.3
102810	A9E	5/8	1-1/8	B	3.3
102133	A9E	7/8	1-1/8	A	3.3
100933	A9E	1-1/8	1-1/8	A	3.3
100937	A9E	1-1/8	1-1/8	B	3.3

Standard Range "A" - 10 in. Hg to 120 psig. Optional Range "B" - 80 to 220 psig

To order: Specify type, port, connection, and range.

Example: A9E 5/8 in. x 5/8 in. range A. Range "A" furnished unless otherwise specified.

## HOT GAS BYPASS REGULATORS — LESS COIL — WITH WIDE OPEN FEATURE

PART NO	Type	Port Size (in)	Connection (in)	Range
103115	A9B	5/8	5/8	A
102868	A9B	5/8	5/8	B
103116	A9B	7/8	7/8	A
102869	A9B	7/8	7/8	B
103117	A9B	1-1/8	1-1/8	A
102870	A9B	1-1/8	1-1/8	B

Standard Range "A" - 10 in. Hg to 120 psig. Optional Range "B" - 80 to 220 psig.

To order: Specify type, port, connection, and range.

Example: A9B 5/8 in. x 5/8 in., 120 V, Range "A" furnished unless otherwise specified.

## PARKER - PRESSURE REGULATORS A8 FLO-CON

### HOT GAS BYPASS REGULATORS — LESS COIL — EXPLOSION PROOF WITH ELECTRIC SHUTOFF FEATURE

PART NO	Type	Port Size (in)	Connection (in)	Range
100946	A9SEX	5/8	5/8	A
103795	A9SEX	5/8	5/8	A (30% Cap.)
100949	A9SEX	5/8	5/8	B
100947	A9SEX	7/8	7/8	A
100950	A9SEX	7/8	7/8	B
100948	A9SEX	1-1/8	1-1/8	A
100951	A9SEX	1-1/8	1-1/8	B

Standard Range "A" - 10 in. Hg to 120 psig.

Optional Range "B" - 80 to 220 psig.

To order: Specify type, port, connection, and range.

Example: A9SEX 5/8 in. x 5/8 in. 120 V, Range "A" furnished unless otherwise specified.

### HOT GAS BYPASS REGULATORS — LESS COIL — WITH ELECTRIC SHUTOFF

PART NO	Type	Port Size (in)	Connection (in)	Range	Wt (lb)
100923	A9S	5/8	5/8	A	3.5
100922	A9S	5/8	5/8	A (30% Cap.)	3.5
100927	A9S	5/8	5/8	B	3.5
100926	A9S	5/8	5/8	B (30% Cap.)	3.5
106407	A9S	5/8	7/8	A	3.8
106491	A9S	5/8	7/8	B	3.8
100924	A9S	7/8	7/8	A	3.8
100928	A9S	7/8	7/8	B	3.8
102794	A9S	5/8	1-1/8	A (30% Cap.)	3.8
106408	A9S	7/8	1-1/8	A	3.8
100925	A9S	1-1/8	1-1/8	A	3.8
100929	A9S	1-1/8	1-1/8	B	3.8
100939	A9SE	5/8	5/8	A	3.5
100938	A9SE	5/8	5/8	A (30% Cap.)	3.5
100943	A9SE	5/8	5/8	B	3.5
100942	A9SE	5/8	5/8	B (30% Cap.)	3.5
102893	A9SE	7/8	5/8	A	3.5
101435	A9SE	5/8	7/8	A	3.8
101986	A9SE	5/8	7/8	A (30% Cap.)	3.8
102929	A9SE	5/8	7/8	B	3.8
100940	A9SE	7/8	7/8	A	3.8
100944	A9SE	7/8	7/8	B	3.8
106879	A9SE	5/8	1-1/8	A	3.8
101545	A9SE	7/8	1-1/8	A	3.8
102074	A9SE	7/8	1-1/8	B	3.8
100941	A9SE	1-1/8	1-1/8	A	3.8
100945	A9SE	1-1/8	1-1/8	B	3.8

Standard Range "A" - 10 in. Hg to 120 psig.

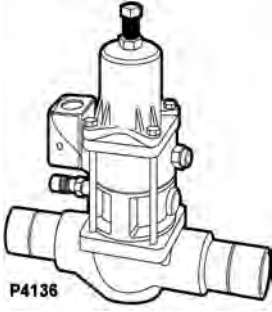
Optional Range "B" - 80 to 220 psig.

To order: Specify type, port, connection, and range.

Example: A9SE 5/8 in. x 5/8 in., 120 V, Range "A" furnished unless otherwise specified.

## PARKER - EVAPORATOR PRESSURE REGULATORS

### PARKER (S)PORT, (S)PORT II



#### FEATURES AND BENEFITS

- Highest capacity commercial regulator in the industry.
- Sweat-in-place without disassembly.
- Interchangeable capacity cartridges.
- Low pressure drop.
- Manual opening stem.
- Variations include electric shut-off along with bypass and shut-off feature.
- (S)PORT-II with corrosion resistant aluminum bronze construction.
- All stainless steel bolts, stem, locking nut, piston and plug.
- Dual voltage 208/240/60 Hz coil.

#### SPECIFICATIONS

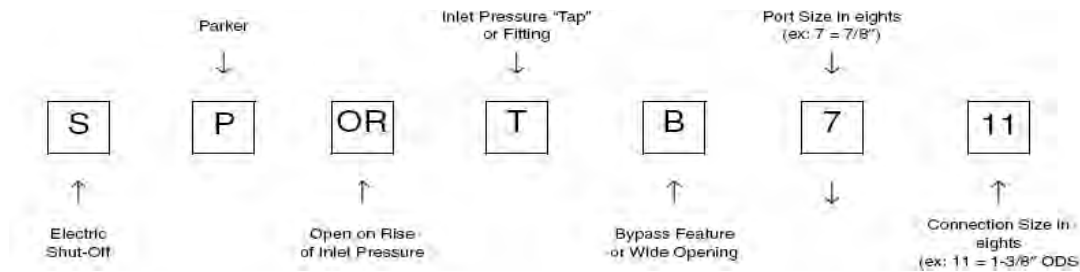
- Design pressure (M.R.P.): 450 psig (31.0 bar).
- Minimum fluid temperature  $-40^{\circ}$  F ( $-40^{\circ}$  C).
- Operating range: 10 in. Hg to 120 psig (250 mm Hg to 8.3 bar).
- UL listed (except 50 Hz versions), file SA5473.
- CSA certified, file LR20991-14.

#### STANDARD VOLTAGES

- 120 V/50 Hz, 110 V/50 Hz.
- 208 V/240 V/50 Hz, 220 V/50 Hz.
- 240 V/50 Hz.
- 240 V/50 Hz, 220 V/50 Hz (DIN).
- 240 V/50 Hz (DIN).

## PARKER - EVAPORATOR PRESSURE REGULATORS

### PARKER (S)PORT, (S)PORT II



Available Port Sizes: 3/8", 5/8", 7/8", 1-1/8", 1-3/8", 1-5/8", 2-1/8", 2-5/8"

Available Connection Sizes: 7/8", 1-1/8", 1-3/8", 1-5/8", 2-1/8", 2-5/8"

Coil Voltages: (24/60 24/50) (120/60 110/50) (240/60 220/50) (480/60 440/50)

#### Selection Procedure

This brochure has been developed for easy sizing and selection of the (S)PORT valve. Valve operation and parts information is available in the (S)PORT product Bulletin 26-01. Selecting the proper port size EPR valve is relatively easy when using the capacity tables. Certain basic information must be known and some specific steps should be followed to ensure accurate port size selection. The following guidelines have been provided to help make the selection process simple.

#### Specific operating conditions need to be known:

1. What is the refrigerant being used?
2. What is the medium flowing through the valve? (Suction vapor, hot gas, sub-cooled liquid, etc.).
3. How much is flowing through the valve? (Tons, btu/hr, MBH).
4. What is the valve inlet pressure or temperature?
5. What is the valve outlet pressure or temperature?
6. What is the liquid temperature to the evaporator?

Once the preceding information is known, a selection from the capacity table can be made.

#### (S)PORT Selection Table R-404A Low Temperature

Effective Port Size (in.) (Port size designation in model #)		3/8 (3)	5/8 (5)	7/8 (7)	1-1/8 (9)	1-3/8 (11)	1-5/8 (13)	2-1/8 (17)
Compr. Rack Suction Temp (°F)	Case Evap Temp (°F)	Valve Capacities — MBH						
-10	+20	27.00	59.40	91.80	145.8	203.4	324.0	486.0
	+15	23.07	50.76	78.45	124.6	173.8	276.9	415.3
	+10	19.33	42.52	65.71	104.4	145.6	231.9	347.9
	+5	15.67	34.48	53.29	84.6	118.1	188.1	282.1
	0	11.99	26.38	40.77	64.8	90.3	143.9	215.9
	-10	2.60	5.72	8.83	14.0	19.6	31.2	46.8
-20	+20	25.69	56.52	87.35	138.7	193.5	308.3	462.4
	+10	21.88	48.13	74.39	118.1	164.8	262.5	393.8
	0	15.56	34.24	52.92	84.0	117.2	186.8	280.1
	-10	9.59	21.09	32.60	51.8	72.2	115.0	172.6
	-15	6.33	13.92	21.51	34.2	47.7	75.9	113.9
	-20	2.24	4.94	7.63	12.1	16.9	26.9	40.4
-25	+10	20.57	45.24	69.92	111.1	154.9	246.8	370.2
	0	16.70	36.73	56.77	90.2	125.8	200.4	300.5
	-10	11.23	24.70	38.17	60.6	84.6	134.7	202.1
	-15	8.54	18.79	29.03	46.1	64.3	102.5	153.7
	-20	5.63	12.38	19.13	30.4	42.4	67.5	101.3
	-25	2.08	4.58	7.08	11.2	15.7	25.0	37.5
-30	+10	20.57	45.24	69.92	111.1	154.9	246.8	370.2
	0	16.31	35.87	55.44	88.1	122.8	195.7	293.5
	-10	12.40	27.29	42.17	67.0	93.4	148.8	223.2
	-20	7.58	16.67	25.76	40.9	57.1	90.9	136.4
	-25	4.99	10.97	16.95	26.9	37.6	59.8	89.7
	-30	1.93	4.24	6.55	10.4	14.5	23.1	34.7
-40	0	16.30	35.87	55.44	88.1	122.8	195.7	293.5
	-10	12.79	28.13	43.47	69.0	96.3	153.4	230.1
	-20	9.75	21.46	33.17	52.7	73.5	117.1	175.6
	-25	7.83	17.23	26.62	42.3	59.0	94.0	140.9
	-30	5.92	13.02	20.12	32.0	44.6	71.0	106.5
	-35	3.88	8.53	13.18	20.9	29.2	46.5	69.8
-40	1.64	3.60	5.57	8.8	12.3	19.6	29.5	

NOTE: Capacities are based on 100° F liquid, saturated evaporator and 10° F superheat at valve inlet (per ARI 770-84). For each 10° F liquid is below 100° F, INCREASE capacity values by 6%.

# Refrigeration

Compressors, Chillers, Condensers  
 Motors  
 Electrical  
 Heating Components  
 Indoor Air Quality  
 Thermostats  
 Oils & Chemicals  
 Accessories, Supplies & Commodities  
 Tools & Instruments  
 Refrigeration

## PARKER - REGULATORS FLO-CON (S)PORT, (S)PORT II EVAPORATOR PRESSURE REGULATORS (Ductile Iron Body)

PART NO	MODEL NO	Type	Port Size (in)	Connection (in)	Range	Wt (lb)
107489	PORT 03 - 05	PORT	3/8	5/8	A	7.6
107491	PORT 05 - 05	PORT	5/8	5/8	A	7.6
103626	PORT 03 - 07	PORT	3/8	7/8	A	7.6
103627	PORT 05 - 07	PORT	5/8	7/8	A	7.6
103628	PORT 07 - 07	PORT	7/8	7/8	A	7.6
103629	PORT 09 - 07	PORT	1-1/8	7/8	A	7.6
103606	PORT 03 - 09	PORT	3/8	1-1/8	A	7.6
103563	PORT 05 - 09	PORT	5/8	1-1/8	A	7.6
103565	PORT 07 - 09	PORT	7/8	1-1/8	A	7.6
103568	PORT 09 - 09	PORT	1-1/8	1-1/8	A	7.6
103572	PORT 11 - 09	PORT	1-3/8	1-1/8	A	7.6
103607	PORT 03 - 11	PORT	3/8	1-3/8	A	7.6
103564	PORT 05 - 11	PORT	5/8	1-3/8	A	7.6
103566	PORT 07 - 11	PORT	7/8	1-3/8	A	7.6
103569	PORT 09 - 11	PORT	1-1/8	1-3/8	A	7.6
103573	PORT 11 - 11	PORT	1-3/8	1-3/8	A	7.6
103608	PORT 03 - 13	PORT	3/8	1-5/8	A	8.3
103610	PORT 05 - 13	PORT	5/8	1-5/8	A	8.3
103567	PORT 07 - 13	PORT	7/8	1-5/8	A	8.3
103570	PORT 09 - 13	PORT	1-1/8	1-5/8	A	8.3
103574	PORT 11 - 13	PORT	1-3/8	1-5/8	A	8.3
103832	PORT 13 - 13	PORT	1-5/8	1-5/8	A	8.3
103835	PORT 17 - 13	PORT	2-1/8	1-5/8	A	8.3
103838	PORT 21 - 13	PORT	2-5/8	1-5/8	A	8.3
103609	PORT 03 - 17	PORT	3/8	2-1/8	A	8.3
103611	PORT 05 - 17	PORT	5/8	2-1/8	A	8.3
103612	PORT 07 - 17	PORT	7/8	2-1/8	A	8.3
103571	PORT 09 - 17	PORT	1-1/8	2-1/8	A	8.3
103575	PORT 11 - 17	PORT	1-3/8	2-1/8	A	8.3
103833	PORT 13 - 17	PORT	1-5/8	2-1/8	A	14.9
103836	PORT 17 - 17	PORT	2-1/8	2-1/8	A	14.9
103839	PORT 21 - 17	PORT	2-5/8	2-1/8	A	14.9
103834	PORT 13 - 21	PORT	1-5/8	2-5/8	A	17.2
103837	PORT 17 - 21	PORT	2-1/8	2-5/8	A	17.2
103840	PORT 21 - 21	PORT	2-5/8	2-5/8	A	17.2

## EVAPORATOR PRESSURE REGULATORS (Ductile Iron Body) — WITH WIDE OPEN FEATURE

PART NO	MODEL NO	Type	Port Size (in)	Connection (in)	Range	Wt (lb)
106609	PORT B 13 - 13	PORT B	1-5/8	1-5/8	A	8.9
106719	PORT B 17 - 17	PORT B	2-1/8	2-1/8	A	15.5
106885	PORT B 21 - 21	PORT B	2-5/8	2-5/8	A	17.8

Standard Range — 10 in. Hg to 120 psig.

To order: Specify type, port size, and connection size, or part number, or model number.

# Refrigeration

## PARKER - REGULATORS FLO-CON (S)PORT, (S)PORT II EVAPORATOR PRESSURE REGULATORS (Aluminum Bronze Body)

PART NO	MODEL NO	Type	Port Size (in)	Connection (in)	Range	Wt (lb)
104572	PORT II 03 - 07	PORT II	3/8	7/8	A	7.6
104577	PORT II 05 - 07	PORT II	5/8	7/8	A	7.6
104582	PORT II 07 - 07	PORT II	7/8	7/8	A	7.6
104587	PORT II 09 - 07	PORT II	1-1/8	7/8	A	7.6
104573	PORT II 03 - 09	PORT II	3/8	1-1/8	A	7.6
104578	PORT II 05 - 09	PORT II	5/8	1-1/8	A	7.6
104583	PORT II 07 - 09	PORT II	7/8	1-1/8	A	7.6
104588	PORT II 09 - 09	PORT II	1-1/8	1-1/8	A	7.6
104592	PORT II 11 - 09	PORT II	1-3/8	1-1/8	A	7.6
104574	PORT II 03 - 11	PORT II	3/8	1-3/8	A	7.6
104579	PORT II 05 - 11	PORT II	5/8	1-3/8	A	7.6
104584	PORT II 07 - 11	PORT II	7/8	1-3/8	A	7.6
104589	PORT II 09 - 11	PORT II	1-1/8	1-3/8	A	7.6
104593	PORT II 11 - 11	PORT II	1-3/8	1-3/8	A	7.6
104575	PORT II 03 - 13	PORT II	3/8	1-5/8	A	8.3
104580	PORT II 05 - 13	PORT II	5/8	1-5/8	A	8.3
104585	PORT II 07 - 13	PORT II	7/8	1-5/8	A	8.3
104590	PORT II 09 - 13	PORT II	1-1/8	1-5/8	A	8.3
104594	PORT II 11 - 13	PORT II	1-3/8	1-5/8	A	8.3
104576	PORT II 03 - 17	PORT II	3/8	2-1/8	A	8.3
104581	PORT II 05 - 17	PORT II	5/8	2-1/8	A	8.3
104586	PORT II 07 - 17	PORT II	7/8	2-1/8	A	8.3
104591	PORT II 09 - 17	PORT II	1-1/8	2-1/8	A	8.3
104595	PORT II 11 - 17	PORT II	1-3/8	2-1/8	A	8.3

Standard Range — 10 in. Hg to 120 psig.

To order: Specify type, port size, and connection size, or part number, or model number.

## EVAPORATOR PRESSURE REGULATORS (Aluminum Bronze Body) — WITH WIDE OPEN FEATURE

PART NO	MODEL NO	Type	Port Size (in)	Connection (in)	Range	Wt (lb)
106608	PORT II B 03 - 07	PORT II B	3/8	7/8	A	8.9

Standard Range — 10 in. Hg to 120 psig.

To order: Specify type, port size, and connection size, or part number, or model number.

Compressors,  
Chillers, Condensers

Motors

Electrical

Heating  
Components

Indoor Air  
Quality

Thermostats

Oils &  
Chemicals

Accessories, Supplies  
& Commodities

Tools &  
Instruments

Refrigeration

# Refrigeration

Compressors, Chillers, Condensers  
 Motors  
 Electrical  
 Heating Components  
 Indoor Air Quality  
 Thermostats  
 Oils & Chemicals  
 Accessories, Supplies & Commodities  
 Tools & Instruments  
 Refrigeration

## PARKER - REGULATORS FLO-CON (S)PORT, (S)PORT II EVAPORATOR PRESSURE REGULATORS (Ductile Iron Body) — WITH ELECTRIC SHUTOFF

PART NO	MODEL NO	Type	Port Size (in)	Connection (in)	Range	Wt (lb)
107494	SPORT 03 - 06	SPORT	3/8	5/8	A	8.2
107496	SPORT 05 - 05	SPORT	5/8	5/8	A	8.2
103622	SPORT 03 - 07	SPORT	3/8	7/8	A	8.2
103623	SPORT 05 - 07	SPORT	5/8	7/8	A	8.2
103624	SPORT 07 - 07	SPORT	7/8	7/8	A	8.2
103625	SPORT 09 - 07	SPORT	1-1/8	7/8	A	8.2
103599	SPORT 03 - 09	SPORT	3/8	1-1/8	A	8.2
103550	SPORT 05 - 09	SPORT	5/8	1-1/8	A	8.2
103552	SPORT 07 - 09	SPORT	7/8	1-1/8	A	8.2
103555	SPORT 09 - 09	SPORT	1-1/8	1-1/8	A	8.2
103559	SPORT 11 - 09	SPORT	1-3/8	1-1/8	A	8.2
103600	SPORT 03 - 11	SPORT	3/8	1-3/8	A	8.2
103551	SPORT 05 - 11	SPORT	5/8	1-3/8	A	8.2
103553	SPORT 07 - 11	SPORT	7/8	1-3/8	A	8.2
103556	SPORT 09 - 11	SPORT	1-1/8	1-3/8	A	8.2
103560	SPORT 11 - 11	SPORT	1-3/8	1-3/8	A	8.2
103601	SPORT 03 - 13	SPORT	3/8	1-5/8	A	8.3
103603	SPORT 05 - 13	SPORT	5/8	1-5/8	A	8.3
103554	SPORT 07 - 13	SPORT	7/8	1-5/8	A	8.3
103557	SPORT 09 - 13	SPORT	1-1/8	1-5/8	A	8.3
103561	SPORT 11 - 13	SPORT	1-3/8	1-5/8	A	8.3
103841	SPORT 13 - 13	SPORT	1-5/8	1-5/8	A	8.3
103844	SPORT 17 - 13	SPORT	2-1/8	1-5/8	A	8.3
103847	SPORT 21 - 13	SPORT	2-5/8	1-5/8	A	8.3
103602	SPORT 03 - 17	SPORT	3/8	2-1/8	A	8.3
103604	SPORT 05 - 17	SPORT	5/8	2-1/8	A	8.3
103605	SPORT 07 - 17	SPORT	7/8	2-1/8	A	8.3
103558	SPORT 09 - 17	SPORT	1-1/8	2-1/8	A	8.3
103562	SPORT 11 - 17	SPORT	1-3/8	2-1/8	A	8.3
103842	SPORT 13 - 17	SPORT	1-5/8	2-1/8	A	14.9
103845	SPORT 17 - 17	SPORT	2-1/8	2-1/8	A	14.9
103848	SPORT 21 - 17	SPORT	2-5/8	2-1/8	A	14.9
103843	SPORT 13 - 21	SPORT	1-5/8	2-5/8	A	17.2
103846	SPORT 17 - 21	SPORT	2-1/8	2-5/8	A	17.2
103849	SPORT 21 - 21	SPORT	2-5/8	2-5/8	A	17.2

Standard Range — 10 in. Hg to 120 psig.

To order: Specify type, port size, connection size and voltage.



# Refrigeration

## PARKER - REGULATORS FLO-CON (S)PORT, (S)PORT II EVAPORATOR PRESSURE REGULATORS (Ductile Iron Body) — LESS COILS — WITH ELECTRIC SHUTOFF AND WIDE OPEN FEATURE

PART NO	MODEL NO	Type	Port Size (in)	Connection (in)	Range
107499	SPORT B 03 - 06	SPORT B	3/8	5/8	A
107501	SPORT B 05 - 05	SPORT B	5/8	5/8	A
103630	SPORT B 03 - 07	SPORT B	3/8	7/8	A
103631	SPORT B 05 - 07	SPORT B	5/8	7/8	A
103632	SPORT B 07 - 07	SPORT B	7/8	7/8	A
103633	SPORT B 09 - 07	SPORT B	1-1/8	7/8	A
103613	SPORT B 03 - 09	SPORT B	3/8	1-1/8	A
103576	SPORT B 05 - 09	SPORT B	5/8	1-1/8	A
103578	SPORT B 07 - 09	SPORT B	7/8	1-1/8	A
103581	SPORT B 09 - 09	SPORT B	1-1/8	1-1/8	A
103585	SPORT B 11 - 09	SPORT B	1-3/8	1-1/8	A
103614	SPORT B 03 - 11	SPORT B	3/8	1-3/8	A
103577	SPORT B 05 - 11	SPORT B	5/8	1-3/8	A
103579	SPORT B 07 - 11	SPORT B	7/8	1-3/8	A
103582	SPORT B 09 - 11	SPORT B	1-1/8	1-3/8	A
103586	SPORT B 11 - 11	SPORT B	1-3/8	1-3/8	A
103615	SPORT B 03 - 13	SPORT B	3/8	1-5/8	A
103617	SPORT B 05 - 13	SPORT B	5/8	1-5/8	A
103580	SPORT B 07 - 13	SPORT B	7/8	1-5/8	A
103583	SPORT B 09 - 13	SPORT B	1-1/8	1-5/8	A
103587	SPORT B 11 - 13	SPORT B	1-3/8	1-5/8	A
103850	SPORT B 13 - 13	SPORT B	1-5/8	1-5/8	A
103853	SPORT B 17 - 13	SPORT B	2-1/8	1-5/8	A
103856	SPORT B 21 - 13	SPORT B	2-5/8	1-5/8	A
103616	SPORT B 03 - 17	SPORT B	3/8	2-1/8	A
103618	SPORT B 05 - 17	SPORT B	5/8	2-1/8	A
103619	SPORT B 07 - 17	SPORT B	7/8	2-1/8	A
103584	SPORT B 09 - 17	SPORT B	1-1/8	2-1/8	A
103851	SPORT B 13 - 17	SPORT B	1-5/8	2-1/8	A
103854	SPORT B 17 - 17	SPORT B	2-1/8	2-1/8	A
103857	SPORT B 21 - 17	SPORT B	2-5/8	2-1/8	A
103852	SPORT B 13 - 21	SPORT B	1-5/8	2-5/8	A
103855	SPORT B 17 - 21	SPORT B	2-1/8	2-5/8	A
103858	SPORT B 21 - 21	SPORT B	2-5/8	2-5/8	A

Standard Range — 10 in. Hg to 120 psig.

To order: Specify type, port size, connection size and voltage.

Compressors,  
Chillers, Condensers

Motors

Electrical

Heating  
Components

Indoor Air  
Quality

Thermostats

Oils &  
Chemicals

Tools &  
Instruments  
Accessories, Supplies  
& Commodities

Refrigeration

# Refrigeration

Compressors, Chillers, Condensers  
 Motors  
 Electrical  
 Heating Components  
 Indoor Air Quality  
 Thermostats  
 Oils & Chemicals  
 Accessories, Supplies & Commodities  
 Tools & Instruments  
 Refrigeration

## PARKER - REGULATORS FLO-CON (S)PORT, (S)PORT II EVAPORATOR PREPSSURE REGULATORS (Aluminum Bronze Body) — WITH ELECTRIC SHUTOFF AND WIDE OPEN FEATURE

PART NO	MODEL NO	Type	Port Size (in)	Connection (in)	Range
104548	SPORT II 03 - 07	SPORT II	3/8	7/8	A
104553	SPORT 05 - 07	SPORT II	5/8	7/8	A
104558	SPORT 07 - 07	SPORT II	7/8	7/8	A
104563	SPORT 09 - 07	SPORT II	1-1/8	7/8	A
104549	SPORT 03 - 09	SPORT II	3/8	1-1/8	A
104554	SPORT 05 - 09	SPORT II	5/8	1-1/8	A
104559	SPORT 07 - 09	SPORT II	7/8	1-1/8	A
104564	SPORT 09 - 09	SPORT II	1-1/8	1-1/8	A
104568	SPORT 11 - 09	SPORT II	1-3/8	1-1/8	A
104550	SPORT 03 - 11	SPORT II	3/8	1-3/8	A
104555	SPORT 05 - 11	SPORT II	5/8	1-3/8	A
104560	SPORT 07 - 11	SPORT II	7/8	1-3/8	A
104565	SPORT 09 - 11	SPORT II	1-1/8	1-3/8	A
104569	SPORT 11 - 11	SPORT II	1-3/8	1-3/8	A
104551	SPORT 03 - 13	SPORT II	3/8	1-5/8	A
104556	SPORT 05 - 13	SPORT II	5/8	1-5/8	A
104561	SPORT 07 - 13	SPORT II	7/8	1-5/8	A
104566	SPORT 09 - 13	SPORT II	1-1/8	1-5/8	A
104570	SPORT 11 - 13	SPORT II	1-3/8	1-5/8	A
104552	SPORT 03 - 13	SPORT II	3/8	2-1/8	A
104557	SPORT 05 - 13	SPORT II	5/8	2-1/8	A
104562	SPORT 07 - 13	SPORT II	7/8	2-1/8	A
104567	SPORT 09 - 17	SPORT II	1-1/8	2-1/8	A
104571	SPORT 11 - 17	SPORT II	1-3/8	2-1/8	A

Standard Range — 10 in. Hg to 120 psig.  
 To order: Specify type, port size, connection size and voltage.

## EVAPORATOR PRESSURE REGULATORS (Ductile Iron Body) — LESS COILS — WITH ELECTRIC SHUTOFF AND WIDE OPEN FEATURE

PART NO	MODEL NO	Type	Port Size (in)	Connection (in)	Range
104596	SPORT II B 03 - 07	SPORT II B	3/8	7/8	A
104601	SPORT II B 05 - 07	SPORT II B	5/8	7/8	A
104606	SPORT II B 07 - 07	SPORT II B	7/8	7/8	A
104611	SPORT II B 09 - 07	SPORT II B	1-1/8	7/8	A
104597	SPORT II B 03 - 09	SPORT II B	3/8	1-1/8	A
104602	SPORT II B 05 - 09	SPORT II B	5/8	1-1/8	A
104607	SPORT II B 07 - 09	SPORT II B	7/8	1-1/8	A
104612	SPORT II B 09 - 09	SPORT II B	1-1/8	1-1/8	A
104616	SPORT II B 11 - 09	SPORT II B	1-3/8	1-1/8	A
104598	SPORT II B 03 - 11	SPORT II B	3/8	1-3/8	A
104603	SPORT II B 05 - 11	SPORT II B	5/8	1-3/8	A
104608	SPORT II B 07 - 11	SPORT II B	7/8	1-3/8	A
104613	SPORT II B 09 - 11	SPORT II B	1-1/8	1-3/8	A
104617	SPORT II B 11 - 11	SPORT II B	1-3/8	1-3/8	A
104599	SPORT II B 03 - 13	SPORT II B	3/8	1-5/8	A
104604	SPORT II B 05 - 13	SPORT II B	5/8	1-5/8	A
104609	SPORT II B 07 - 13	SPORT II B	7/8	1-5/8	A
104614	SPORT II B 09 - 13	SPORT II B	1-1/8	1-5/8	A
104618	SPORT II B 11 - 13	SPORT II B	1-3/8	1-5/8	A
104600	SPORT II B 03 - 13	SPORT II B	3/8	2-1/8	A
104605	SPORT II B 05 - 13	SPORT II B	5/8	2-1/8	A
104610	SPORT II B 07 - 13	SPORT II B	7/8	2-1/8	A
104615	SPORT II B 09 - 17	SPORT II B	1-1/8	2-1/8	A
104619	SPORT II B 11 - 17	SPORT II B	1-3/8	2-1/8	A

Standard Range — 10 in. Hg to 120 psig.  
 To order: Specify type, port size, connection size and voltage.

## PARKER - EVAPORATOR PRESSURE REGULATORS SPORT, SPORT II, SC SOLENOID VALVE

### SPORT, SPORT II, SC SOLENOID VALVE

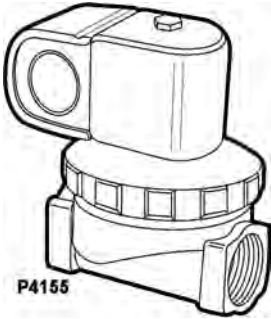
PART NO	VOLTAGE	
202940	120V/60 or 110V/50	Coil & Hsg. Kit
202941	240 V	Coil & Hsg. Kit
202942	208 V	Coil & Hsg. Kit
202943	480 V	Coil & Hsg. Kit
202944	24 V	Coil & Hsg. Kit

### A8 AND A9 SERIES

PART NO	VOLTS/HZ	DESCRIPTION
206004	120 V	Coil & Hsg. Kit
206005	208/240 V	Coil & Hsg. Kit
206006	480 V	Coil & Hsg. Kit

## PARKER - GENERAL PURPOSE SOLENOID VALVES

### Two-Way Solenoid Valves — Type I (Normally Closed Only)



#### APPLICATIONS

These valves are for General application on non-corrosive fluids such as air, Water below 180°F, light oils below 300 SSU, and low vacuum. All seal off Bubbletight.

#### GENERAL SPECIFICATIONS

Type I two-way solenoid valves can be used on either low or high pressure And available in 1/4" NPT through 1" NPT. The smaller valves are direct acting While the larger valves are pilot operated.

#### MATERIALS

BODY.....Forged Brass or Brass Bar  
 PLUNGER.....430 Stainless Steel  
 SEALS, DISCS & DIAPHRAGMS...Buna A (Seat Disc in "G" models is Fluoroelastomer)  
 ENCLOSING TUBE.....300 Series Stainless Steel  
 SPRINGS.....300 Series Stainless Steel

### Type I Two-way Normally closed (AC) Voltages

VALVE MODEL NO	PIPE SIZE	ORIFICE	Cv	OPERATING PRESSURE DIFFERENTIAL				°F MAXIMUM TEMP	COIL TYPE
				Minimum PSI	Maximum (MOPD) PSI Air Inert Gas	Maximum (MOPD) PSI Water	Maximum (MOPD) PSI Light Oil 300		
GP200	1/4	5/16	.98	1	150	150	150	225	G-23
GP300	3/8	1/2	3.00	1	150	150	150	225	G-23
GP400	1/2	1/2	3.60	1	150	150	150	225	G-23
GP600	3/4	3/4	7.40	1	150	150	150	225	G-23
GP10A	1	1	12.20	1	150	150	150	225	G-23

Compressors, Chillers, Condensers

Motors

Electrical

Heating Components

Indoor Air Quality

Thermostats

Oils & Chemicals

Accessories, Supplies & Commodities

Tools & Instruments

Refrigeration

Compressors, Chillers, Condensers  
 Motors  
 Electrical  
 Heating Components  
 Indoor Air Quality  
 Thermostats  
 Oils & Chemicals  
 Accessories, Supplies & Commodities  
 Tools & Instruments  
 Refrigeration

## PARKER - GENERAL PURPOSE SOLENOID VALVES

### Two-Way Solenoid Valves — Type I (Normally Closed Only)

#### Flow Capacities — Water GPM

MODEL NO.								
Type I	Type III	1 psi	2 psi	5 psi	10 psi	15 psi	25 psi	50 psi
Normally Closed	Normally Closed							
GP200	GP207	.98	1.36	2.16	3.90	3.78	4.90	6.90
GP300	GP307	3.00	4.23	6.70	9.50	11.60	15.00	21.20
GP400	GP407	3.60	5.09	8.05	11.38	13.94	18.00	25.46
GP600	GP607	7.40	10.40	16.70	23.60	29.00	37.50	53.00
GP10A	GP1007	12.20	17.30	27.30	39.00	43.70	62.00	88.00

#### Steam Capacities — Pounds Per Hour

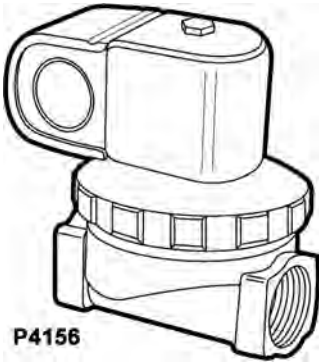
MODEL NO.		5 PSIG INLET PRESSURE		10 PSIG INLET PRESSURE			MODEL NUMBERS	25 PSIG INLET PRESSURE			50 PSIG INLET PRESSURE		
Type III	Type IV	Pressure Drop (psi)		Pressure Drop (psi)			Type IV	Pressure Drop (psi)			Pressure Drop (psi)		
		2	4	2	5	7		5	10	15	10	20	30
GP207	GP257	19.40	27.40	21.40	33.90	40.30	GP357	42.30	60.00	73.00	76.00	107.00	130.00
GP307	GP357	56.50	79.90	63.30	100.00	118.30	GP457	126.80	179.30	219.60	228.90	323.70	396.50
GP407	GP457	67.80	95.90	75.90	120.00	142.00	GP657	152.20	215.20	263.60	274.70	388.50	475.80
GP607	GP657	147.00	211.00	162.00	261.00	312.00	GP1057	326.00	462.00	565.00	581.00	821.00	1005.00
GP1007	GP1057	245.00	346.00	270.00	431.00	511.00	GP257	538.00	760.00	927.00	956.00	1348.00	1667.00

TYPE II												
*32F24C2199ACF	—	—	—	—	—	—	77.00	123.00	175.00	214.00	278.00	390.00
**48F24C2199ACF	—	—	—	—	—	—	177.00	280.00	395.00	485.00	625.00	870.00

\*GP20

\*\*GP30

## PARKER - TWO-WAY SOLENOID VALVES — TYPE III



P4156

### APPLICATIONS

These valves were developed primarily for use on hot water and low pressure steam (to 10 psi), but can be used on air and other non-corrosive fluids. They can be used with fluid temperatures ranging from -20° to 240°F.

### GENERAL SPECIFICATIONS

Type III two-way solenoid valves have a brass body with a stainless steel seat insert and a Teflon diaphragm. They are available with ¼" NPT through 1" NPT connection; normally closed only. These valves are not available with an explosion proof coil enclosure.

### MATERIALS

BODY.....Forged Brass with stainless steel seat  
 BONNETT.....Forged Brass  
 DIAPHRAGMS.....Teflon  
 ENCLOSING TUBE.....300 Series stainless steel  
 PLUNGER.....430 Series stainless steel  
 PLUNGER SEAT DISC.....Fluoroelastomer

### TYPE III VALVE SPECIFICATIONS

VALVE MODEL NO	PIPE SIZE	ORIFICE	Cv	OPERATING PRESSURE DIFFERENTIAL				°F MAXIMUM TEMP	COIL TYPE	AC COIL WATTAGE	DC COIL WATTAGE
				Minimum PSI	Maximum (MOPD) PSI Air Inert Gas	Maximum (MOPD) PSI Water	Maximum (MOPD) PSI Light Oil 300				
GP207	1/4	5/16	.98	1	150	150	150	240	G-23	9.0	14.0
GP307	3/8	1/2	3.00	1	150	150	150	240	G-23	9.0	14.0
GP407	1/2	1/2	3.60	1	150	150	150	240	G-23	9.0	14.0
GP607	3/4	3/4	7.40	1	150	150	150	240	G-23	9.0	14.0
GP1007	1	1	12.20	1	150	150	150	240	G-23	9.0	14.0

## PARKER - TWO-WAY SOLENOID VALVES — TYPE IV

### APPLICATIONS

These valves are recommended for steam service up to 50 psig saturated steam.

NOTE: Do not apply on systems where steam is regulated from above 50 psig. Damage to the valve will result.

### GENERAL SPECIFICATIONS

Type IV two-way solenoid valves have a brass body with a stainless steel seat insert and an ethylene propylene (EPT) diaphragm and seal. These valves are available with ¼" NPT through 1" NPT connection; normally closed only. They are not available with an explosion proof coil enclosure.

### MATERIALS

BODY.....Forged Brass with stainless steel seat  
 BONNETT.....Forged Brass  
 DIAPHRAGMS.....EPT  
 ENCLOSING TUBE.....300 Series stainless steel  
 PLUNGER.....430 Series stainless steel  
 PLUNGER SEAT DISC.....EPT  
 SPRINGS.....300 Series stainless steel  
 SEAL.....EPT

VALVE MODEL NO	PIPE SIZE	ORIFICE	Cv	OPERATING PRESSURE DIFFERENTIAL			°F MAXIMUM TEMP	COIL TYPE	AC COIL WATTAGE
				Minimum PSI	Maximum (MOPD) PSI Steam/Water	Maximum (MOPD) PSI Water			
GP257	1/4	5/16	.98	1	50/150	300	150	G-23	9.0
GP357	3/8	1/2	3.00	1	50/150	300	150	G-23	9.0
GP457	1/2	1/2	3.60	1	50/150	300	150	G-23	9.0
GP657	3/4	3/4	7.40	1	50/150	300	150	G-23	9.0
GP1057	1	1	12.20	1	50/150	300	150	G-23	9.0

# Refrigeration

Compressors, Chillers, Condensers  
 Motors  
 Electrical  
 Heating Components  
 Indoor Air Quality  
 Thermostats  
 Oils & Chemicals  
 Accessories, Supplies & Commodities  
 Tools & Instruments  
 Refrigeration

## PARKER - SOLENOID VALVES

### GENERAL PURPOSE SOLENOID VALVE

#### GP SERIES

PART NO	MODEL NO	PORT SIZE	Cv	CONNECTIONS (in FPT)	SHIP WT (lb)
70221	GP200	5/16	.98	1/4	0.75
70222	GP207	5/16	.98	1/4	.075
70223	GP257	5/16	.98	1/4	.075
70392	GP300	1/2	3.35	3/8	1.00
70393	GP307	1/2	3.35	3/8	1.00
70394	GP357	1/2	3.35	3/8	1.00
70561	GP4	1/2	3.35	1/2	1.00
70562	GP400	1/2	3.35	1/2	1.00
70563	GP407	1/2	3.35	1/2	1.00
70564	GP457	1/2	3.35	1/2	1.00
70712	GP600	3/4	7.40	3/4	2.00
70713	GP607	3/4	7.40	3/4	2.00
70714	GP657	3/4	7.40	3/4	2.00
70810	GP10A	1	12.20	1	4.25
70808	GP1007	1	12.20	1	4.25
70777	GP1057	1	12.20	1	4.25

### SOLENOID COILS FOR GENERAL PURPOSE VALVES

PART NO	MODEL NO	WATTS	VOLTS	HZ	VA	
					HOLDING	INRUSH
77300	G23-24V	9	24 VAC	50/60	12	30
77310	G23-120	9	120 VAC	50/60	12	30
77311	G23-120 Boss	9	120 VAC	50/60	12	30
77320	G23-240	9	208/240 VAC	50/60	12	30
77340	G23-480	9	480 VAC	50/60	12	30
77360	G23-120/240	9	120/240 VAC	50/60	12	30
75520	G23-12V DC	14	12 VDC	--	--	--
75530	G23-24V DC	14	24 VDC	--	--	--

## PARKER

### R Series Refrigeration Solenoid Valves

**Note:**

**RB Series was replaced at the end of 2006. Please transition to the R Series valves and RK Series coils.**

The Parker Refrigeration Valves consist of a family of direct and pilot operated solenoid valves for liquid, suction and hot gas defrost application requirements. The valves are compatible with virtually all of today's commercially available CFC, HCFC and HFC refrigerants and blends. The Parker refrigeration valves meet a broad range of system needs including refrigeration, air conditioning and freezing applications. From small fractional tonnage to large systems.



The portfolio is endowed with numerous benefits including:

- A full-line of normally closed and normally open valves
- State of the art operator performance for long life, ease of service and tighter system integrity
- Patent pending manual stem functionality
- High pressure ratings to comply with newer refrigerants
- Extended end sweat connections enable brazing installation without disassembly
- Complete line of high temperature watertight coil designs suitable for all valves
- AC & DC coils are interchangeable on all valve body versions

### "R" Series Normally Closed Refrigeration Solenoid Valves

Part Number	Connection Size & Type	Port Size	Rated Capacity R-22 (liquid)	Rated Capacity R-134a (liquid)	Rated Capacity R-404/507 (liquid)	Cv
R10 E22	1/4 ODF	5/64	0.73	.56	.49	.13
R10 E23	3/8 ODF					
R10 E32	1/4 ODF	3/32	1.18	.91	.79	.21
R10 E33	3/8 ODF					
R20 E42	1/4 ODF	1/8	2.09	1.62	1.41	.40
R20 E43	3/8 ODF					
R20 E62	1/4 ODF	3/16	3.8	2.95	2.56	.75
R20 E63	3/8 ODF					
R20 E83	3/8 ODF	1/4	5.53	4.29	3.73	1.09
R20 E84	1/2 ODF					
R30 E103	3/8 ODF	5/16	8.42	6.53	5.67	1.77
R30 E104	1/2 ODF					
R30 E105	5/8 ODF	3/8	10.8	8.38	7.27	1.86
R30 E124	1/2 ODF					
R30 E125	5/8 ODF	15/32	16.2	12.5	10.9	2.86
R30 E154	1/2 ODF					
R30 E155	5/8 ODF	9/16	24.9	19.3	16.7	4.40
R30 E157	7/8 ODF					
R40 E185	5/8 ODF	7/8	44	34.1	29.6	7.90
R40 E187	7/8 ODF					
R40 E189	1-1/8 ODF	1	81.7	63.4	55.0	12.30
R40 E287	7/8 ODF					
R40 E289	1-1/8 ODF	1-1/4	120.7	93.6	81.3	21.40
R40 E2811	1-3/8 ODF					
R50 E329	1-1/8 ODF	1-1/4	120.7	93.6	81.3	21.40
R50 E3211	1-3/8 ODF					
R50 E4013	1-5/8 ODF	1-1/4	120.7	93.6	81.3	21.40
R50 E4017	2-1/8 ODF					
R50 E4021	2-5/8 ODF					

## PARKER

### R Series Refrigeration Solenoid Valves

**Note:**

RB Series was replaced at the end of 2006. Please transition to the R Series valves and RK Series coils.

#### "R" Series Normally Closed Refrigeration Solenoid Valves Manual Override

Part Number	Connection Size & Type	Port Size	Rated Capacity R-22 (liquid)	Rated Capacity R-134a (liquid)	Rated Capacity R-404/507 (liquid)	Cv
R10 E22M	¼ ODF	5/64	0.73	.56	.49	.13
R10 E23M	3/8 ODF					
R10 E32M	¼ ODF	3/32	1.18	.91	.79	.21
R10 E33M	3/8 ODF					
R20 E42M	¼ ODF	1/8	2.09	1.62	1.41	.40
R20 E43M	3/8 ODF					
R20 E62M	¼ ODF	3/16	3.8	2.95	2.56	.75
R20 E63M	3/8 ODF					
R20 E83M	3/8 ODF	1/4	5.53	4.29	3.73	1.09
R20 E84M	½ ODF					
R30 E103M	3/8 ODF	5/16	8.42	6.53	5.67	1.77
R30 E104M	½ ODF					
R30 E105M	5/8 ODF	3/8	10.8	8.38	7.27	1.86
R30 E124M	½ ODF					
R30 E125M	5/8 ODF	15/32	16.2	12.5	10.9	2.86
R30 E154M	½ ODF					
R30 E155M	5/8 ODF	9/16	24.9	19.3	16.7	4.40
R30 E157M	7/8 ODF					
R40 E185M	5/8 ODF	7/8	44	34.1	29.6	7.90
R40 E187M	7/8 ODF					
R40 E189M	1-1/8 ODF	1	81.7	63.4	55.0	12.30
R40 E287M	7/8 ODF					
R40 E289M	1-1/8 ODF	1-1/4	120.7	93.6	81.3	21.40
R40 E2811M	1-3/8 ODF					
R50 E329M	1-1/8 ODF	1-1/4	120.7	93.6	81.3	21.40
R50 E3211M	1-3/8 ODF					
R50 E4013M	1-5/8 ODF	2-5/8 ODF				
R50 E4017M	2-1/8 ODF					
R50 E4021M	2-5/8 ODF					

### R Series Solenoid Valve Repair Kits

#### Normally Closed Valves

Valve Series	Rebuild Kit Part Number
R10	RK1001
R20	RK2001
R30	RK3001
R40	RK4001
R50	RK5001

#### Normally Open Valves

R15	RK1501
R25	RK2501
R35	RK3501
R45	RK4501
R55	RK5501



# Refrigeration

## PARKER

### R Series Refrigeration Solenoid Valves

**Note:**

RB Series was replaced at the end of 2006. Please transition to the R Series valves and RK Series coils.

### "R" Series Normally Open Refrigeration Solenoid Valves

Part Number	Connection Size & Type	Port Size	Rated Capacity R-22 (liquid)	Rated Capacity R-134a (liquid)	Rated Capacity R-404/507 (liquid)	Cv
R15 E22	1/4 ODF	5/64	0.73	.56	.49	.13
R15 E23	3/8 ODF					
R15 E32	1/4 ODF	3/32	1.18	.91	.79	.21
R15 E33	3/8 ODF					
R25 E42	1/4 ODF	1/8	2.09	1.62	1.41	.40
R25 E43	3/8 ODF					
R25 E62	1/4 ODF	3/16	3.8	2.95	2.56	.75
R25 E63	3/8 ODF					
R25 E83	3/8 ODF	1/4	5.53	4.29	3.73	1.09
R25 E84	1/2 ODF					
R35 E103	3/8 ODF	5/16	8.42	6.53	5.67	1.77
R35 E104	1/2 ODF					
R35 E105	5/8 ODF					
R35 E124	1/2 ODF	3/8	10.8	8.38	7.27	1.86
R35 E125	5/8 ODF					
R35 E154	1/2 ODF	15/32	16.2	12.5	10.9	2.86
R35 E155	5/8 ODF					
R35 E157	7/8 ODF					
R45 E185	5/8 ODF	9/16	24.9	19.3	16.7	4.40
R45 E187	7/8 ODF					
R45 E189	1-1/8 ODF					
R45 E287	7/8 ODF	7/8	44	34.1	29.6	7.90
R45 E289	1-1/8 ODF					
R45 E2811	1-3/8 ODF					
R55 E329	1-1/8 ODF	1	81.7	63.4	55.0	12.30
R55 E3211	1-3/8 ODF					
R55 E4013	1-5/8 ODF	1-1/4	120.7	93.6	81.3	21.40
R55 E4017	2-1/8 ODF					
R55 E4021	2-5/8 ODF					

Compressors,  
Chillers, Condensers

Motors

Electrical

Heating  
Components

Indoor Air  
Quality

Thermostats

Oils &  
Chemicals

Accessories, Supplies  
& Commodities

Tools &  
Instruments

Refrigeration

# Refrigeration

Compressors, Chillers, Condensers  
 Motors  
 Electrical  
 Heating Components  
 Indoor Air Quality  
 Thermostats  
 Oils & Chemicals  
 Accessories, Supplies & Commodities  
 Tools & Instruments  
 Refrigeration

## PARKER

### R Series Refrigeration Solenoid Valves

**Note:**

RB Series was replaced at the end of 2006. Please transition to the R Series valves and RK Series coils.

### "R" Series Normally Open Refrigeration Solenoid Valves

Part Number	Connection Size & Type	Port Size	Rated Capacity R-22 (liquid)	Rated Capacity R-134a (liquid)	Rated Capacity R-404/507 (liquid)	Cv
R15 E22	1/4 ODF	5/64	0.73	.56	.49	.13
R15 E23	3/8 ODF					
R15 E32	1/4 ODF	3/32	1.18	.91	.79	.21
R15 E33	3/8 ODF					
R25 E42	1/4 ODF	1/8	2.09	1.62	1.41	.40
R25 E43	3/8 ODF					
R25 E62	1/4 ODF	3/16	3.8	2.95	2.56	.75
R25 E63	3/8 ODF					
R25 E83	3/8 ODF	1/4	5.53	4.29	3.73	1.09
R25 E84	1/2 ODF					
R35 E103	3/8 ODF	5/16	8.42	6.53	5.67	1.77
R35 E104	1/2 ODF					
R35 E105	5/8 ODF	3/8	10.8	8.38	7.27	1.86
R35 E124	1/2 ODF					
R35 E125	5/8 ODF	15/32	16.2	12.5	10.9	2.86
R35 E154	1/2 ODF					
R35 E155	5/8 ODF					
R35 E157	7/8 ODF	9/16	24.9	19.3	16.7	4.4
R45 E185	5/8 ODF					
R45 E187	7/8 ODF					
R45 E189	1-1/8 ODF	7/8	44	34.1	29.6	7.9
R45 E287	7/8 ODF					
R45 E289	1-1/8 ODF					
R45 E2811	1-3/8 ODF	1	81.7	63.4	55	12.3
R55 E329	1-1/8 ODF					
R55 E3211	1-3/8 ODF	1-1/4	120.7	93.6	81.3	21.4
R55 E4013	1-5/8 ODF					
R55 E4017	2-1/8 ODF					
R55 E4021	2-5/8 ODF					

### Refrigeration Coils – 10 Watt, Class F for Normally Closed Valves

Part Number	Enclosure	Class	Watts	Voltage
RK1B2	Junction Box – 6" leads	F	10	24/60
RK1P3	Junction Box – 6" leads	F	10	120/60, 110/50
RK12K	Junction Box – 6" leads	F	10	208/60
RK1Q3	Junction Box – 6" leads	F	10	208/240/60, 220/50
RK1C1	Junction Box – 6" leads	F	10	12VDC
RK1C2	Junction Box – 6" leads	F	10	24VDC

### Refrigeration Coils – 10 Watt, Class F for Normally Closed Valves

Part Number	Enclosure	Class	Watts	Voltage
RK3B2	Junction Box – 6" leads	H	22	24/60
RK3P3	Junction Box – 6" leads	H	22	120/60, 110/50
RK32K	Junction Box – 6" leads	H	22	208-240/60
RK3Q3	Junction Box – 6" leads	H	22	240/60, 220/50
RK3C1	Junction Box – 6" leads	H	22	12VDC
RK3C2	Junction Box – 6" leads	H	22	24VDC

# Refrigeration

## PARKER

### R Series Refrigeration Solenoid Valves

**Note:**

RB Series was replaced at the end of 2006. Please transition to the R Series valves and RK Series coils.

Port/Orifice Size	Normally Closed Valves		Normally Open Valves	
	Existing Parker/Jacks-Evans Model	NEW Parker Part Number	Existing Parker/Jacks-Evans Model	NEW Parker Part Number
.078	NEW	R10E22	NEW	R15E22
		R10E23		R15E23
3/32	RB1E2	R10E32	ORB1E2	R15E32
	RB1E3	R10E33	ORB1E3	R15E33
1/8	NEW	R20E42	NEW	R25E42
		R20E43		R25E43
3/16	NEW	R20E62	NEW	R25E62
		R20E63		R25E63
1/4	RB3E2		ORB3E2	
	RB3E3	R20E83	ORB3E3	R25E83
	RB3E4	R20E84	ORB3E4	R25E84
.315	NEW	R30E103	NEW	R35E103
		R30E104		R35E104
		R30E105		R35E105
.375	RB6E4	R30E124	ORB6E4	R35E124
	RB6E5	R30E125	ORB6E5	R35E125
		R30E127		R35E127
.468	RB9E4	R30E154	ORB9E4	R35E154
	RB9E5	R30E155	ORB9E5	R35E155
	RB9E7	R30E157	ORB9E7	R35E157
.562	RB15E5	R40E185	ORB15E5	R45E185
	RB15E7	R40E187	ORB15E7	R45E187
	RB15E9	R40E189	ORB15E9	R45E189
.875	RB21E7	R40E287	ORB21E7	R45E287
	RB21E9	R40E289	ORB21E9	R45E289
		R40E2811		R45E2811
1	RB41E9	R50E329	ORB41E9	R55E329
	RB41E11	R50E3211	ORB41E11	R55E3211
1-1/4		R50E4011		R55E4011
	RB81E13	R50E4013	ORB81E13	R55E4013
	RB81E17	R50E4017	ORB81E17	R55E4017
		R50E4021		R55E4021

Table shown with extended end part numbers.

Compressors, Chillers, Condensers  
 Motors  
 Electrical  
 Heating Components  
 Indoor Air Quality  
 Thermostats  
 Oils & Chemicals  
 Accessories, Supplies & Commodities  
 Tools & Instruments  
 Refrigeration

## PARKER General Specifications

Refrigerants  
R-22, R-134a, R-404a, R-507, R-410A, etc.

Maximum Safe Working Pressure: 650psi

Operating Temperature Range:  
 Fluid: -20°F to 285°F (140°C)  
 Ambient: -20°F to 120°F (49°C) for AC voltages  
 Ambient: -20°F to 120°F (49°C) for DC voltages

UL Listed & CSA Certified with Standard Voltages:  
 AC Voltages 24/50, 24/60, 110/50, 120/60, 208-240/60, 220/50, 240/60  
 DC Voltages 12 VDC, 24VDC

Coil Enclosures:  
Reference Electrical Specifications for Coil Enclosures

## Valve Specifications

Valve Series	Port Size	Cv	Operating Pressure Differential (psi)			Operating Pressure Differential (psi)		
			Min..	Maximum AC Ratings		Min	Maximum AC Ratings	
				10w	22w		10w	22w
R10 E2 & F2	5/64	0.13	0	450		R15 E2 & F2	0	450
R10 E3 & F3	3/32	0.21	0	300	450	R15 E3 & F3	0	450
R20 E4 & F4	1/8	0.40	1	450		R25 E4 & F4	1	450
R20 E6 & F6	3/16	0.75	1	450		R25 E6 & F6	1	450
R20 E8 & F8	1/4	1.09	1	450		R25 E8 & F8	1	450
R30 E10	5/16	1.77	1	450		R35 E10	1	450
R30 E12	3/8	1.86	1	450		R35 E12	1	450
R30 E15	15/32	2.86	1	450		R35 E15	1	450
R40 E18	9/16	4.40	1	450		R45 E18	1	450
R40 E28	7/8	7.90	1	450		R45 E28	1	450
R50 E32	1	12.3	1	280	400	R55 E32	1	400
R50 E40	1-1/4	21.4	1	280	400	R55 E40	1	400

## Ratings Summary

Valve Series	Rated Capacity (tons)								
	Liquid			Suction			Hot Gas		
	R-22	R-134a	R-404a R-507	R-22	R-134a	R-404a R-507	R-22	R-134a	R-404a R-507
R10/15 E2 & F2	0.73	0.56	0.49	0.08	0.06	0.08	0.14	0.12	0.13
R10/15 E3 & F3	1.18	0.91	0.79	0.12	0.09	0.11	0.20	0.17	0.19
R20/25 E4 & F4	2.09	1.62	1.41	0.21	0.16	0.20	0.36	0.31	0.34
R20/25 E6 & F6	3.80	2.95	2.56	0.40	0.31	0.37	0.67	0.57	0.64
R20/25 E8 & F8	5.53	4.29	3.73	0.59	0.45	0.54	0.98	0.84	0.93
R30/35 E10	8.42	6.53	5.67	0.95	0.72	0.87	1.58	1.35	1.50
R30/35 E12	10.8	8.38	7.27	1.15	0.88	1.05	1.92	1.64	1.82
R30/35 E15	16.2	12.5	10.9	1.46	1.11	1.34	2.43	2.08	2.31
R40/45 E18	24.9	19.3	16.7	2.72	2.08	2.49	4.53	3.88	4.31
R40/45 E28	44.0	34.1	29.6	4.64	3.56	4.26	7.75	6.64	7.38
R50/55 E32	69.2	53.7	46.6	5.33	4.08	4.89	11.9	10.2	11.3
R50/55 E40	120.7	93.6	81.3	8.06	6.17	7.40	17.9	15.4	17.1

Liquid line capacities are based on 40°F evaporator, 10°F superheat and 101°F condenser temperatures and pressure drop p across valve  
 p = 2 psi for R134a  
 p = 3 psi for R-22, R-404a, R-507

Suction vapor capacities of 40°F evaporator temperature plus 25°F superheat, 101°F condenser and 1 psi drop across valve

Rated hot gas capacities based on 40°F evaporator temperature plus 25°F superheat and 101°F condenser temperature and 2 psi drop