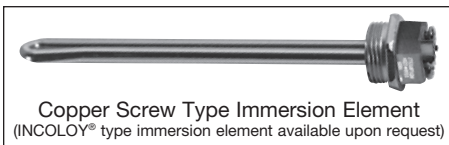


Residential Lowboy Electric Water Heater



Photo is of
RE240LN6



Copper Screw Type Immersion Element
(INCOLOY[®] type immersion element available upon request)

The Lowboy Electric Models Feature:

- **Blanketed & Non-Blanketed Models Available**—Non-Blanketed models (RE120L6, RE230LN6, RE240LN6) help to decrease overall installation time and are perfect for new construction applications. Blanketed models (RE230L6, RE240L6, & RE250L6) provide more installation flexibility and are ideal for replacement applications.
- **Low Restriction Brass Drain Valve**—Durable tamper-proof design.
- **Fully Automatic Thermostat Controls**—Fast acting surface-mount thermostat with high limit energy cut-off (manual reset) for safety.
- **Direct Heat Transfer with Immersed Elements**—Transfers heat directly and efficiently to the water. Screw-in style.
- **Factory-Installed Hydrojet[®] Total Performance System**—Sediment reducing device that also increases first hour delivery of hot water while minimizing temperature build-up in tank.
- **Vitraglas[®] Lining**—An exclusively engineered enamel formula that provides superior tank protection from the highly corrosive effects of hot water. This formula (Vitraglas[®]) is fused to the steel surface by firing at a temperature of over 1600°F (871°C).
- **Insulation System**—Non-CFC foam covers the sides and top of the tank, reducing heat loss. This results in less energy consumption, improved efficiencies, and jacket rigidity. Blanketed models additionally use a supplied flexible fiberglass insulation blanket.
- **Water Connections**—3/4" NPT factory-installed true dielectric fittings extend water heater life and simplify water line connections.
- **Factory-Installed Heat Traps**—Design incorporates a flexible disk that reduces heat loss in piping and eliminates the potential for noise generation. (Except for RE120L6).
- **Protective Magnesium Anode Rod**—Provides added protection against corrosion for long-term, trouble-free service.
- **Non-Simultaneous Operation**—Non-Simultaneous operation indicates only one heating element will operate at a time and is standard construction from the factory. Simultaneous Operation indicates both heating elements have the potential to operate at the same time and is available as an option (must be specified when ordering).
- **Voltages Available**—120V, 208V, 240V, 277V, 480V.
- **Single Phase or Three Phase Operation Available**—120V & 277V may only be wired for single phase operation.
- **T&P Relief Valve**—Installed, side T&P is standard. Optional top T&P location is available.
- **Design evaluated by ETL in accordance with Part 280.707(d) of HUD Mobile Home Construction and Safety Standards for Energy Efficiency.**



6 or 10-Year Limited Tank Warranties / 6 or 10-Year Limited Warranty on Component Parts.

For more information on warranty, please visit www.bradfordwhite.com

For products installed in USA, Canada and Puerto Rico. Some states do not allow limitations on warranties. See complete copy of the warranty included with the heater.

MANUFACTURED UNDER ONE OR MORE OF THE FOLLOWING U.S. PATENTS: 5,682,666; 7,634,976; 5,660,165; 5,954,492; 6,056,542; 6,935,280; 5,372,185; 5,485,879; 5,574,822; 7,971,560; 7,992,526; 6,684,821; 6,442,178; 7,334,419; 7,866,168; 7,270,087; 7,007,748; 5,596,952; 6,142,216; 7,699,026; 5,341,770; 7,337,517; 7,665,211; 7,665,210; 7,063,132; 7,063,133; 7,559,293; 7,900,589; 5,943,984; 8,082,888; 5,988,117; 7,621,238; 7,650,859; 5,761,379; 7,409,925; 5,277,171; 8,146,772; 7,458,341; 2,262,174. OTHER U.S. AND FOREIGN PATENT APPLICATIONS PENDING. CURRENT CANADIAN PATENTS: 2,314,845; 2,504,824; 2,108,186; 2,143,031; 2,409,271; 2,548,958; 2,112,515; 2,476,685; 2,239,007; 2,092,105; 2,107,012. Vitraglas[®] and Hydrojet[®] are registered trademarks of Bradford White[®] Corporation.

Residential Electric Water Heater

Lowboy Models

C.E.C. Listed

Model Number	Capacity		1st Hour Rating (Gal.)	Energy Factor	Recovery 90°F Rise		A Floor to Heater Top in.	B Jacket Dia. in.	C Floor to Water Conn. in.	D Floor to T&P Conn. in.	Approx. Shipping Weight lbs.
	U.S. Gal.	Imp. Gal.			U.S. GPH*	Imp. GPH*					
RE120L6†	19	16	—	—	21	18	24 ⁷ / ₈	18	25 ⁵ / ₈	19 ¹ / ₈ / 24 ⁷ / ₈	65
RE230LN6	28	23	43	0.95	21	18	30	23	30 ⁷ / ₈	23 ¹ / ₄	102
RE230L6**	28	23	45	0.95	21	18	29 ⁷ / ₈	22	30 ³ / ₄	24 ¹ / ₈ / 30 ⁵ / ₈	108
RE240LN6	37	31	50	0.95	21	18	32	24 ¹ / ₂	33 ¹ / ₄	23 ³ / ₄	126
RE240L6**	38	32	55	0.95	21	18	32 ⁵ / ₈	24	33 ¹ / ₂	24 ¹ / ₈ / 33 ⁵ / ₈	140
RE250L6**	47	39	58	0.95	21	18	33 ⁵ / ₈	26	34 ³ / ₄	24 ¹ / ₂ / 34 ⁵ / ₈	173

Model Number	Capacity		1st Hour Rating (Liters)	Energy Factor	Recovery 50°C Rise		A Floor to Heater Top mm.	B Jacket Dia. mm.	C Floor to Water Conn. mm.	D Floor to T&P Conn. mm.	Approx. Shipping Weight kg.
	Liters				Liters/Hour						
RE120L6†	72		—	—	80		632	457	651	486 / 632	29
RE230LN6	106		163	0.95	80		762	584	784	591	46
RE230L6**	106		170	0.95	80		759	559	781	613 / 778	49
RE240LN6	140		189	0.95	80		813	622	845	603	57
RE240L6**	144		208	0.95	80		829	610	851	613 / 854	64
RE250L6**	178		220	0.95	80		854	660	883	622 / 879	78

**Models include supplied insulation blanket (2" thick). Dimensions in charts above do not include blanket thickness.

For 10 year models, change suffix "6" to "10".

* Based on 4500W/4500W, Non-Simultaneous operation.

All models available with optional top T&P location (Plugged).

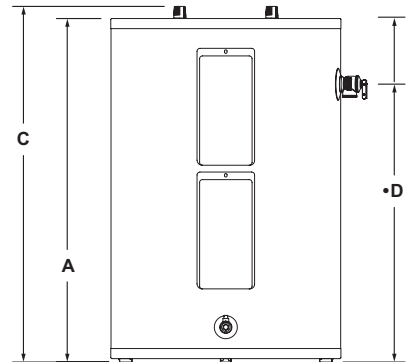
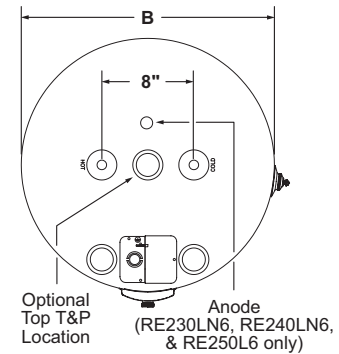
† Exempt from ASHRAE 90.1b (current standard).

Energy Factor and First Hour Rating are based on the latest AHRI directory listings.

Wattage Limitations for Simultaneous Operation	Voltage				
	120V	208V	240V	277V	480V
1500W / 1500W	yes	yes	yes	yes	yes
2000W / 2000W	no	yes	yes	yes	yes
2500W / 2500W	no	yes	yes	yes	yes
3000W / 3000W	no	yes	yes	yes	yes
3500W / 3500W	no	yes	yes	no	no
4000W / 4000W	no	yes	yes	yes	yes
4500W / 4500W	no	yes	yes	yes	yes
5000W / 5000W	no	yes	yes	yes*	yes*
5500W / 5500W	no	no	yes*	no	no
6000W / 6000W	no	no	no	yes	yes

Wattage Limitations for Non-Simultaneous Operation	Voltage				
	120V	208V	240V	277V	480V
1500W / 1500W	yes	yes	yes	yes	yes
2000W / 2000W	yes	yes	yes	yes	yes
2500W / 2500W	yes	yes	yes	yes	yes
3000W / 3000W	yes	yes	yes	yes	yes
3500W / 3500W	no	yes	yes	no	no
4000W / 4000W	no	yes	yes	yes	yes
4500W / 4500W	no	yes	yes	yes	yes
5000W / 5000W	no	yes	yes	yes*	yes*
5500W / 5500W	no	yes	yes*	no	no
6000W / 6000W	no	yes	yes	yes	yes

*Not available on RE230LN6.



•"D" dimension listed as side/top.

Wattage	Recovery ▲ GPH Temperature Rise °F				
	60	80	90	100	120
1500W	10	8	7	6	5
2000W	14	10	9	8	7
2500W	17	13	11	10	9
3000W	21	15	14	12	10
3500W	24	18	16	14	12
4000W	28	21	18	16	14
4500W	31	23	21	19	15
5000W	34	26	23	21	17
5500W	38	29	25	23	19
6000W	41	31	28	25	21

▲(GPH based on Non-Simultaneous operation, when Simultaneous operation the GPH will approximately double.)

General:

Meets NAECA Requirements.

All models ETL listed. These heaters are wired inter-locking (Non-Simultaneous, Single Phase) 240V with two 4500W elements, unless otherwise specified. All water and electrical connections are 3/4" NPT (19mm).

All models certified at 300 psi test pressure (2068 kPa) and 150 psi working pressure (1034 kPa.)

Dimensions and specifications subject to change without notice in accordance with our policy of continuous product improvement.



For U.S. and Canada field service, contact your professional installer or local Bradford White sales representative.

Sales 800-523-2931 • Fax 215-641-1670 / Technical Support 800-334-3393 • Fax 269-795-1089 • Warranty 800-531-2111 • Fax 269-795-1089

International: Telephone 215-641-9400 • Telefax 215-641-9750 / www.bradfordwhite.com



BRADFORD WHITE-CANADA INC. Sales / Technical Support 866-690-0961 / 905-238-0100 • Fax 905-238-0105 / www.bradfordwhite.com

Built to be the Best™