



MODEL NC-1 'NeutraPal' CONDENSATE NEUTRALIZATION KIT

NeutraPal™

The 'NeutraPal' is ideal for neutralizing condensate from condensing boilers and furnaces operating on natural gas or propane.

The condensate is acidic and has the potential to harm the environment and the sewer system. The NeutraPal will raise the pH of the condensate to a more neutral level before it is discharged to drain.



Introducing:

LipHter⁺

FEATURES and BENEFITS

- **1.6 Gal/hr (6.05l/hr)**
- *NeutraPal prevents acidic condensate from corroding drains and sewer systems*
- *Neutralized condensate is more environmentally friendly*
- *Fast and easy installation, includes piping and connection hardware*
- *Helps maintain a neutral environment for bacteria in septic systems*
- *Low profile design for appliances with a near floor condensate drain*
- *All corrosion resistant materials*
- *Suitable for use on all types of Natural Gas and Propane appliances*
- *Includes initial charge of LipHter⁺ neutralizing agent*
- *Can be mounted in horizontal or vertical position (see installation instructions)*

* Check with the appliance manufacturer for condensate flowrate. As a guideline 400,000 BTU/hr at 93% efficiency will produce approximately 1.6 Gal/hr.

© 2018 Axiom Industries Ltd.

TOLL FREE: (877) 651-1815 PHONE: (306) 651-1815 EMAIL: info@axiomind.com

www.axiomind.com



INDUSTRIES LIMITED

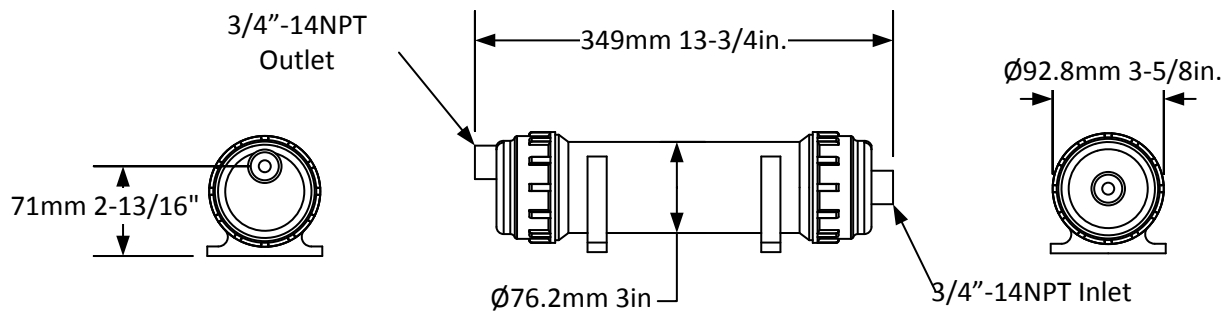
**NC-1 NEUTRALIZATION CAPSULE
TECHNICAL INFORMATION**



WEIGHT - 2 kg, 4.4 lbs.

SPECIFICATION

The condensate neutralization capsule shall be AXIOM INDUSTRIES LTD. model NC-1. System shall include 1 litre (0.26 U.S. gallon) transparent capsule made from corrosion resistant materials with two 3" fill/access openings, 3" inlet and outlet screen, 3/4"-14NPT threaded inlet, 3/4"-14NPT threaded outlet, two 3/4" MNPT x 3/4" FNPT unions, three 3/4" NPT to 1/2" hose barb fittings, 1/2" barbed Y fitting, six hose clamps, 10 ft of 1/2" ID vinyl tubing, two base/wall mounting clamps.



ACCESSORIES

- NM-1 – Replacement *LipHter*⁺ neutralization media



Project _____

Location _____

Consultant _____

Contractor _____

Unit Tag _____

Sales Agent _____