



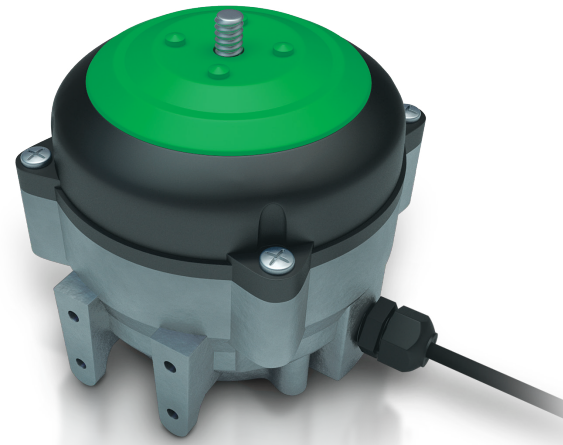
# KRYO™ FORTRESS MOTOR/FAN PACKS

A HIGH-EFFICIENCY ECM MOTOR WITH A  
DUST-TIGHT, WATER-TIGHT IP66 AND IP67 RATING

# KRYO™ FORTRESS MOTOR

## BUILT TO PROTECT

The KRYO™ FORTRESS motor is an energy-efficient, unit bearing style ECM motor built to withstand harsh commercial refrigeration environments and cleaning practices. The motor's innovative design locks out dust, withstands high pressure water from any direction and water submersion for up to 30 minutes, giving it a remarkable IP66 and IP67 rating. Wet, dry, or submerged, whatever happens – the KRYO FORTRESS motor keeps its cool under any conditions.



MD5411  
MD5411S



The versatility and performance of the KRYO FORTRESS motor make it an ideal retrofit or replacement motor for OEMs, or for other ECM or shaded pole unit bearing motors in commercial refrigeration evaporator units. When you need a ready-made repair solution, the KRYO FORTRESS motor is one of the smartest motors you can stock in your truck.

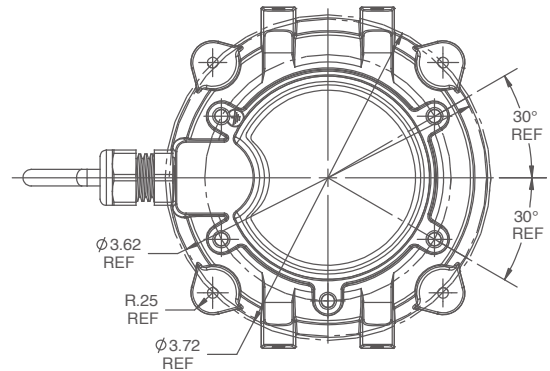
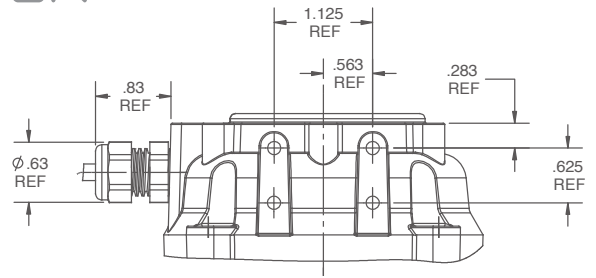


## DUAL VOLTAGE, REVERSIBLE, MULTI-MOUNT

# KRYO™ FORTRESS MOTOR

## BUILT TO BE YOUR TRUCK STOCK MOTOR

- **Two motors replace all motors rated:**
  - › 4-27 or 4-20 watts (automatically operates at the watts needed by load)
  - › 1550 rpm
  - › 115-230 VAC (Automatic)  
Allowable voltage range 90-240 VAC
  - › CW & CCW (one wire connection)
  - › Standard 1/4-20 shaft thread
- **Multiple standard mounting options**
  - › Standard rear 3-hole and 4-hole mounting
  - › Two-sided mounting feet
- **Can be used in evaporator and condenser applications**



## BUILT TO BE EASY TO INSTALL

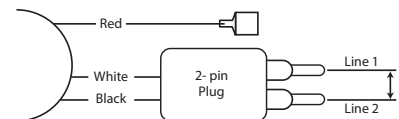
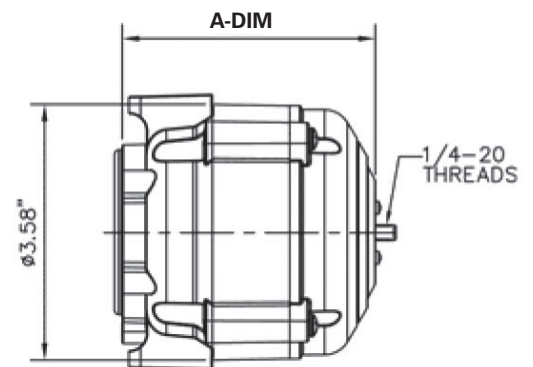
- Standard two-pin molded plug
- Reverse rotation with one wire connection
- Multiple standard mounting options

## BUILT TO SAVE ENERGY

- High efficiency ECM motors provide 41% greater efficiency over traditional shaded pole motors

## BUILT TO LAST

- IP66 and IP67 rating (water-tight, dust-tight and submersible)
- Long-life ball bearings
- Aluminum body
- Can operate in temperatures between -40°C and 55°C



STOCK NUMBER	WATTS	RPM	SPEEDS	VOLTS	AMPS	ROTATION	BEARING	ENCLOSURE	SHAFT	A-DIM
MD5411	4-27	1550	1	90-240	.30-.65	REV	BALL	IP66/IP67	1/4-20	3.61
MD5411S	4-20	1550	1	90-240	.20-.55	REV	BALL	IP66/IP67	1/4-20	3.11

Stock No. 2117 - 90° cord adapter available separately



# REPLACES 28 DIFFERENT MOTOR RATINGS

# KRYO™ FORTRESS FAN PACK



MD5469



MD5470  
MD5471  
MD5472

## BUILT TO BE EASY TO INSTALL

- Standard two-pin molded plug (operates motor at 4-20 watts, 1550 rpm, CW rotation)
- 115-230 VAC (Automatic)  
Allowable voltage range 90-240 VAC

## BUILT TO SAVE ENERGY

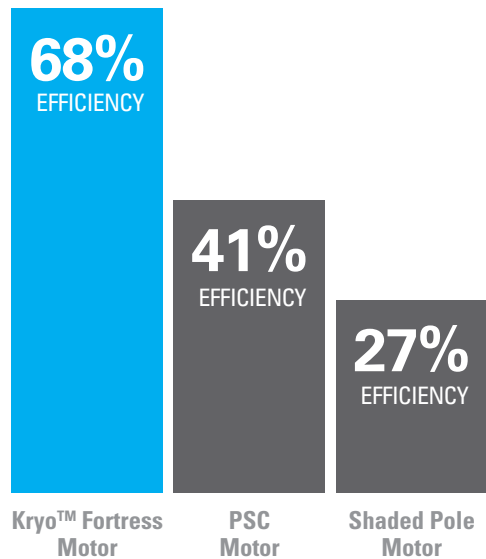
- High efficiency ECM motors provide 41% greater efficiency over traditional shaded pole motors

## BUILT TO LAST

- IP66 and IP67 rating (water-tight, dust-tight and submersible)
- Long-life ball bearings
- Aluminum body
- Can operate in temperatures between -40°C and 55°C

### Energy Savings ECM Design

Comparison 16 Watt Motors @ 1550 RPM



STOCK NUMBER	CFM	WATTS	RPM	SPEEDS	VOLTS	AMPS	ROTATION OSE	BEARING	ENC.	MOUNTING B.C.	MORRILL MOTORS®	CROSS REFERENCE	NOTES
MD5469	355	4-20	1550	1	90-240	.55-.20	CW	BALL	IP66	9.532"	5R024/5R033		1,3
MD5470	355	4-20	1550	1	90-240	.55-.20	CW	BALL	IP66	9.800"	5R026/5R035	5470, EC5470FP	2,3
MD5471	390	4-20	1450	1	90-240	.55-.20	CW	BALL	IP66	9.800"	5R027/5R036	5471	2,3
MD5472	415	4-20	1550	1	90-240	.55-.20	CW	BALL	IP66	9.800"	5R028/5R037	5472, EC5472FP	2,3

Notes: 1- Right Angle Plug, 2- Straight Plug, 3-Fan Pack

# DUAL VOLTAGE, DROP-IN REPLACEMENT

# KRYO™ FORTRESS FAN PACK

## BUILT TO PROTECT

The KRYO™ FORTRESS fan pack is an energy-efficient, unit bearing style ECM fan pack built to withstand harsh commercial refrigeration environments and cleaning practices. The fan pack's innovative design locks out dust, withstands high pressure water from any direction and water submersion for up to 30 minutes, giving it a remarkable IP66 and IP67 rating. Wet, dry, or submerged, whatever happens – the KRYO FORTRESS fan pack keeps its cool under any conditions.



MD5470  
MD5471  
MD5472



The versatility and performance of the KRYO FORTRESS fan pack make it an ideal retrofit or replacement fan pack for OEMs, or for other ECM or shaded pole fan packs in commercial refrigeration evaporator units. When you need a ready-made repair solution, the KRYO FORTRESS fan pack is one of the smartest motors you can stock in your truck.



## DUAL VOLTAGE, DROP-IN REPLACEMENT



**Regal Beloit America, Inc.**

1325 Heil Quaker Blvd.

LaVergne, TN 37086

Customer Service: 800-672-6495

Fax: 800-468-2062

[www.regalbeloit.com](http://www.regalbeloit.com)

**APPLICATION CONSIDERATIONS**

The proper selection and application of products and components, including paying full attention to the subject of product safety in the application, is the responsibility of the customer. Operating and performance requirements and potential associated issues will vary appreciably depending upon the use and application of such products and components. The scope of the technical and application information included in this publication is necessarily limited. Unusual operating environments and conditions, maintenance requirements, installation configurations, and other factors can materially affect the application and operating results of the products and components and the customer should carefully review its requirements. Any technical advice or reviews furnished by Regal Beloit America, Inc. or its affiliates ("Regal") with respect to the use of products and components is given in good faith and without charge. However, Regal assumes no obligation or liability for the advice given, or results obtained, all such advice and reviews being given and accepted are at the customer's risk.

For a copy of our Standard Terms and Conditions of Sale, Limited Warranty, and Limitations of Liability and Remedy, please contact Customer Service at 1-800-672-6495 or the website address: <http://www.regalbeloit.com> (link to "Terms and Conditions of Sale" at the bottom of the page). These terms and conditions of sale, disclaimers and limitations of liability apply to any person who may buy, acquire or use a Regal Beloit America Inc. product referred to herein, including any person who buys from a licensed distributor of these branded products.

Regal, Genteq, Morrill Motors and Kryo are trademarks of Regal Beloit Corporation or one of its affiliated companies.

©2018 Regal Beloit Corporation, All Rights Reserved. MCB18048E • Form# G0063E

