



GRANBY
HEATING PRODUCTS

DISTINCTIVE
DESIGNER SERIES

TOWEL BAR WARMERS

PANEL RADIATORS

RADIATORS +
TOWEL WARMERS



PENSOTTI

HOT WATER RADIATORS

- » Space Saving Design
- » Quiet, Comfortable Heating
- » Efficient Heat Transfer
- » Variety of Heights & Lengths
- » 10 Year Warranty

SINGLE PANEL RADIATORS

TECHNICAL INFORMATION

Order No.	Height (in.)	Length (in.)	Depth (in.)	Baseboard Equivalent** (feet)	BTU Output (Avg Water Temp)			Weight (lbs)
					180°F	140°F	110°F	
DD20.16SNG	20	16	2 5/8	3.7	2171	1198	580	22
DD20.20SNG		20		4.7	2714	1497	725	28
DD20.24SNG		24		5.6	3256	1797	870	33
DD20.28SNG		28		6.5	3799	2096	1015	38
DD20.32SNG		32		7.5	4342	2396	1160	44
DD20.36SNG		36		8.4	4884	2695	1305	49
DD20.40SNG		40		9.4	5427	2994	1450	54
DD20.48SNG		48		11.2	6512	3593	1740	65
DD20.56SNG		56		13.1	7598	4192	2030	75
DD20.64SNG		64		15	8683	4791	2320	86
DD20.72SNG		72		16.8	9769	5390	2610	97
DD24.16SNG		24		16	2 5/8	4.3	2497	1373
DD24.20SNG	20		5.4	3122		1717	828	32
DD24.24SNG	24		6.5	3746		2060	993	38
DD24.28SNG	28		7.5	4370		2403	1159	44
DD24.32SNG	32		8.6	4995		2747	1324	50
DD24.36SNG	36		9.7	5619		3090	1490	57
DD24.40SNG	40		10.8	6243		3433	1656	63
DD24.44SNG	44		11.8	6868		3777	1821	69
DD24.48SNG	48		12.9	7492		4120	1987	75
DD24.56SNG	56		15.1	8741		4807	2318	87
DD24.64SNG	64		17.2	9989		5494	2649	100
DD24.72SNG	72		19.4	11238		6180	2980	112

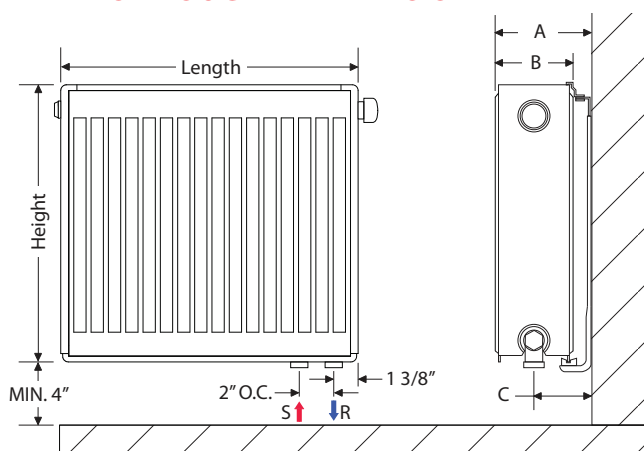


Four different radiator valves are available to make system design, installation and maintenance quick and easy



Pensotti Snap-Grip mounting brackets make radiator installation and removal a snap

RADIATOR ROUGH-IN DIMENSION



Radiator Dimensions				
Radiator Model	Height (inches)	A	B	C
Single	20 24	3 3/4"	2 5/8"	2 1/2" o.c.
Double	12 16 20 24 36	5 1/4"	4 1/8"	3 1/4" o.c.



- Installation in closed-loop hot water systems only
- Max operating temperature - 250°F
- Max operating pressure - 145 psi
- Not for use in steam systems
- Radiator can be turned 180° to allow for either left or right hand pipe connections

DOUBLE PANEL RADIATORS

TECHNICAL INFORMATION

Order No.	Height (in.)	Length (in.)	Baseboard Equivalent** (feet)	BTU Output (Avg Water Temp)			Weight (lbs)
				180°F	140°F	110°F	
DD12.16DBL	12	16	3.3	1934	1068	519	17
DD12.24DBL		24	5.0	2900	1600	781	24
DD12.32DBL		32	6.7	3866	2133	1041	31
DD12.40DBL		40	8.3	4831	2661	1300	39
DD12.48DBL		48	10.0	5800	3200	1559	46
DD12.56DBL		56	11.7	6766	3733	1819	53
DD12.64DBL		64	13.3	7732	4265	2081	60
DD16.16DBL	16	16	4.2	2418	1331	648	23
DD16.20DBL		20	5.2	3022	1665	812	28
DD16.24DBL		24	6.3	3626	1999	972	33
DD16.28DBL		28	7.3	4231	2330	1136	38
DD16.32DBL		32	8.3	4835	2665	1297	43
DD16.36DBL		36	9.4	5440	2996	1460	48
DD16.40DBL		40	10.4	6044	3330	1621	52
DD16.44DBL		44	11.5	6648	3665	1784	57
DD16.48DBL		48	12.5	7253	3995	1945	63
DD16.56DBL		56	14.5	8417	4668	2274	75
DD16.64DBL		64	16.6	9620	5334	2599	85
DD16.72DBL		72	18.7	10822	6000	2923	96
DD20.16DBL		20	16	5.0	2876	1583	771
DD20.20DBL	20		6.2	3593	1979	962	34
DD20.24DBL	24		7.4	4313	2375	1153	40
DD20.28DBL	28		8.7	5033	2771	1347	46
DD20.32DBL	32		9.9	5749	3166	1539	53
DD20.36DBL	36		11.2	6469	3562	1733	58
DD20.40DBL	40		12.4	7186	3958	1924	64
DD20.44DBL	44		13.6	7906	4354	2115	71
DD20.48DBL	48		14.9	8626	4746	2310	76
DD20.56DBL	56		17.3	10013	5546	2698	91
DD20.64DBL	64		19.7	11440	6335	3080	105
DD20.72DBL	72		22.2	12871	7127	3466	116
DD24.16DBL	24		16	5.7	3310	1819	884
DD24.20DBL		20	7.1	4135	2276	1105	40
DD24.24DBL		24	8.6	4964	2730	1327	48
DD24.28DBL		28	10.0	5790	3183	1546	56
DD24.32DBL		32	11.4	6619	3641	1767	66
DD24.36DBL		36	12.8	7445	4094	1989	75
DD24.40DBL		40	14.3	8270	4548	2211	81
DD24.44DBL		44	15.7	9100	5002	2429	89
DD24.48DBL		48	17.1	9926	5459	2651	97
DD24.56DBL		56	20.0	11580	6367	3095	114
DD24.64DBL		64	22.8	13235	7278	3535	130
DD24.72DBL		72	25.7	14890	8190	3978	149
DD36.16DBL		36	16	7.8	4541	2457	1170
DD36.20DBL	20		9.8	5678	3071	1464	56
DD36.24DBL	24		11.7	6814	3685	1757	72
DD36.32DBL	32		15.7	9083	4913	2341	88

Pensotti Panel Radiators combine the comfort of radiant heat with an elegant contemporary design. These attractive radiators have been providing unsurpassed comfort and efficiency in European homes for more than 40 years. Because they are extremely versatile they can be used as a primary heating system, a supplement to a radiant floor system, or in conjunction with traditional heating sources.

Virtually silent in operation, Pensotti Panel Radiators eliminate the noises associated with other types of heating systems. Unlike conventional baseboard which provides only convective heat, panel radiators emit both radiant and convective heat to produce a blanket of unequaled warmth.

Wall mounted and uniquely designed, Pensotti Panel Radiators are durable, easy to clean and reduce the areas where household dirt and dust might collect. Requiring just one quarter the amount of wall space when compared to conventional baseboard, more flexibility is allowed in room design and furniture placement.

**DOWNLOAD OUR FREE
RADIATOR SELECTOR APP
(PENSOTTI)**



** Baseboard equivalent is calculated using an average water temp of 180°F @ 580 BTU per ft. of baseboard.

TOWEL BAR WARMERS



TECHNICAL INFORMATION

Order No.	Style	Length (in.)	Height (in.)	BTU Output*	Finish Color	Weight (lbs)
Straight						
PTW24.30SW	Straight	24	30	1584	WHITE	14
PTW24.48SW			48	2464	WHITE	21
PTW24.60SW			60	3081	WHITE	26
PTW24.72SW			72	3731	WHITE	31
Curved						
PTW24.30CW	Curved	24	30	1621	WHITE	14
PTW24.60CW			60	3126	WHITE	26
PTW24.72CW			72	3775	WHITE	31
PTW24.48CC			48	1714	CHROME	21
PTW24.60CC			60	2139	CHROME	26
PTW24.72CC			72	2556	CHROME	31

*Based on 180 average water temperature

Pensotti Towel Warmers provide just the right combination of stylish European design and efficient functionality at an economical price.

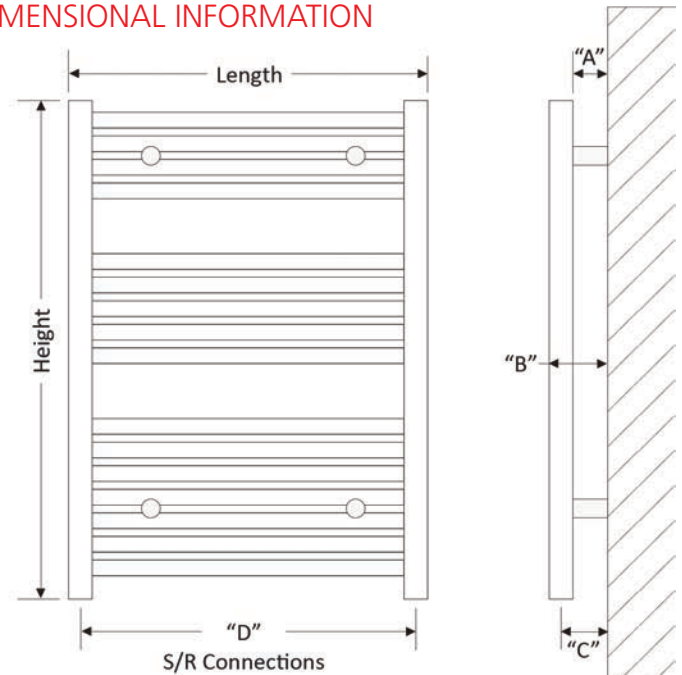
The Pensotti Towel Warmer can be used anywhere in the home but is perfectly sized for providing additional heat in bathrooms. Available in both straight and curved designs with white and chrome finish options, with a variety of heights and BTU outputs the Pensotti Towel Warmers will accommodate almost every space.

All Pensotti Towel Warmers feature bottom pipe connections and include the mounting hardware. Multiple valve and pipe adapter options to accommodate all piping scenarios are available separately.

When using the optional TRV valves Individual temperature control is possible, for added comfort and efficiency.

All Pensotti Towel Bar Warmers have a 5-Year Warranty

DIMENSIONAL INFORMATION



Towel Bar Warmer	Length	A	B	C	D
Straight	23 1/4"	2 1/8"	3 3/8"	2" o.c.	21 7/8" o.c.
Curved	23 1/2"	1 1/34"	4"	2" o.c.	21 13/16" o.c.



Granby Heating Products LLC
34, Coffin Ave. P.O. BOX 3358
Brewer Maine (04412)

@ pensottisales@granbyindustries.com
W granbyindustries.com