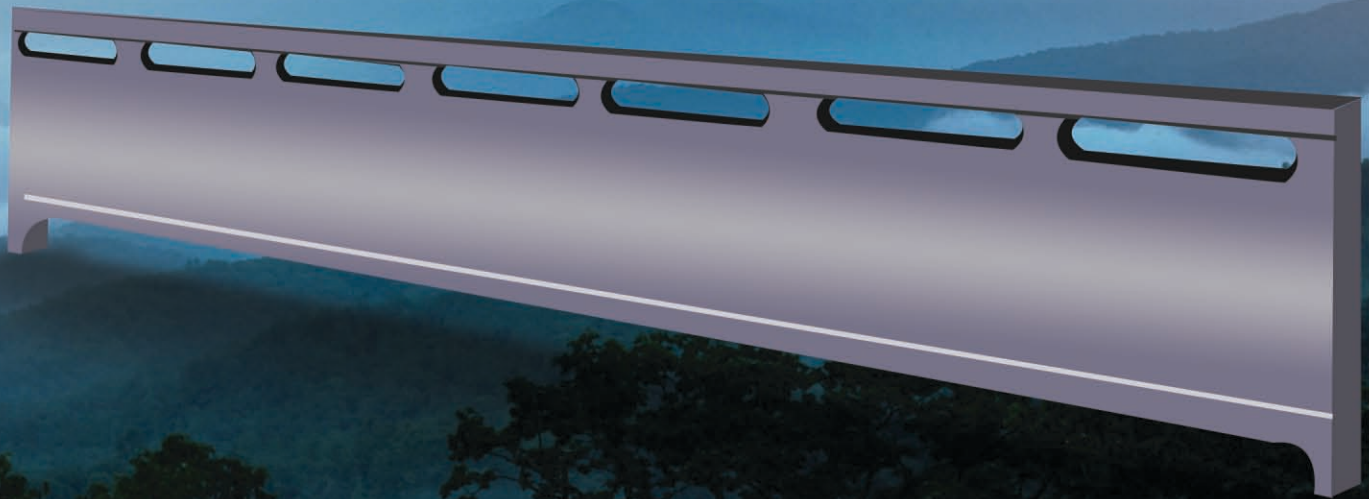


# SNUG BASEBOARD

- **UNIFORM ROOM TEMPERATURE**
- **DESIGNED FOR MAXIMUM COMFORT**
- **SIMPLE, PAINTABLE, ATTRACTIVE**
- **DURABLE CAST IRON MATERIAL**



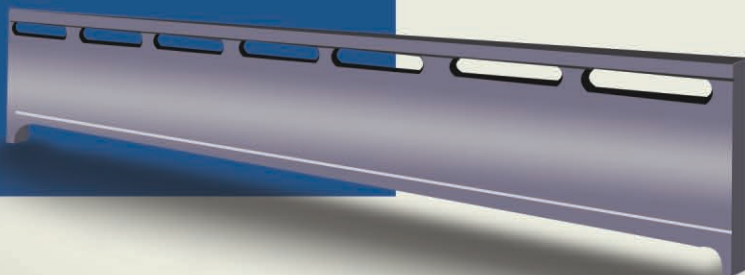
**WEIL-McLAIN**

[www.weil-mclain.com](http://www.weil-mclain.com)

# Cast Iron Baseboard

Weil-McLain Snug Cast Iron Baseboards satisfy the standards of good engineering. It is essential for comfort that the cold outer wall be blanketed as extensively as possible with a source of heat, Weil-McLain baseboard panels most effectively fulfill this requirement.

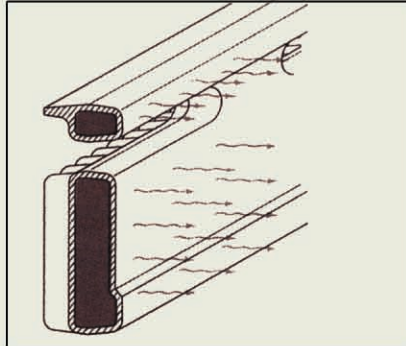
Weil-McLain Snug Baseboard is available for use with existing or gravity systems. They are installed along the outer walls where their combination of radiant and convected heat neutralizes cold downdrafts from the windows as well as it warms the cold wall. Seamlessly solving the heating problem setup by the modern trend large glass areas.



## Uniform Room Temperature From Floor To Ceiling

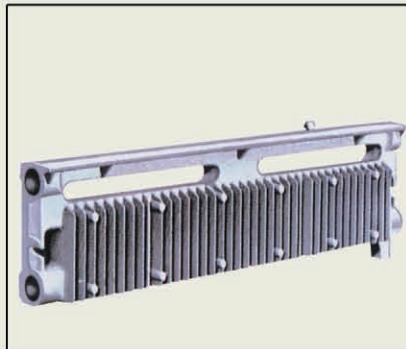
Room temperature uniformity is one gauge of a heating system's desirability. Extensive experimental work shows that in a baseboard-heated home, the temperature differential between floor and ceiling averages about 3°—a much smaller difference than normally observed forced air systems.

Radiant baseboard panels warm the outside walls so that Mean Radiant Temperature (MRT, or weighted average of all room surface temperatures) remains nearly constant despite wide variations in outdoor temperature. This is a distinct comfort advantage, as the MRT of buildings heated by other means usually decrease as the outdoor temperature falls, necessitating a higher air temperature to offset the increased radiant heat loss of the occupants. Therefore, since the radiant heat emission of cast iron baseboards remains practically fixed, controlling the air temperature with an ordinary room thermostat is sufficient to maintain the proper relationship between radiant and convected heat for maximum occupant comfort.



## "Live Front" Radiates Heat

The sustained "live front" heating of Weil-McLain Snug Baseboards has an important bearing on comfort. The unusually large waterways and cast iron construction of these units provide a reservoir of stored heat which prevents a sharp drop in temperature when the thermostat shuts off the heat supply.



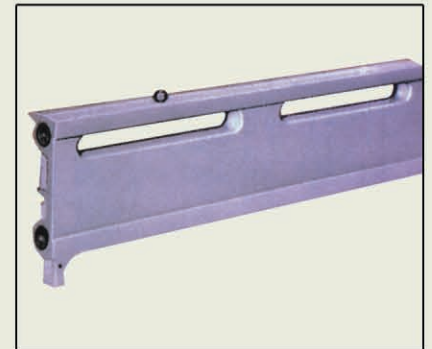
## Finned Rear Surface

For balanced heating, a portion of convected heat is necessary to supplement the radiant heat emission. Weil-McLain Snug Baseboards are well equipped, where the fins in the rear of the units provide an ample surface to emit warmed air.



## Simple, Attractive Design

Weil-McLain Snug Baseboards are distinguished by classic simplicity of design... neat, attractive corners and extension panels. They occupy a minimum of space.



## Air Vent Is Located In Best Position

This is an exclusive Weil-McLain feature. The air vent is located at the top of the baseboard—the best location for the efficient venting. It is easily accessible, yet does not interfere with the room decor.



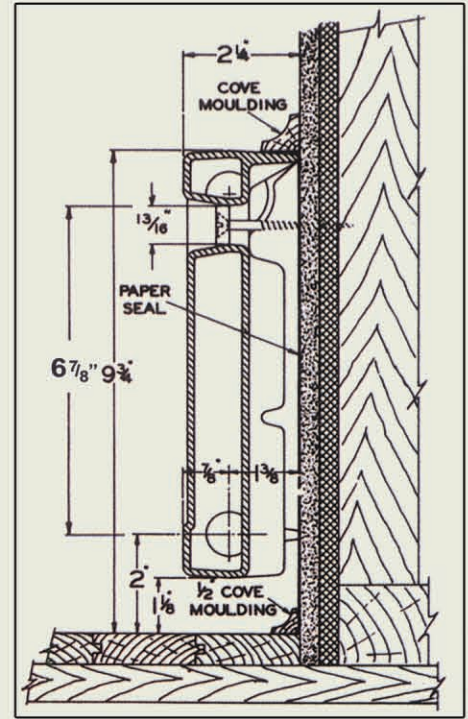
# Cast Iron Baseboard Ratings



## No. 9 Snug Baseboard Panels\*

Panel Length Linear Feet	HOT WATER RATINGS IN BTU/HR.**										
	500 Lbs. Per Hour Flow Rate										
	Average Water Temperatures Between Inlet & Outlet										
	110°F*	120°F*	130°F*	140°F*	150°F	160°F	170°F	180°F	190°F	200°F	215°F
1/2***	82	105	133	160	195	225	255	285	320	350	400
1	164	211	265	320	390	450	510	570	640	700	800
2	328	421	530	640	780	900	1020	1140	1280	1400	1600
3	491	632	796	959	1170	1350	1530	1710	1920	2100	2400
4	655	842	1061	1279	1560	1800	2040	2280	2560	2800	3200
5	819	1053	1326	1599	1950	2250	2550	2850	3200	3500	4000
6	983	1264	1591	1919	2340	2700	3060	3420	3840	4200	4800
7	1147	1474	1856	2239	2730	3150	3570	3990	4480	4900	5600
8	1310	1685	2122	2558	3120	3600	4080	4560	5120	5600	6400
9	1474	1895	2387	2878	3510	4050	4590	5130	5760	6300	7200
10	1638	2106	2652	3198	3900	4500	5100	5700	6400	7000	8000
11	1802	2317	2917	3518	4290	4950	5610	6270	7040	7700	8800
12	1966	2527	3182	3838	4680	5400	6120	6840	7680	8400	9600
13	2129	2738	3448	4157	5070	5850	6630	7410	8320	9100	10400
14	2293	2948	3713	4477	5460	6300	7140	7980	8960	9800	11200
15	2457	3159	3978	4797	5850	6750	7650	8550	9600	10500	12000
16	2621	3370	4243	5117	6240	7200	8160	9120	10240	11200	12800
17	2785	3580	4508	5437	6630	7650	8670	9690	10880	11900	13600
18	2948	3791	4774	5756	7020	8100	9180	10260	11520	12600	14400
19	3112	4001	5039	6076	7410	8550	9690	10830	12160	13300	15200
20	3276	4212	5304	6396	7800	9000	10200	11400	12800	14000	16000
21	3440	4423	5569	6716	8190	9450	10710	11970	13440	14700	16800
22	3604	4633	5834	7036	8580	9900	11220	12540	14080	15400	17600
23	3767	4844	6100	7355	8970	10350	11730	13110	14720	16100	18400
24	3931	5054	6365	7675	9360	10800	12240	13680	15360	16800	19200
25	4095	5265	6630	7995	9750	11250	12750	14250	16000	17500	20000

## Dimensions



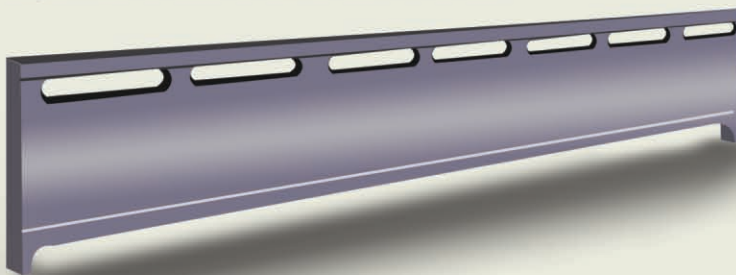
NOTES:  
 3/4" NPT tappings  
 50 PSI maximum allowable working pressure  
 Water content is .33 gallons per foot

\*Ratings at 140 F and lower temperatures determined by multiplying 150 F ratings by the applicable factor specified in Table E "Baseboard Performance at low water temperatures" in the I=B=R Testing and Rating Standard for Baseboard radiation.  
 \*\*Ratings are assigned based on tests conducted in accordance with the I=B=R Testing and Rating Code for Baseboard Radiation and include the 15% allowance permitted by the Code. Ratings are based on active length which is the same as total length.  
 \*\*\*Snug Baseboard Panels are available in 6-inch increments. The capacity of 6-inch lengths can be calculated by adding 1/2 ft. rating to the even foot panel rating. Example: at 190° avg. water temperature, a 15 1/2 ft. No. 9 panel rating is 9600+320=9920 BTU/Hr.

## Maximum Baseboard Length For Gravity Hot Water

Pipe Size & Baseboard Location	Snug No.	Maximum Length of Snug Baseboard That May Be Used On 2-Pipe Gravity Hot Water at Various Temperatures*									
		215	210	205	200	195	190	185	180	175	170
1/2" First Floor	9	3	4	4	4	4	4	5	5	5	6
1/2" Second Floor	9	6	6	6	7	7	7	8	8	9	9
3/4" First Floor	9	8	9	9	10	10	11	11	12	13	13
3/4" Second Floor	9	12	13	13	14	15	15	16	17	18	19

\*Length of panels in linear feet.  
 The maximum permissible panel length refers to a single set of runouts. If two or more assemblies are connected in series and supplied by only two runouts, the sum of their lengths should not exceed the maximum shown in the table.



## Snug Baseboard Capacity Factors and Pressure Drop Data For Performance At Various Flow Rates (Including Pressure drop data for 3/4" steel pipe)

Flow Rate Lbs./Hr.	G.P.M.	Cw*	Pressure Drops (Millinches H2O)		
			Per ft. of 3/4" Pipe	Entrance and Exit	Additional/Ft.
500	1.0	1.000	40	65	15.5
750	1.5	1.016	87	140	32.0
1000	2.0	1.028	148	245	52.5
1250	2.5	1.038	224	375	79.5
1500	3.0	1.045	315	500	109.5
1750	3.5	1.051	415	680	148.0
2000	4.0	1.057	535	870	188.0
2250	4.5	1.062	670	1090	233.0
2500	5.0	1.067	810	1300	288.0
3000	6.0	1.074	1120	1825	395.0

\* On a completely designed system where the flow rate is known, the capacity at that flow rate may be obtained by multiplying the corresponding "Cw" factor times the capacity at the standard 500 lbs./Hr. flow rate. Otherwise, use the 500 lbs./Hr. rating.

Pressure drop of Snug Baseboard Panels may be obtained at any of the above listed flow rates by adding the entrance and exit drop to the panel length in feet times the additional drop per foot.

Example of above table use:  
 A 24 foot #9 Snug Baseboard Panel will be operating with 190°F average water temperature at a 2500 Lbs./Hr. flow rate. What is the expected capacity? What is the expected pressure?

$$\begin{aligned} \text{Capacity} &= (15,360) (1.067) = 16,389 \text{ BTU/Hr.} \\ \text{Pressure Drop} &= 1300 + (24) (288) \\ &= 1300 + 6912 = 8212 \text{ millinches H}_2\text{O} \\ &\text{or } \frac{8212}{12000} = 0.684 \text{ ft. H}_2\text{O} \end{aligned}$$

## Assembly Table

Snug Baseboard Panels are shipped assembled ready to install in lengths of 6' or less. All longer panels are shipped in two or more assemblies. All panels from 6 1/2' to 12' are shipped in two assemblies; panels from 12 1/2' to 18' in three assemblies and panels from 18 1/2' to 24' in four assemblies.

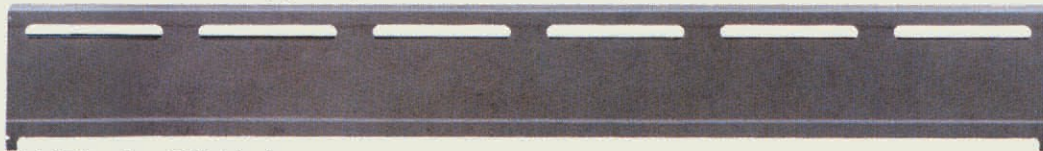
All 5 1/2' left subassemblies consist of one 18" left-hand leg section and two 24" intermediate sections. All 6' left subassemblies consist of one 24" left-hand leg section and two 24" intermediate. All 6' center subassemblies consist of three 24" intermediates. Right subassemblies consist of either a 24" or 12" right-hand leg section and the required number of 24" intermediates.

Panel Lengths	Order Code	Left Subassembly Lengths	Center Subassembly Lengths	Right Subassembly Lengths
*1 ft.	190-100-000	Complete Panel	-	-
*1 1/2 ft.	190-100-002	Complete Panel	-	-
*2 ft.	190-100-004	Complete Panel	-	-
*2 1/2 ft.	190-100-006	1 1/2 ft.	-	1 ft.
*3 ft.	190-100-008	2 ft.	-	1 ft.
*3 1/2 ft.	190-100-010	1 1/2 ft.	-	2 ft.
*4 ft.	190-100-012	2 ft.	-	2 ft.
*4 1/2 ft.	190-100-014	1 1/2 ft.	2 ft.	1 ft.
*5 ft.	190-100-016	2 ft.	2 ft.	1 ft.
*5 1/2 ft.	190-100-018	1 1/2 ft.	2 ft.	2 ft.
*6 ft.	190-100-020	2 ft.	2 ft.	2 ft.
6 1/2 ft.	190-100-022	5 1/2 ft.	-	1 ft.
7 ft.	190-100-024	6 ft.	-	1 ft.
7 1/2 ft.	190-100-026	5 1/2 ft.	-	2 ft.
8 ft.	190-100-028	6 ft.	-	2 ft.
8 1/2 ft.	190-100-030	5 1/2 ft.	-	3 ft.
9 ft.	190-100-032	6 ft.	-	3 ft.
9 1/2 ft.	190-100-034	5 1/2 ft.	-	4 ft.
10 ft.	190-100-036	6 ft.	-	4 ft.
10 1/2 ft.	190-100-038	5 1/2 ft.	-	5 ft.
11 ft.	190-100-040	6 ft.	-	5 ft.
11 1/2 ft.	190-100-042	5 1/2 ft.	-	6 ft.
12 ft.	190-100-044	6 ft.	-	6 ft.

\*Complete panels shipped assembled.

Panel Lengths	Order Code	Left Subassembly Lengths	Center Subassembly Lengths	Right Subassembly Lengths
12 1/2 ft.	190-100-046	5 1/2 ft.	6 ft.	1 ft.
13 ft.	190-100-048	6 ft.	6 ft.	1 ft.
13 1/2 ft.	190-100-050	5 1/2 ft.	6 ft.	2 ft.
14 ft.	190-100-052	6 ft.	6 ft.	2 ft.
14 1/2 ft.	190-100-054	5 1/2 ft.	6 ft.	3 ft.
15 ft.	190-100-056	6 ft.	6 ft.	3 ft.
15 1/2 ft.	190-100-058	5 1/2 ft.	6 ft.	4 ft.
16 ft.	190-100-060	6 ft.	6 ft.	4 ft.
16 1/2 ft.	190-100-062	5 1/2 ft.	6 ft.	5 ft.
17 ft.	190-100-064	6 ft.	6 ft.	5 ft.
17 1/2 ft.	190-100-066	5 1/2 ft.	6 ft.	6 ft.
18 ft.	190-100-068	6 ft.	6 ft.	6 ft.
18 1/2 ft.	190-100-070	5 1/2 ft.	2-6 ft.	1 ft.
19 ft.	190-100-072	6 ft.	2-6 ft.	1 ft.
19 1/2 ft.	190-100-074	5 1/2 ft.	2-6 ft.	2 ft.
20 ft.	190-100-076	6 ft.	2-6 ft.	2 ft.
20 1/2 ft.	190-100-078	5 1/2 ft.	2-6 ft.	3 ft.
21 ft.	190-100-080	6 ft.	2-6 ft.	3 ft.
21 1/2 ft.	190-100-082	5 1/2 ft.	2-6 ft.	4 ft.
22 ft.	190-100-084	6 ft.	2-6 ft.	4 ft.
22 1/2 ft.	190-100-086	5 1/2 ft.	2-6 ft.	5 ft.
23 ft.	190-100-088	6 ft.	2-6 ft.	5 ft.
23 1/2 ft.	190-100-090	5 1/2 ft.	2-6 ft.	6 ft.
24 ft.	190-100-092	6 ft.	2-6 ft.	6 ft.

## Accessories: Accessory packages are included with complete units.



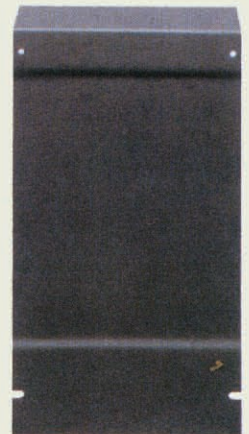
Metal Extension—6' Matched



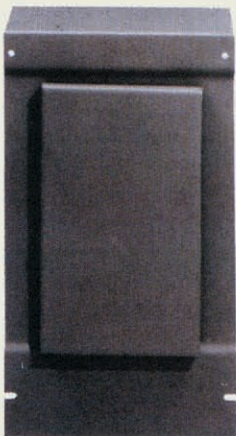
Easy Angle Connector—  
4" & 10" Inside Corner



Metal Extension—3' Plain



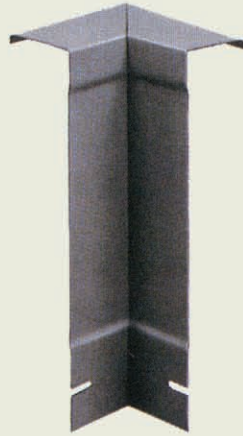
Plain Enclosure—  
5 1/2" & 10"



Valve Enclosure  
With Door



Transition Piece—  
Left & Right



Inside Corner Cover—  
4" & 10"



Splice Piece



Outside Corner Cover



End Cover—  
Left & Right

### Other Accessories:

- Hanger
- Metal Extension
- Assembly Clamp
- Lever Type