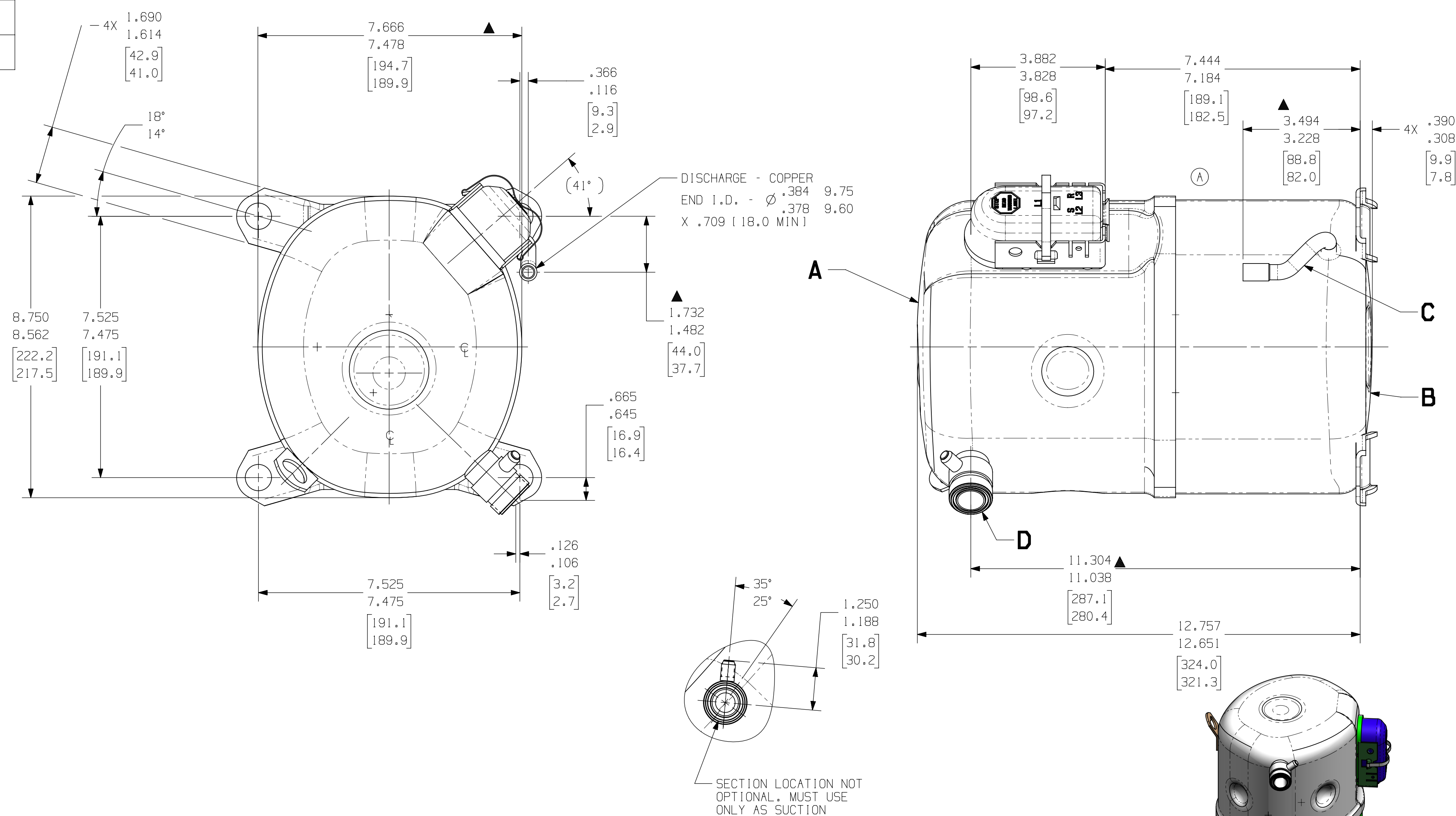


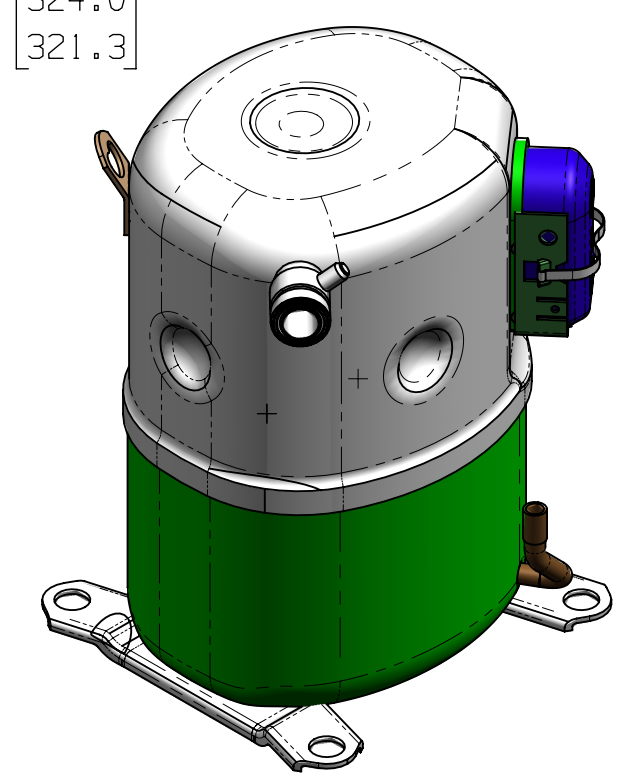
A	HA642-25
B	HA674-03
C	34711
D	40518-1

DWG NO.
DCAW111



- NOTES:
1. IF SPECIFIED ON BILL OF MATERIAL, ASSEMBLE THESE PARTS AS SHOWN.
 2. SEE SPEC. "A-B" AND "A-C" FOR PROCESSING.
 - ▲ 3. MUST COMPLY WITH T.P.CO. GLOBAL SPEC. 08.

DIMENSIONING : INCHES
(MILLIMETERS)



SCALE 1:4

ENGLISH

Q. A. SYMBOLS

- ★ = CATEGORY I
- ▲ = CATEGORY II
- = CATEGORY III
- = CATEGORY IV

EC89282 ATC		BD	12MAR19		T.M.G		06JUL01		DATE		DESCRIPTION		SALES COMPRESSOR		THIS PRINT SUPERSEDES ALL PRINTS PRIOR TO		
REMODELED IN 3D TO MATCH DRAWING		WAS -32		WAS PLUG -9		WAS 2-156-2-406		WAS 54-8-61.1		HINMAN		SHERMAN		TECUMSEH PRODUCTS CO.		DWG NO.	
2B		2B		5E		REL		#233955-151		DWN.		MODELED BY		CHK & APR		SCALE	
D		C		B		A		REL		27MAR97		ON FILE		NOTED		1:2 & NOTED	
MATERIAL												NOTED		DCAW111			