

# Universal Replacement Zone Valve

## RI 3/4 -14 UR



*The Automag Universal RI Zone valve is a cost-effective design that can replace existing zone valves from other manufacturers.*

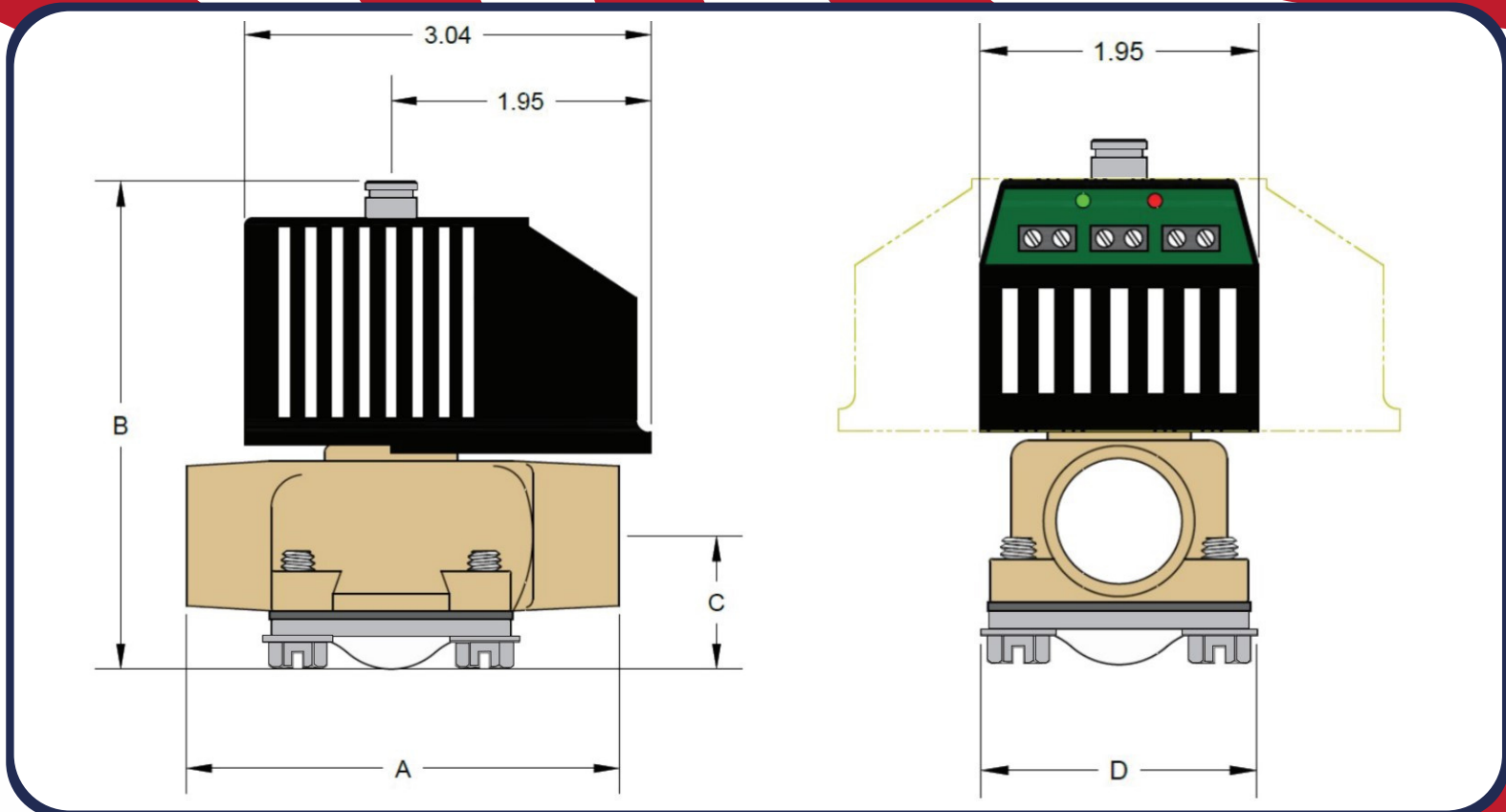
- Normally open valve allows gravity circulation if power fails
- Easy installation with 2-wire or programmable thermostats
- Powered with 24 VAC Transformer Power Supply
- Onboard LED indicator lights, internal relay with dry contacts, and an end switch to enable heat source
- Slow closure, eliminates water hammer
- Replaces any 2-Wire, 3-Wire or 4-Wire Zone Valves
- Available in 3/4" or 1" sweat connection or Press Fittings

**AUTOMAG**<sup>TM</sup>  
ZONE VALVES



[www.automagzonevalves.com](http://www.automagzonevalves.com)

1-855-482-2634



**Application**

|                         |   |  |  |  |  |
|-------------------------|---|--|--|--|--|
| <b>Intended Service</b> | This zone valve is intended for closed-loop hydronic heating or cooling systems.                                      |  |  |  |  |
| <b>Suitable Fluids</b>  | Water or water mixtures with up to 50% propylene-based glycol compounds specifically formulated for hydronic systems. |  |  |  |  |

|                            |               |                            |             |                         |                    |
|----------------------------|---------------|----------------------------|-------------|-------------------------|--------------------|
| <b>Maximum Temperature</b> | 240°F (115°C) | <b>Minimum Temperature</b> | 50°F (10°C) | <b>Maximum Pressure</b> | 125 psig (8.6 bar) |
|----------------------------|---------------|----------------------------|-------------|-------------------------|--------------------|

**Materials**

|                   |                          |                     |               |
|-------------------|--------------------------|---------------------|---------------|
| <b>Valve Body</b> | Brass                    | <b>Stem Seal</b>    | Rubber        |
| <b>Valve Base</b> | Stainless Steel          | <b>Valve Seat</b>   | Viton         |
| <b>Shaft</b>      | Magnetic Stainless Steel | <b>Head Housing</b> | Polycarbonate |

**Electrical**

|                       |             |                  |       |
|-----------------------|-------------|------------------|-------|
| <b>Supply Voltage</b> | 24 Volts AC | <b>Frequency</b> | 60 Hz |
|-----------------------|-------------|------------------|-------|

| Pipe Size (Sweat) | Pump Head (feet) | Max. Flow (gpm) | Coil No. | Power (VA) | Dimensions (in) |      |      |      | Weight (lbs) |
|-------------------|------------------|-----------------|----------|------------|-----------------|------|------|------|--------------|
|                   |                  |                 |          |            | A               | B    | C    | D    |              |
| 3/4"              | 14               | 4.5             | #31      | 8          | 3.20            | 3.59 | 1.10 | 1.85 | 1.31         |
| 3/4"              | 25               | 6               | #29      | 10         | 3.20            | 3.59 | 1.10 | 1.85 | 1.43         |
| 1"                | 16               | 8               | #29      | 10         | 3.62            | 3.63 | 1.15 | 2.25 | 1.81         |

**AUTOMAG™**  
**ZONE VALVES**

