



## Residential Oil-Fired Water Heaters



### **Turboflue<sup>®</sup>** heat exchanger

- ◆ Energy-Saving Turbofins conduct more heat into water
- ◆ Robust single-flue design yields a stronger, more durable tank

- ◆ 20 to 113 gallon capacities
- ◆ 60,000 to 155,000 BTU/H
- ◆ *Coglass<sup>®</sup>* Cobalt-enriched glass-lined tank
- ◆ Dual magnesium anode rods to inhibit corrosion

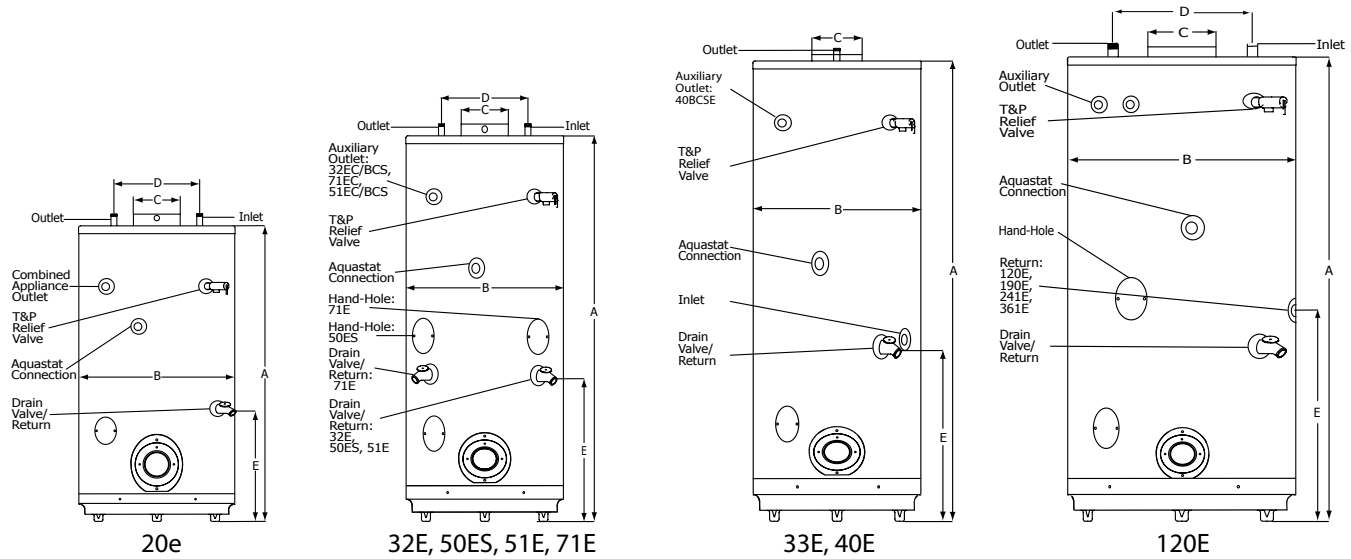
The popular Bock<sup>®</sup> 32E *leads* the industry in Energy Efficiency with a **.63 EF rating** and **170 gallons** first hour delivery.

**Five-Year limited warranty on residential installations**  
**Three-Year limited warranty on commercial installations**

*We take water heaters very personally!*

# BOCK Oil-Fired

This product is available from:



Model	Storage GAL (L)	Rated Input BTU/HR (kW)	Recovery @ Δ 90°F (32° C) GAL/HR (L/HR)	Max. Temp Setting °F (°C)	Inlet Pipe Dia. NPT	Outlet Pipe Dia. NPT	Return Pipe Dia. NPT	Dimensions in Inches (cm)					Shipping Weight LBS (kg) ***	
								A	B	C	D	E	Standard	ASME
20e	20 (75.71)	60,000 (17.58)	66 (249.84)	160 (71.11)	.75	.75	.75	38.25 (97.16)	20.00 (50.80)	6.00 (15.24)	11.00 (27.94)	14.75 (37.47)	200 (90.72)	N/A
32E	32 (121.13)	104,000 (30.48)	114 (431.54)	160 (71.11)	.75	.75	.75	51.00 (129.5)	20.00 (50.8)	6.00 (15.24)	11.00 (27.9)	17.00 (43.18)	225 (102.06)	N/A
33E	33 (124.962)	104,000 (30.48)	111 (420.18)	160 (71.11)	.75	.75	.75	43.25 (109.9)	24.00 (60.9)	6.00 (15.2)	N/A	17.25 (43.8)2	235 (106.59)	N/A
40E	40 (151.42)	126,000 (36.93)	136 (514.82)	160 (71.11)	.75	.75	1.00	61.00 (154.9)	20.00 (50.8)	6.00 (15.2)	N/A	18.00 (45.72)	260 (117.93)	N/A
50ES	50 (189.27)	140,000 (41.03)	151 (571.60)	160** (71.11)	1.00	1.50	1.50	52.00 (132.1)	26.00 (66.0)	6.00 (15.2)	13.50 (34.3)	18.50 (46.99)	305 (138.35)	N/A
51E	50 (189.27)	152,000 (44.55)	161 (609.45)	160** (71.11)	1.00	1.00	.75	59.00 (149.9)	24.00 (60.9)	6.00 (15.2)	11.00 (27.9)	18.00 (45.72)	305 (138.35)	N/A
71E	68 (257.41)	173,000 (50.70)	177 (670.02)	160** (71.11)	1.00	1.50*	1.50*	66.00 (167.6)	26.00 (66.0)	6.00 (15.2)	13.50 (34.3)	22.00 (55.88)	355 (161.03)	N/A
120E	113 (427.75)	155,000 (45.43)	163 (617.02)	180 (82.22)	1.00	2.00	2.00	67.00 (170.2)	31.50 (80.0)	6.00 (15.2)	19.00 (48.3)	22.00 (55.88)	660 (299.37)	N/A

NOTE: 32E First Hour Rating = 170 Gallons

- \*Nipple not included
- \*\*Optional setting, contact factory
- \*\*\*Weight does not include burner and controls



**T&P valve and brass drain valve factory installed**  
**Standard Voltage (all):** 120V, 60 Hz, 1P  
**Working Pressure:** 150 psi (1034 kPa); **Test Pressure:** 300 psi (2068 kPa)  
 All Bock products meet or exceed current ASHRAE standards.

**Warning:** Do not install on combustible flooring. Installation should be in accordance with all national and/or local codes. In the absence of local codes, refer to NFPA 31 or ANSI Z.21.10.1.

**Caution:** The recommended maximum hot water temperature setting for normal residential use is 120°F. Bock recommends a tempering valve or anti-scald valve be installed and used according to the manufacturer's directions to prevent scalding.